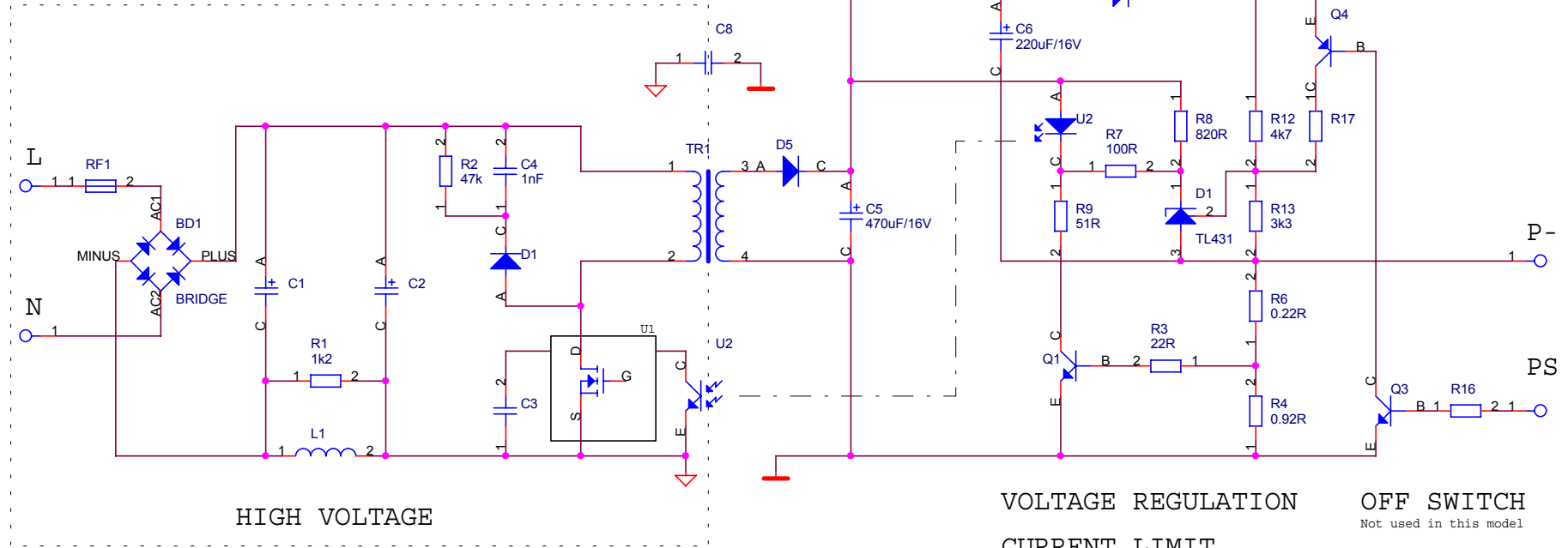


HAMA

MODEL NO. TA03C

INPUT: 100-240Vac 50-60Hz 200mA

OUTPUT: 10Vdc 350mA Max 3.5W



Firma <b>MLAB</b>		Author MIHO	
Size A4	Project Name <b>POWER SUPPLY</b>	Schematic Name CITIPACK TA-03B	Rev 0.0
Date: Saturday, April 30, 2005	Sheet 1 of 1		