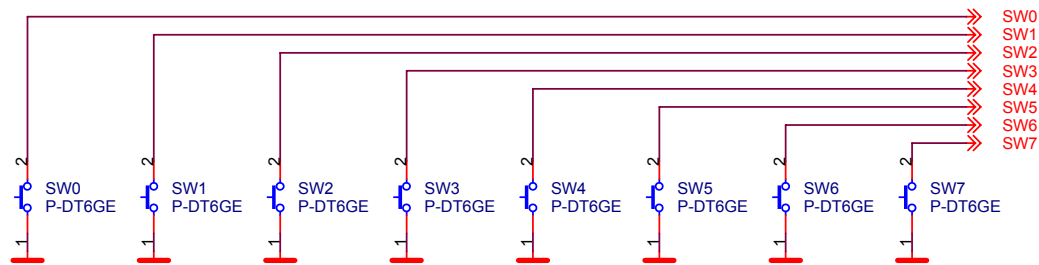


TRAIN01A

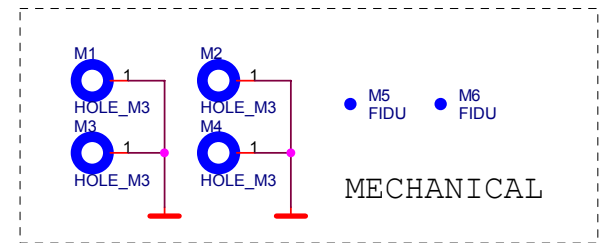
Simple Train Controller

History

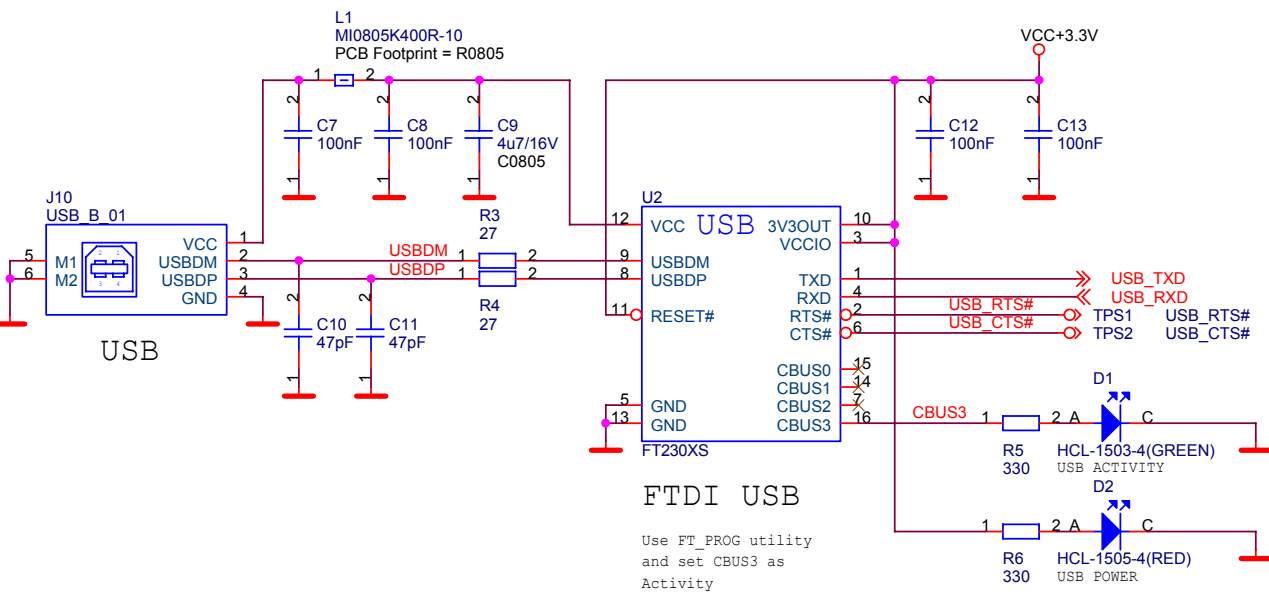
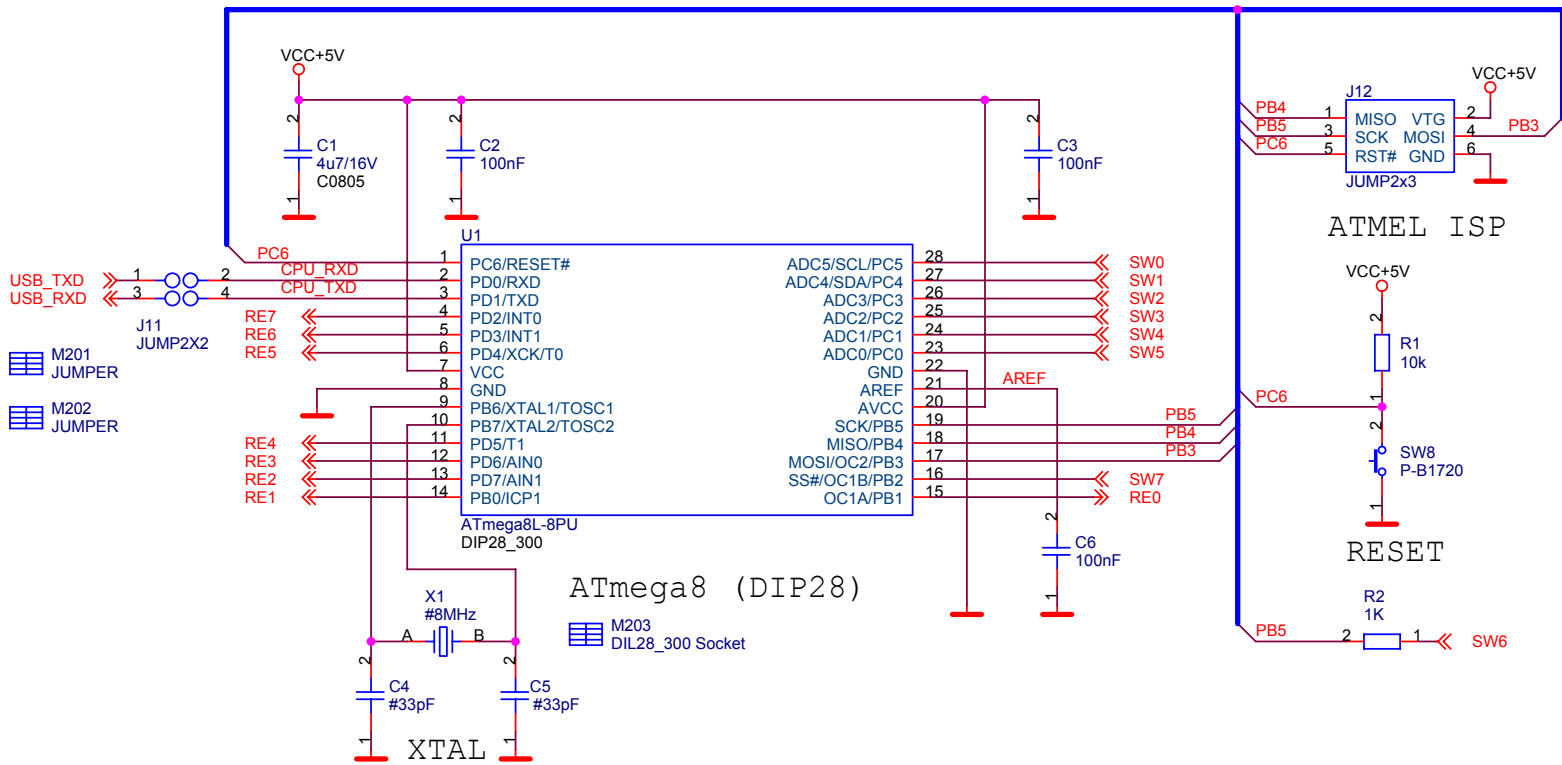
1.0 First Version



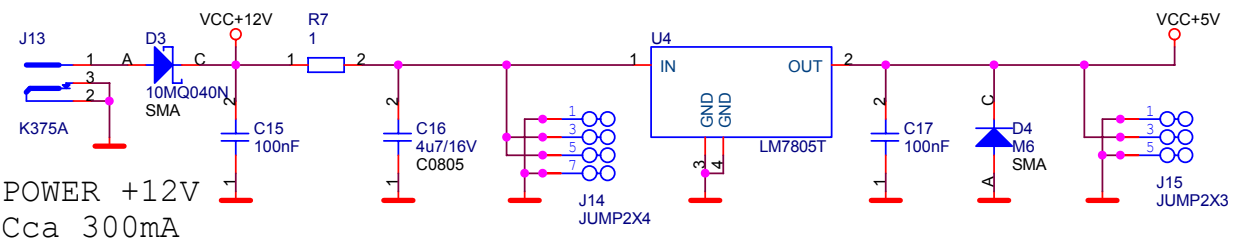
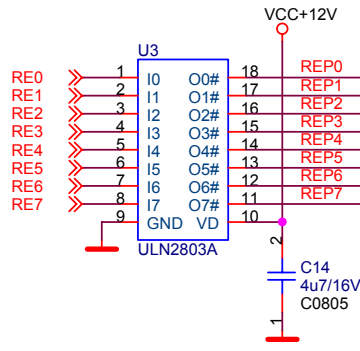
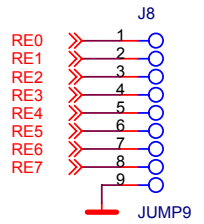
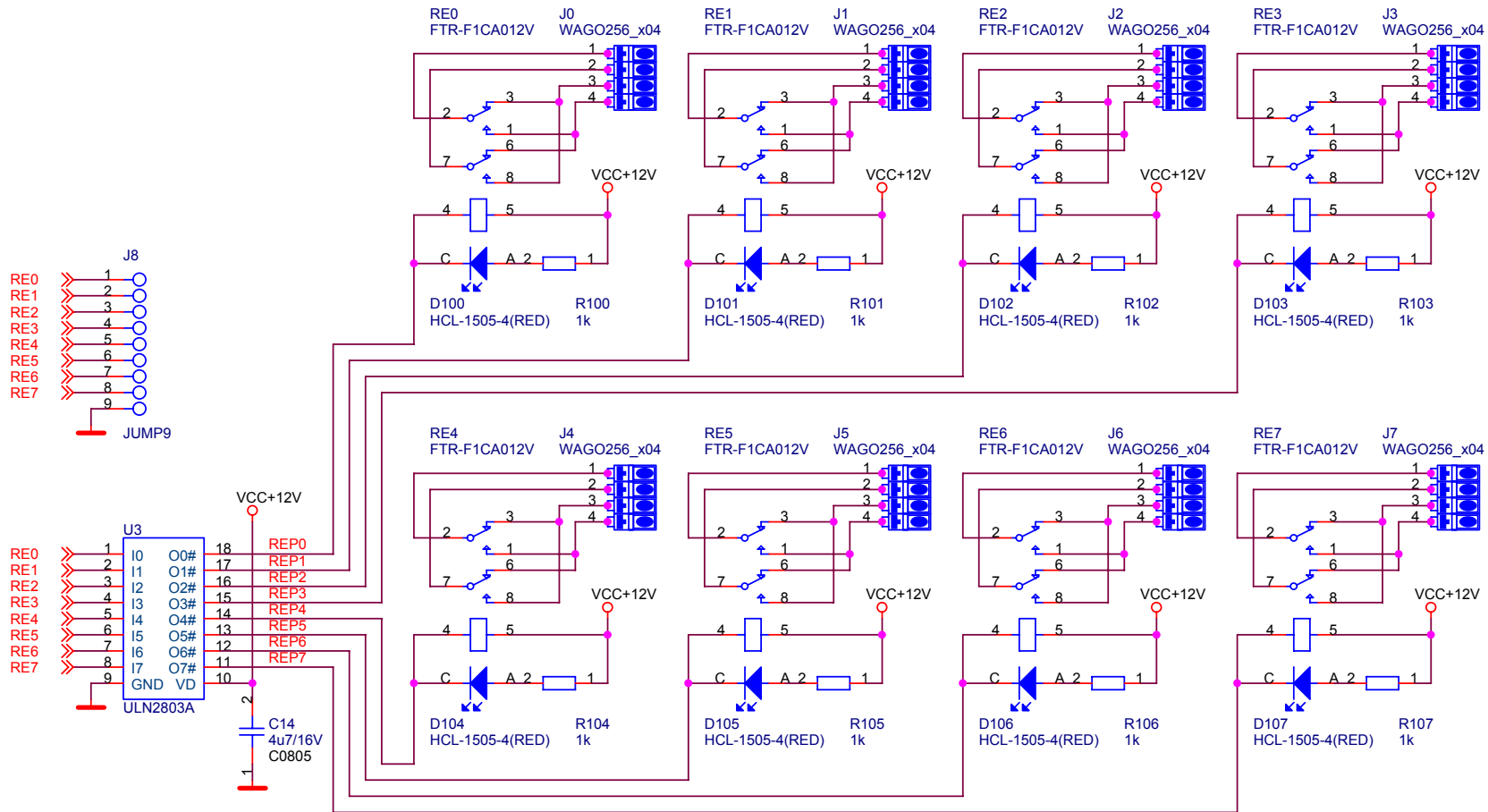
PUSH BUTTONS



Firma MLAB		Author MIHO	
Size A4	Project Name MLAB	Schematic Name TRAIN01A	Rev 1.0
Date: Tuesday, May 28, 2013	Sheet 1 of 4		



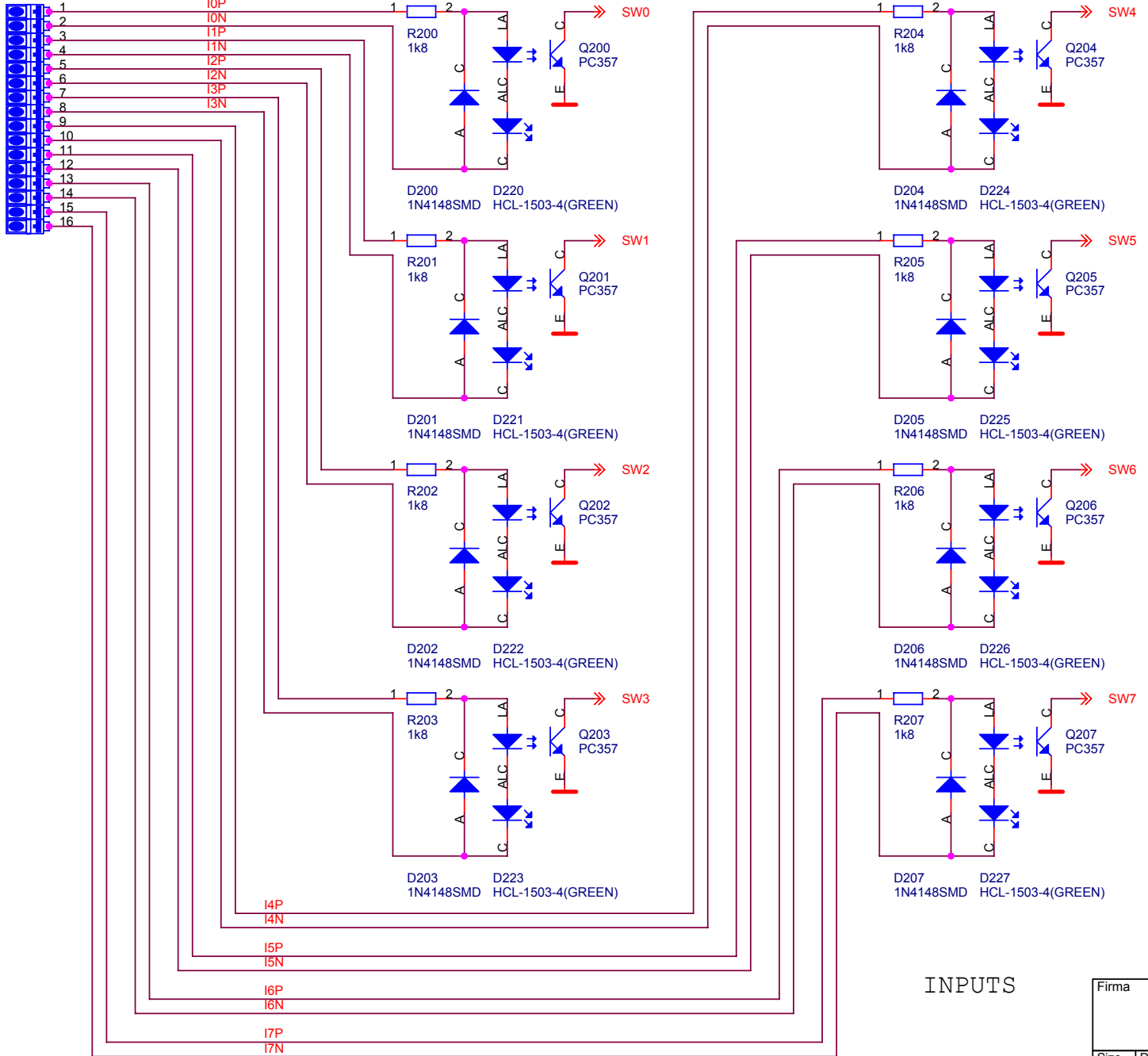
Firma		Author	
MLAB		MIHO	
Size	Project Name	Schematic Name	Rev
A4	MLAB	TRAIN01A	1.0
Date:	Tuesday, May 28, 2013	Sheet	2 of 4
			1



POWER +12V
Cca 300mA

Firma		Author	
MLAB		MIHO	
Size A4	Project Name MLAB	Schematic Name TRAIN01A	Rev 1.0
Date: Tuesday, May 28, 2013	Sheet 3 of 4		

J9
WAGO256_x16



$$R = (U_{max} - 3V) / 0.005A$$

12V --> 1k8 / 80mW
24V --> 2k2 / 250mW

INPUTS

Firma		Author	
MLAB		MIHO	
Size	Project Name	Schematic Name	Rev
A4	MLAB	TRAIN01A	1.0
Date:	Tuesday, May 28, 2013	Sheet	4 of 4
	2		1