

CT01A

History

1.00 First version

1.01 Corrections

Errata:

Place C 100nF between Q2.C and Q2.B

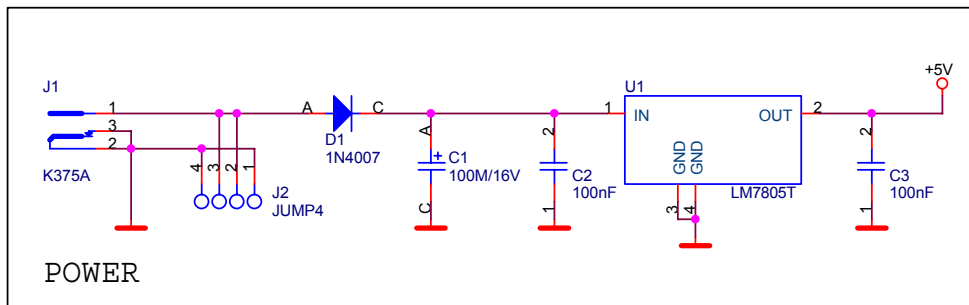
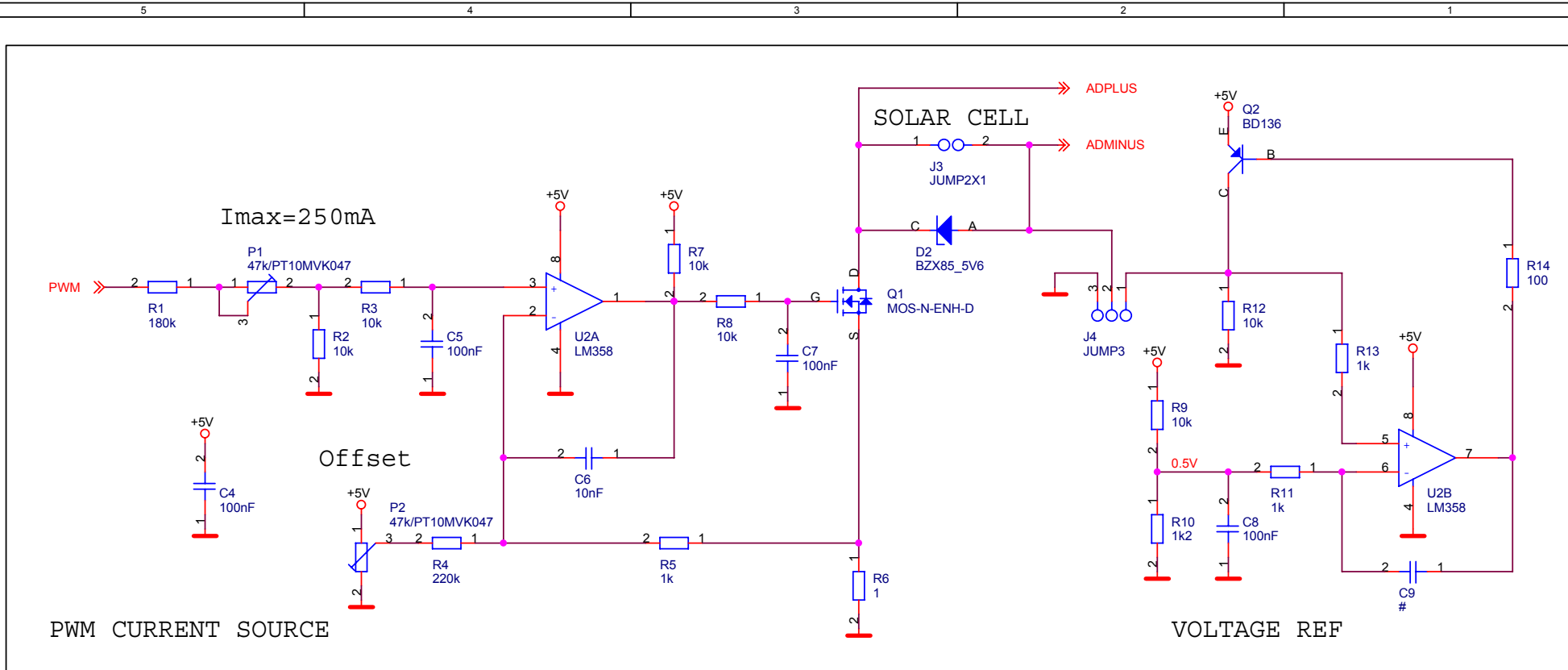
Place C 100nF between R12.1 and R12.2

Place C 100nF between U3.17 and GND

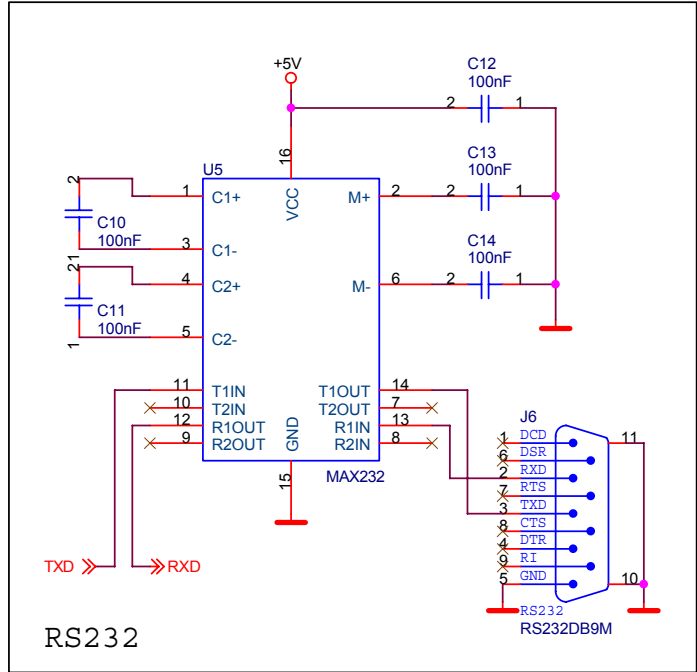
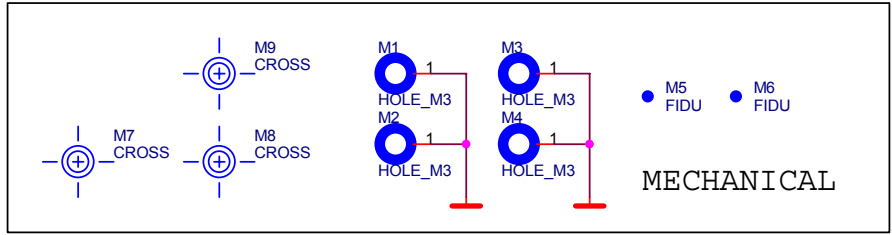
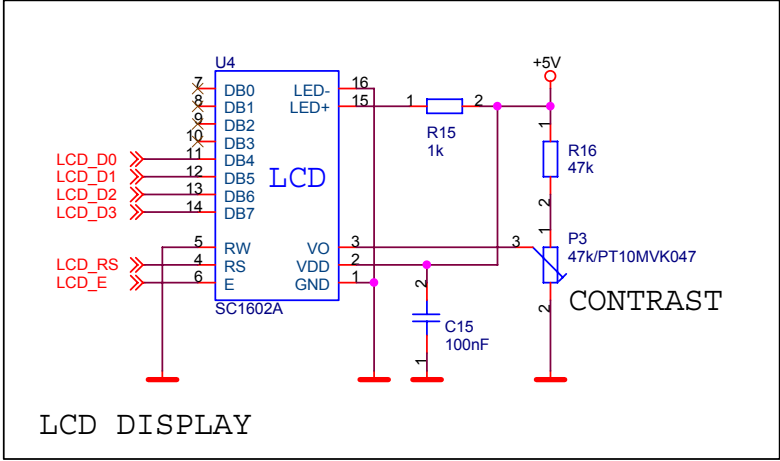
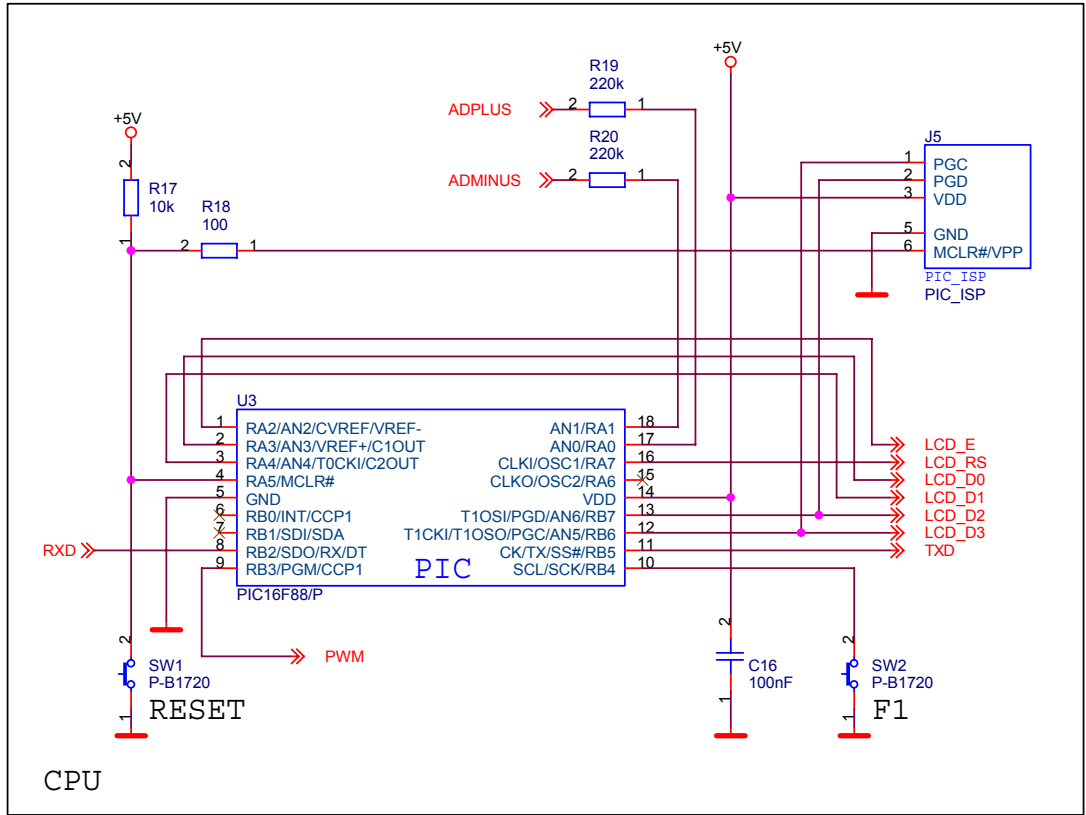
Place C 100nF between U3.18 and GND

Place C 47uF between R12.1 and R12.2

Firma		Author	
MLAB		MIHO	
Size	Project Name	Schematic Name	Rev
A4	MLAB	CT01A	1.01
Date:	Saturday, January 29, 2005	Sheet	1 of 3
	2		1



Firma		Author	
MLAB		MIHO	
Size	Project Name	Schematic Name	Rev
A4	MLAB	CT01A	1.01
Date:	Saturday, January 29, 2005	Sheet	2 of 3
2		1	



Firma		Author	
MLAB		MIHO	
Size	Project Name	Schematic Name	Rev
A4	MLAB	CT01A	1.01
Date:	Saturday, January 29, 2005	Sheet	3 of 3
2		1	