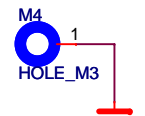
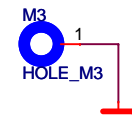
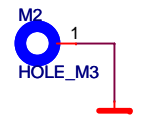
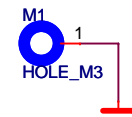
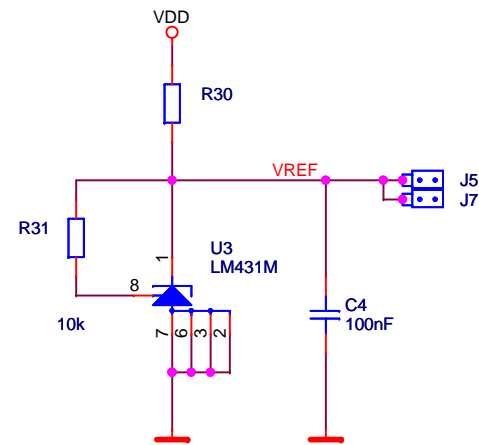


M5 FIDU

M6 FIDU_PASTE



Firma		MLAB		Author mija	
Size A4	Project Name OZDUAL02B	Schematic Name <Doc>		Rev 0	
Date: Friday, June 01, 2012	Sheet 1 of 1				