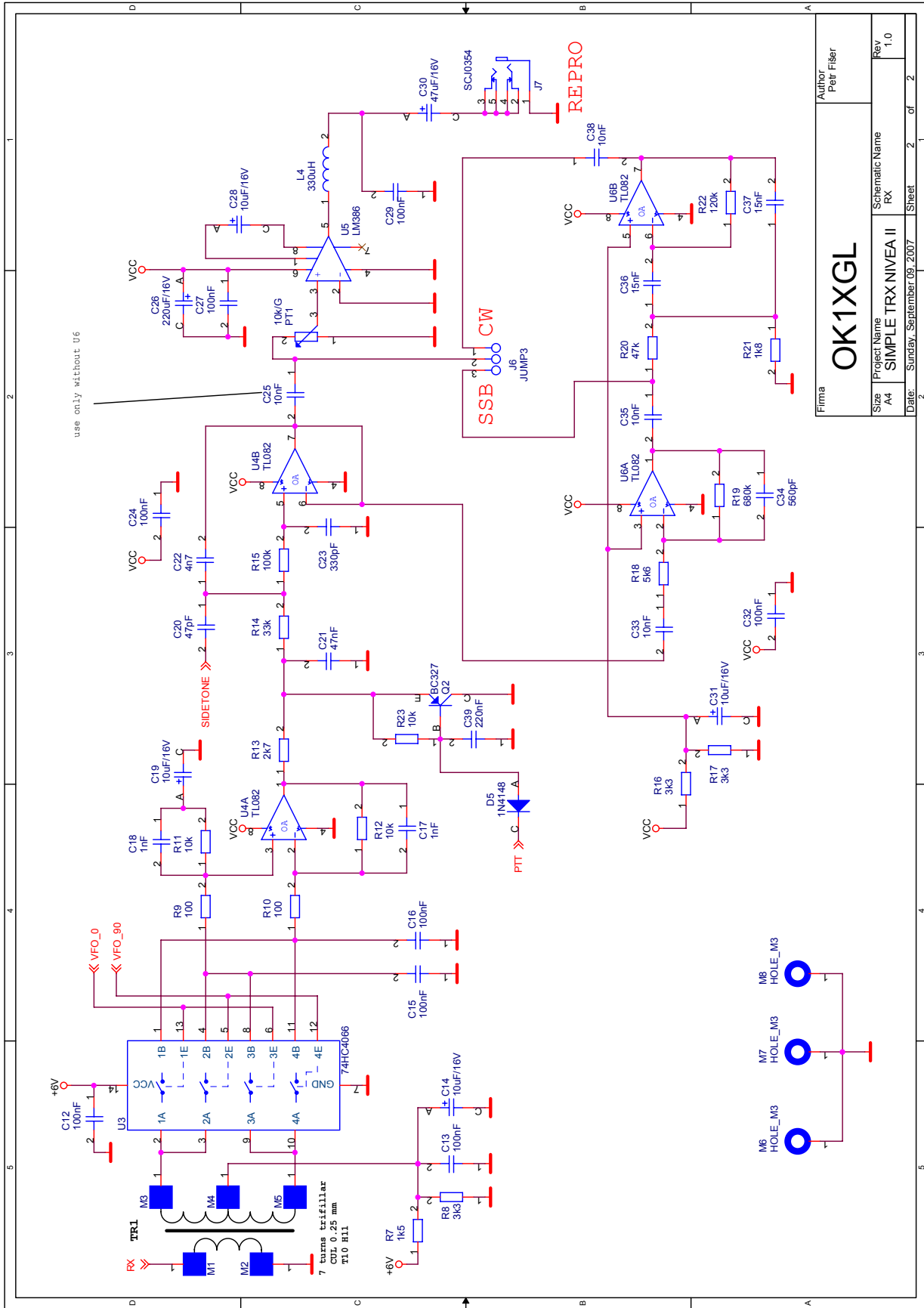


**NOTE:**  
Mark # before value of component means NOT USED

Firma	OK1XGL		Author	Petr Fibser	
Size	A4	Project Name	SIMPLE TRX NIVEA II	Schematic Name	TX & VFO
Date:	Sunday, September 09, 2007	Sheet	1	of	2
Rev	1.0				



Firma		OK1XGL		Author	
Project Name		SIMPLE TRX NIVEA II		Petr Fiser	
Size	A4	Schematic Name	RX	Rev	1.0
Date:	Sunday, September 09, 2007	Sheet	2	of	2