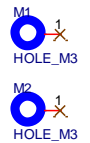
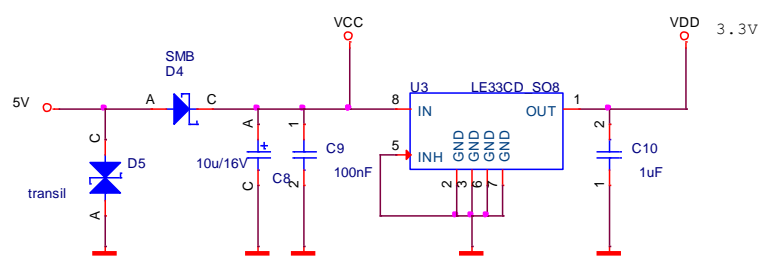
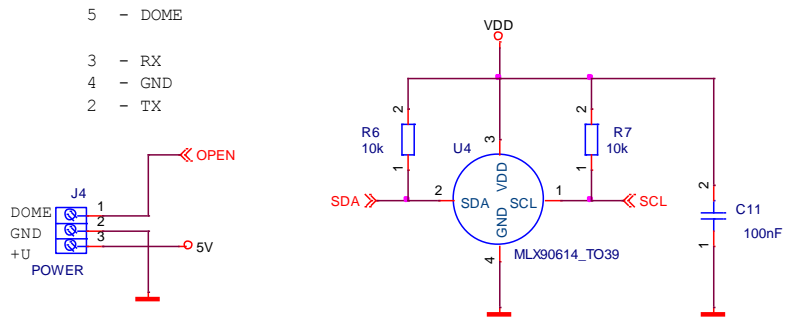



Cable  
-----  
1 - +U  
GY - GND  
5 - DOME  
  
3 - RX  
4 - GND  
2 - TX



Firma				Author	
				KAKL, MIJA	
Size	Project Name	Page Name	Rev		
A4	MRAKOMER 4	Sensor	1		
Date:	Thursday, December 30, 2010	Sheet	1 of 1		