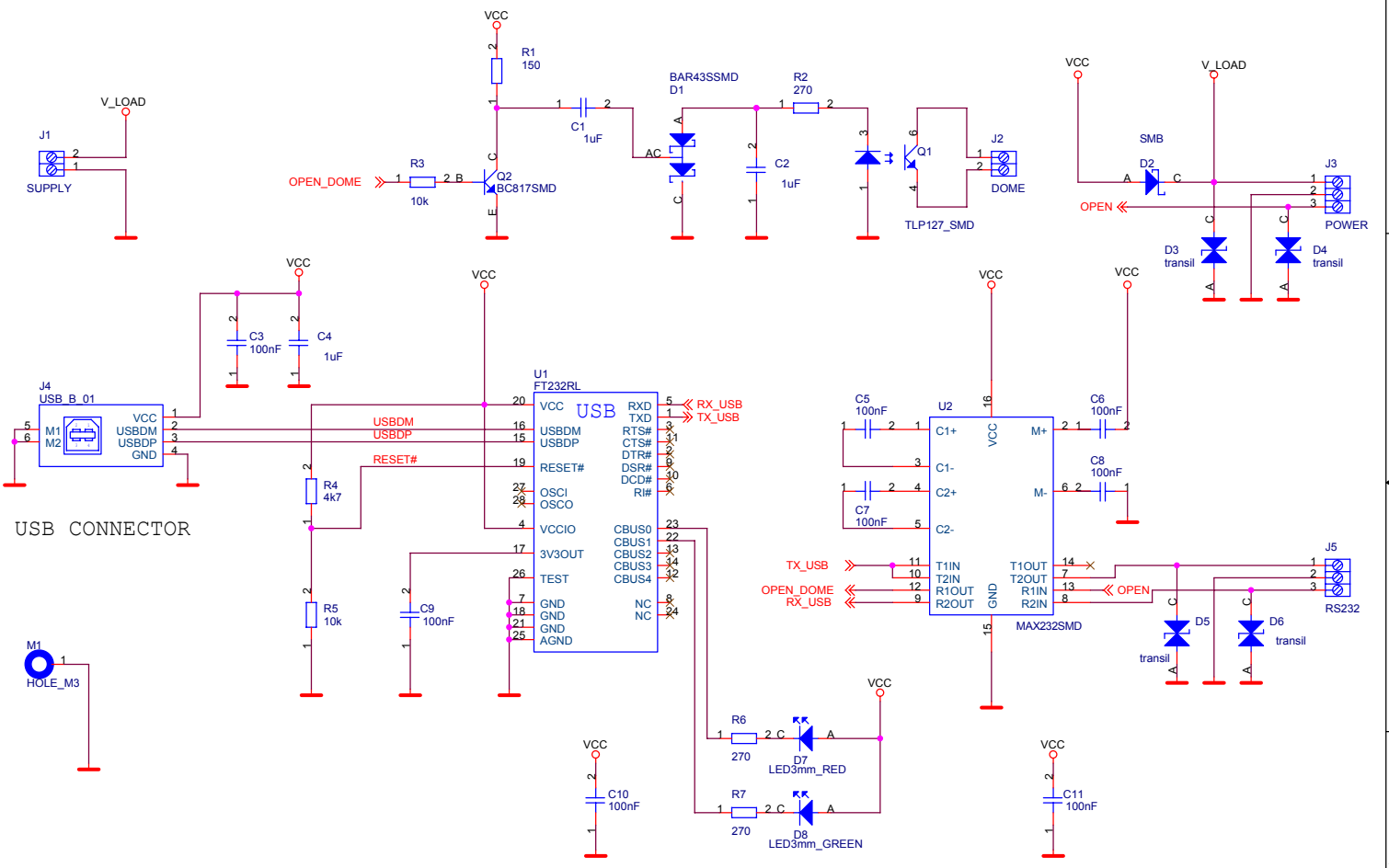


|       |                           |       |          |
|-------|---------------------------|-------|----------|
| Title |                           |       | IRmrak04 |
| Size  | Document Number           | Rev 2 |          |
| Date: | Monday, December 15, 2008 | Sheet | 2 of 2   |



|       |                           |              |         |
|-------|---------------------------|--------------|---------|
| Title |                           |              | <Title> |
| Size  | Document Number           | Rev <RevCod> |         |
| Date: | Tuesday, January 06, 2009 | Sheet        | 1 of 1  |