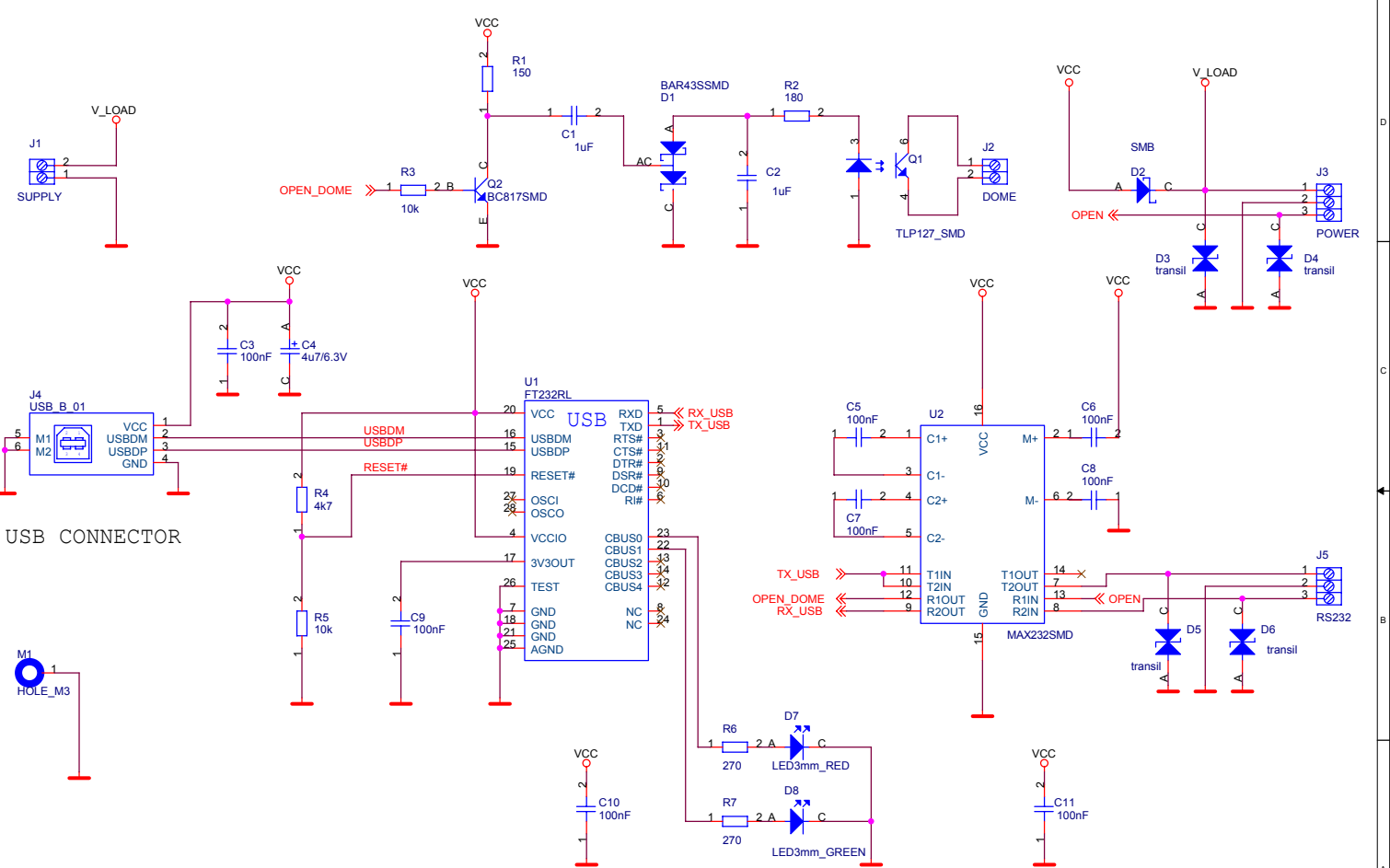


Title		
IRmrak04		
Size	Document Number	Rev
A4		2
Date:	Monday, December 15, 2008	Sheet 2 of 2



Title		
<Title>		
Size	Document Number	Rev
A4	<Doc>	<Rev Code>
Date:	Monday, December 15, 2008	Sheet 4 of 4