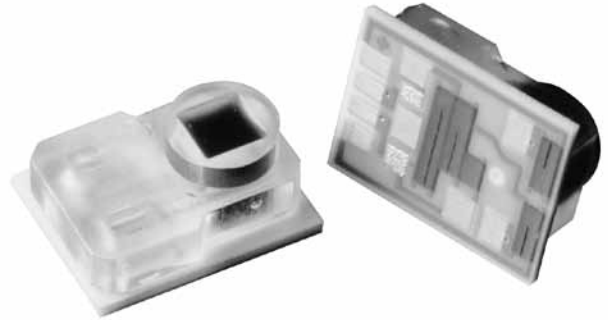


NPC-100 Series

NovaSensor Disposable Medical Pressure Sensor



Features

- Solid state, high reliability
- Media compatibility
- High performance
- Factory filled with dielectric gel
- Small size
- Fully tested
- Temperature compensated
- Low cost disposable design
- Designed to AAMI specifications

Applications

- Medical instrumentation
- Blood pressure measurement
- Infusion pumps
- Kidney dialysis machines

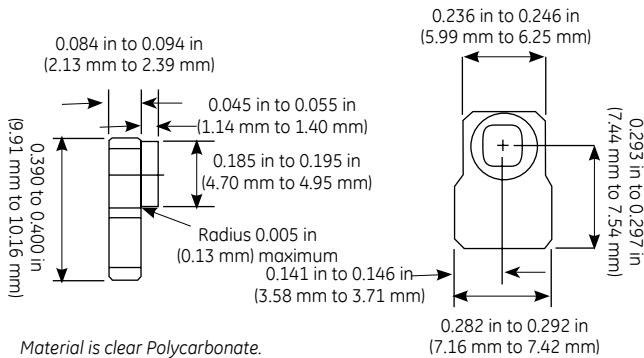


NPC-100 Series Specifications

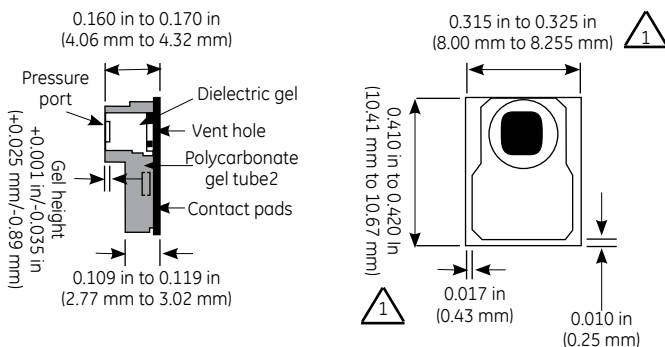
The NovaSensor NPC-100 Series pressure sensor is specifically designed for use in disposable medical applications. The device is compensated and calibrated per the Association for the Advancement of Medical Instrumentation (AAMI) guidelines for industry acceptability. The sensor integrates a high-performance, pressure sensor die with temperature compensation circuitry and gel protection in a small, low-cost package.

The NPC-100 Series is manufactured in a class 1000 clean-room to minimize possible sources of contamination. A specially designed silicon micromachined sensing element is used to meet or exceed all industry requirements while minimizing assembly and test cost for maximum customer value. Thick-film laser-trimming is employed for final compensation and calibration. Sensitivity is maintained to $\pm 1\%$ and linearity is better than 1% in the physiological operating pressure range.

The NPC-100 Series is batch-manufactured in ceramic plate form and shipped as an intact array for easy customer automation. This assembly method draws from well-established manufacturing techniques used in the electronics industry in order to produce a quality, high volume product.



NPC-100 Series pressure port interface



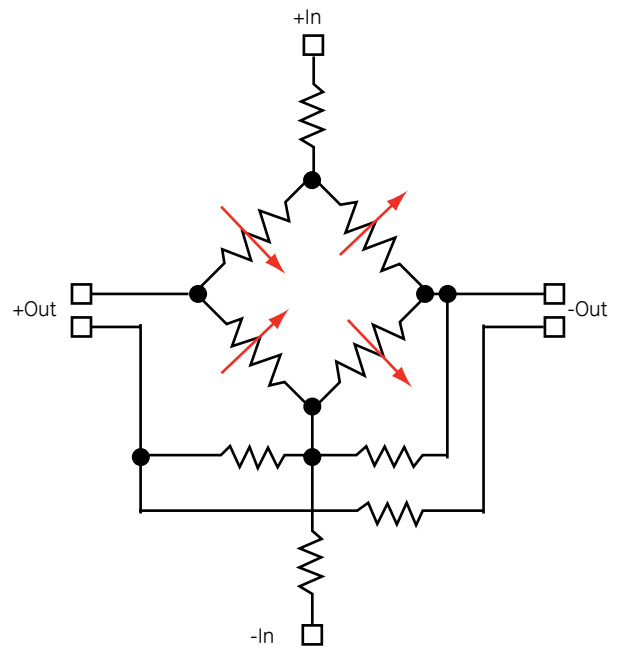
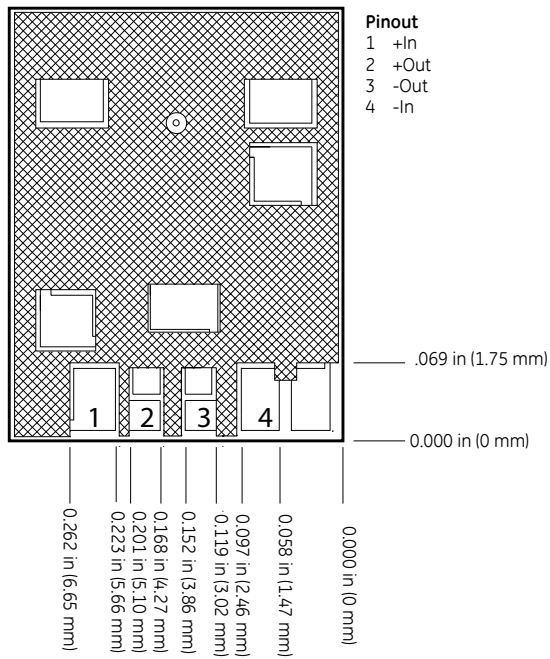
1. Tolerances reflect typical flaring during the singulation process.

NPC-100 Series package diagram

Parameter	Value	Units	Notes
General			
Pressure Ranges	-30 to 300	mmHg	-0.58 psi to 5.8 psi
Overpressure	125	psi	minimum
Electrical @ 72°F (22°C) Unless Otherwise Stated			
Input Excitation	1 to 10	VDC	Calibrated for 6 VDC
Dielectric Breakdown	10,000	VDC	5
Risk Current	2	A	Maximum (per AAMI), 5
Input Impedance	1800 to 3300	Ω	
Output Impedance	285 to 315	Ω	
Environmental			
Temperature			
Compensated	15°C to 40°C	°C	(59° to 104°F)
Operating	15°C to 40°C	°C	(59° to 104°F)
Storage	-25°C to 70°C	°C	(-13° to 158°F)
Humidity	10 to 90	%	
Light Sensitivity	1	mmHg	maximum (per AAMI BP22)
Operating Product Life	168	hours	
Shelf Life	3	years	
Mechanical			
Weight	<0.0044	lb	(<2 g)
Volume Displacement	<0.0008	in ³	(<0.02 mm ³)
Media Interface	Medical grade, dielectric gel		
Gel Tube Interface Material	Polycarbonate		

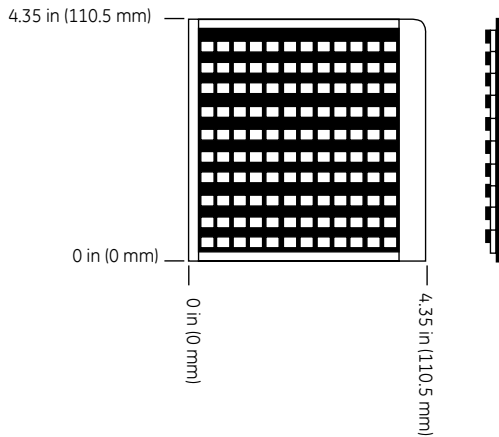
Parameter	Units	Minimum	Type	Maximum	Notes
Performance Parameters*					
Offset	mmHg	-25	0	25	
Sensitivity	$\mu\text{V/V/mmHg}$	4.95	5	5.05	
Calibration	mmHg	97.5	100	102.5	2
Symmetry	%	—	—	± 5	
Linearity (-30 to 100 mmHg)	mmHg	—	—	1	6
Linearity (100 to 200 mmHg)	% output	—	—	1	6
Linearity (200 to 300 mmHg)	% output	—	—	1.5	6
Thermal Coefficient Offset	mmHg/°C	—	—	± 0.3	3
Thermal Coefficient Span	%/°C	—	—	± 0.1	3
Frequency Response	Hz	1200	—	—	5
Phase Shift	degrees	—	—	5	5
Offset Drift	mmHg/8 hrs	—	—	1	4,5

- * 1. All values measured at 6 VDC and 71.6°F (22°C) and after five second warm up unless otherwise specified.
2. Output of sensor with no pressure applied and a 150 k Ω resistor shorted across +VIN to +OUT.
3. Over a temperature range of 59°F to 104°F (15°C to 40°C).
4. Normalized offset/bridge voltage—8 hours after 20 seconds. warm-up.
5. Previously qualified, not tested in production.
6. Deviation from straight line drawn through zero and 100 mmHg data points.



1. Tolerance on electrical pad location is ± 0.010 in (± 0.25 mm).
2. Contact pads are suitable for soldering.
3. Split pads on +Out and -Out must be connected for proper operation.
4. All dimensions assume a nominal 0.01 in (0.25 mm) distance between the edge of the solder pads to the edge of the ceramic. This distance will vary slightly from part to part.

NPC-100 Series electrical interface



1. Sensors are shipped as 120 UP snapstrates that must be singulated by the customer.
2. Each reel or plate may include units that have failed visual or electrical parameters as well as good units. Bad units are identified with a dot on the backside of the cell location.
3. Reels and plates are shipped in dust free anti-static containers to prevent contamination of the gel surface.

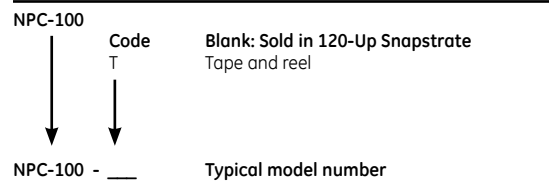
NPC-100 Series shipping Configuration

Warranty

GE warrants its products against defects in material and workmanship for 12 months from the date of shipment. Products not subjected to misuse will be repaired or replaced. GE reserves the right to make changes without further notice to any products herein. GE makes no warranty, representation or guarantee regarding the suitability of its products for any particular application. GE does not assume any liability arising out of the application or use of any product or circuit and specifically disclaims, and all liability, without limitation consequential or incidental damages. The foregoing warranties are exclusive and in lieu of all other warranties, whether written, oral, implied or statutory. No implied statutory warranty of merchantability or fitness for particular purpose shall apply.

Ordering Information

The code number to be ordered may be specified as follows:





www.ge-mcs.com

920-302B