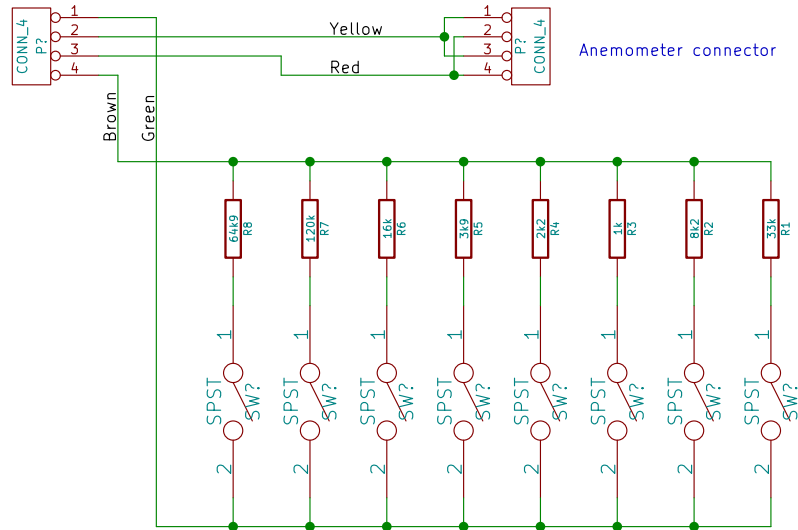


RJ connector to station electronic



Anemometer connector

Each switch is switched separately by rotating magnet.

kaktik 2014

MLAB

Sheet: /

File: WHP0024A1.sch

Title: *Meteorstation wind direction sensor WHP0024A1*

Size: A4

Date:

Rev:

KiCad E.D.A. kicad (2014-06-12 BZR 4942)-product

Id: 1/1