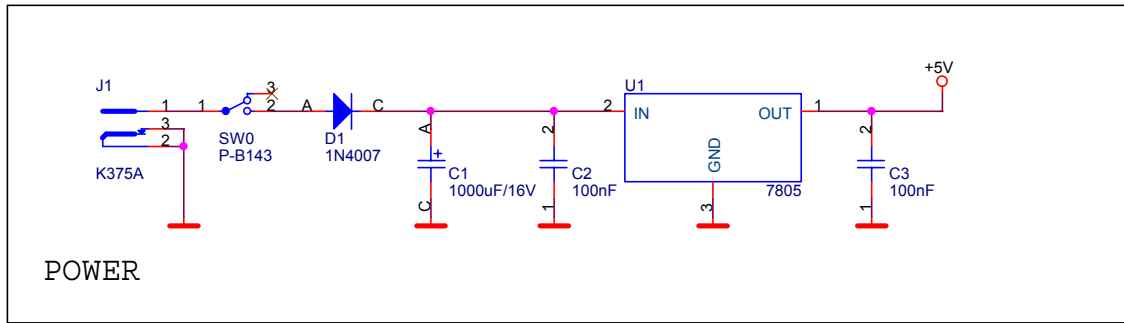


# STOPWATCH01A

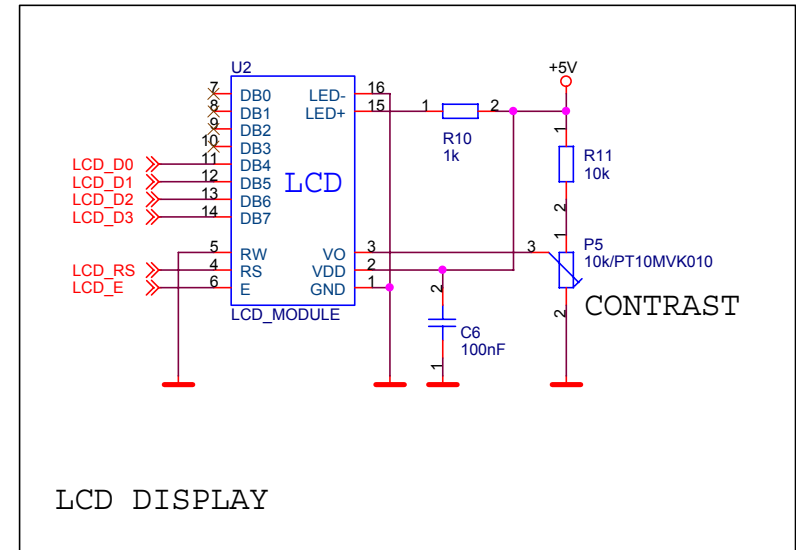
Hitory

1.0 First Version

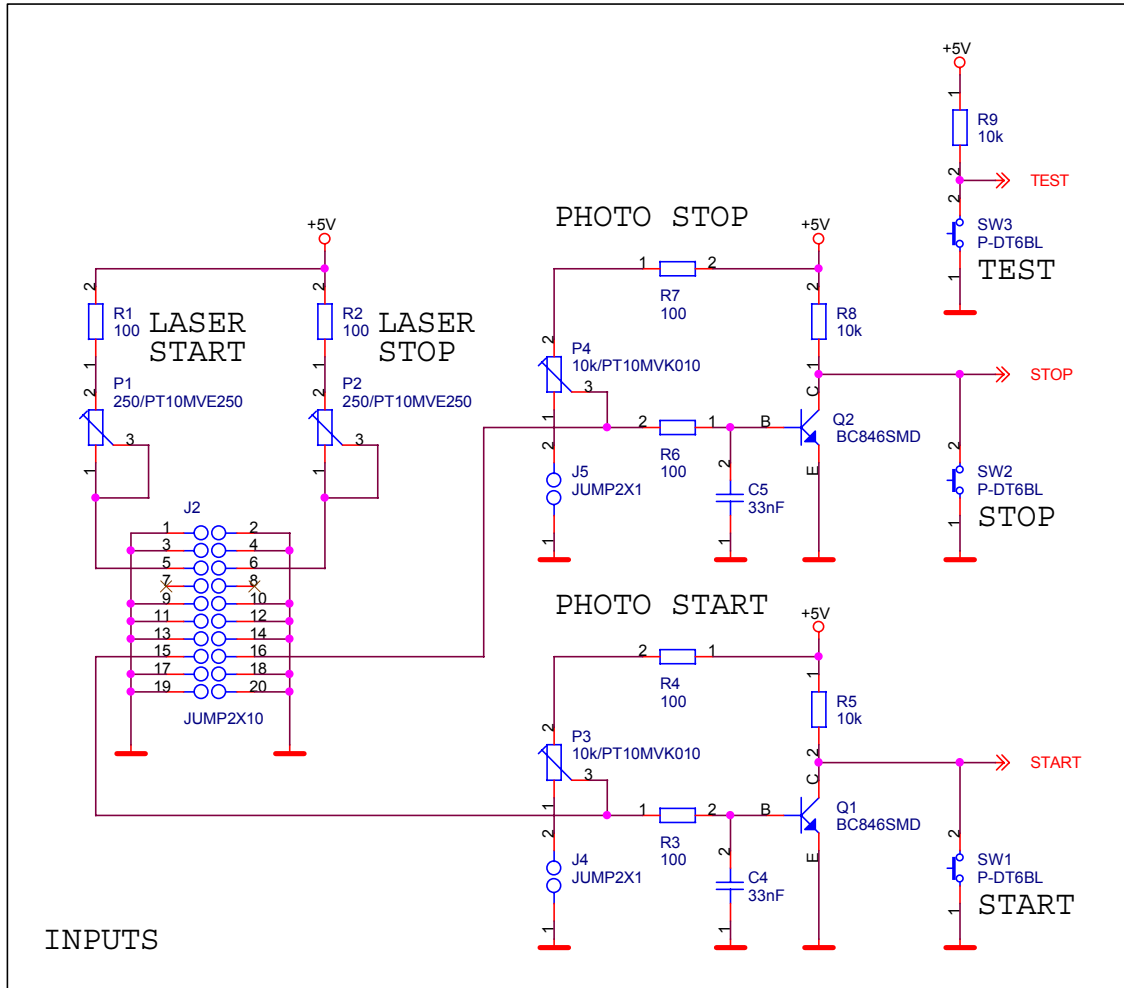
Firma		Author	
<b>MLAB</b>		MIHO	
Size	Project Name	Schematic Name	Rev
A4	MLAB	STOPWATCH01A	1.0
Date:	Saturday, March 20, 2004	Sheet	1 of 3
	2		1



POWER

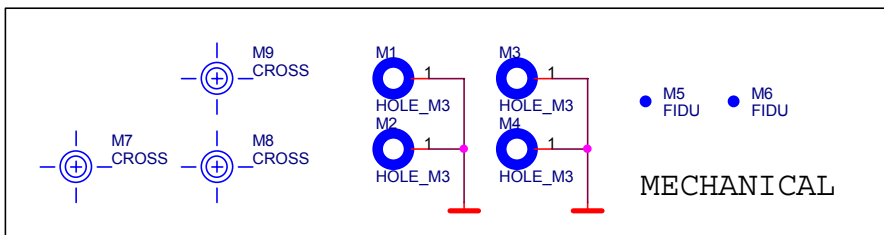
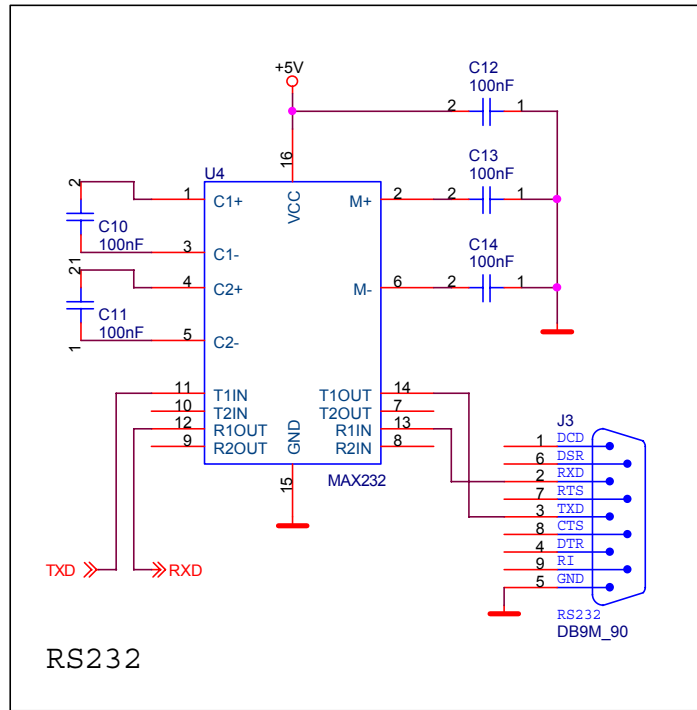
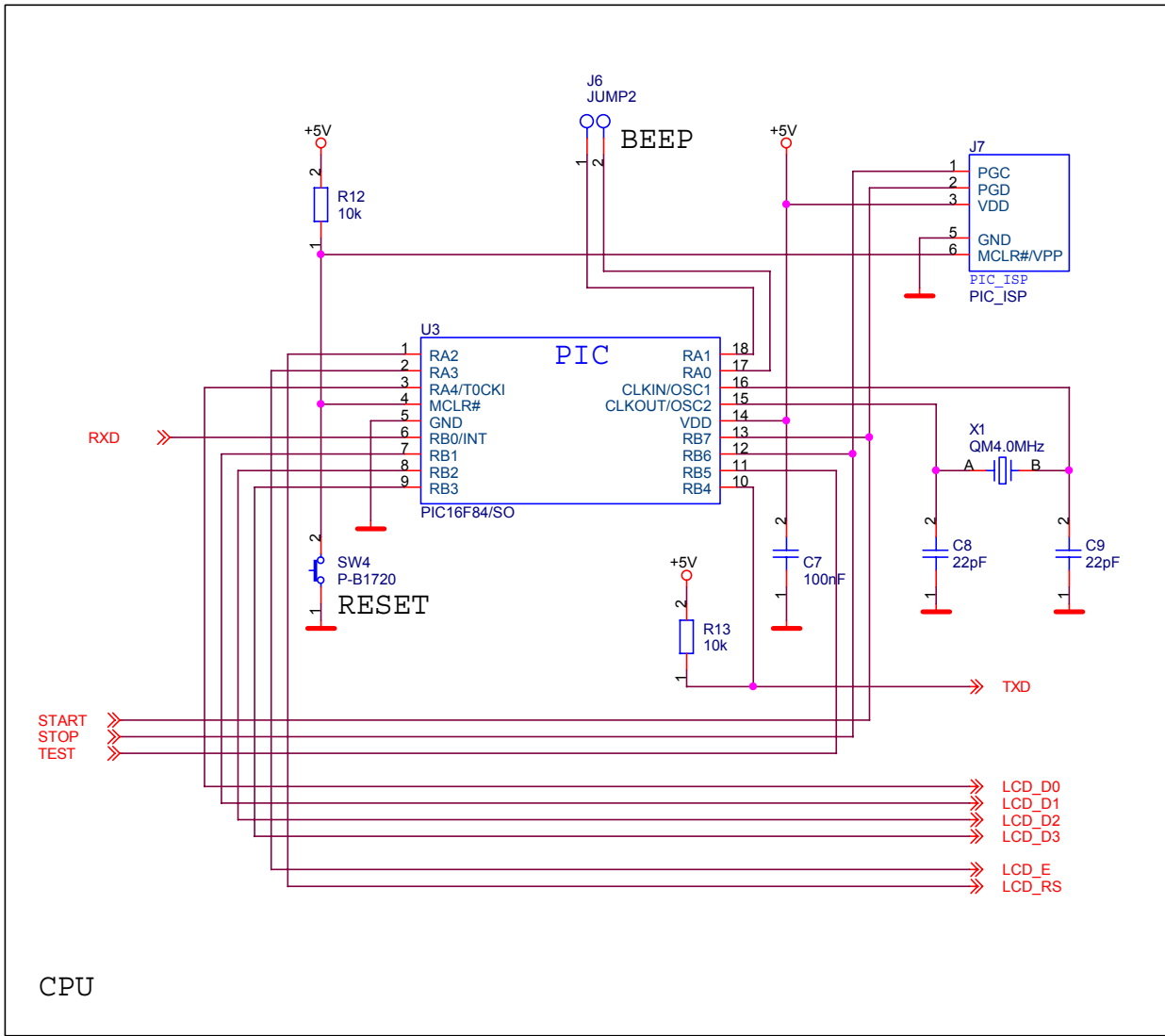


LCD DISPLAY



INPUTS

Firma		Author	
MLAB		MIHO	
Size	Project Name	Schematic Name	Rev
A4	MLAB	STOPWATCH01A	1.0
Date:	Saturday, March 20, 2004	Sheet	2 of 3
	2		1



Firma		Author	
<b>MLAB</b>		MIHO	
Size	Project Name	Schematic Name	Rev
A4	MLAB	STOPWATCH01A	1.0
Date:	Saturday, March 20, 2004	Sheet	3 of 3
	2		1