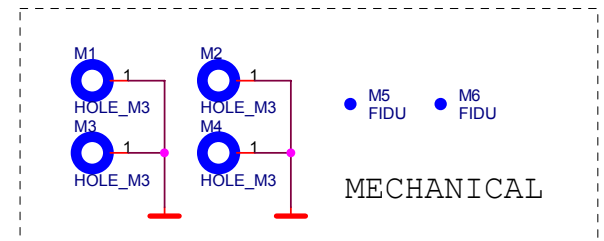
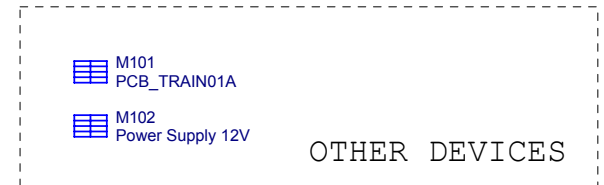
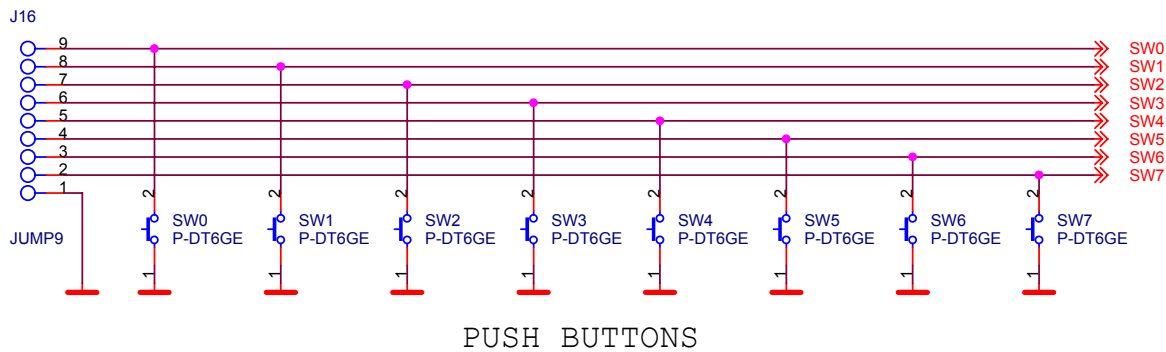


# TRAIN02A

# Simple Train Controller

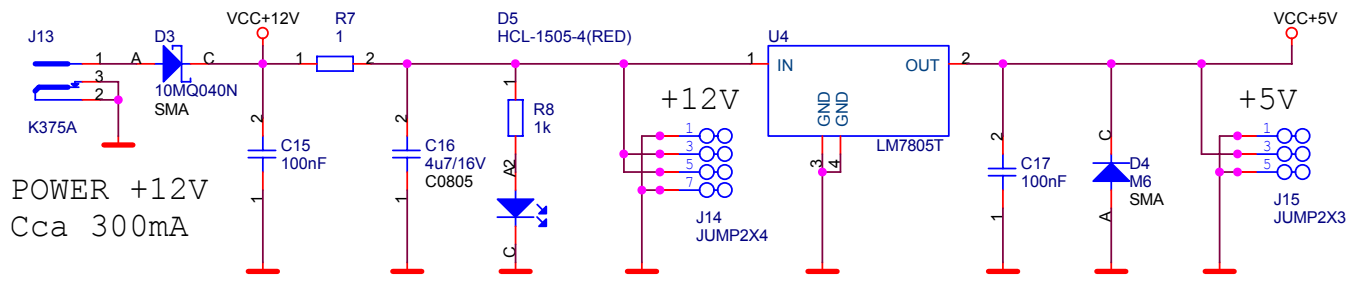
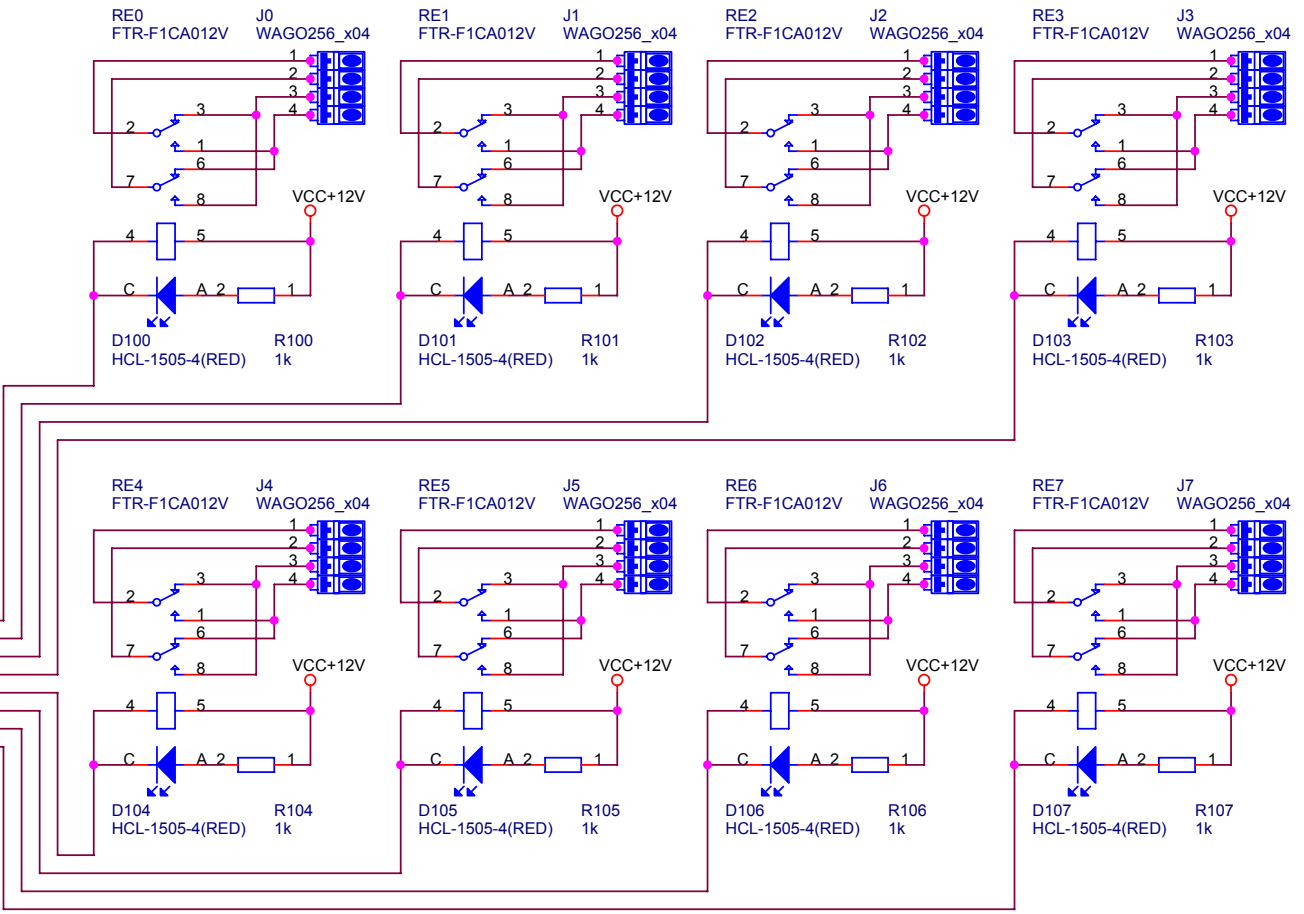
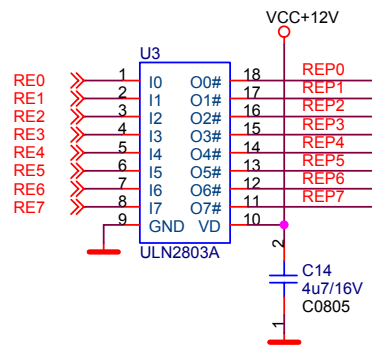
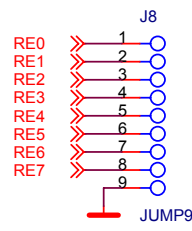
History

1.0 First Version based on TRAIN01A



Firma <b>MLAB</b>		Author MIHO	
Size A4	Project Name MLAB	Schematic Name TRAIN02A	Rev 1.0
Date: Monday, May 27, 2013	Sheet 1 of 4		

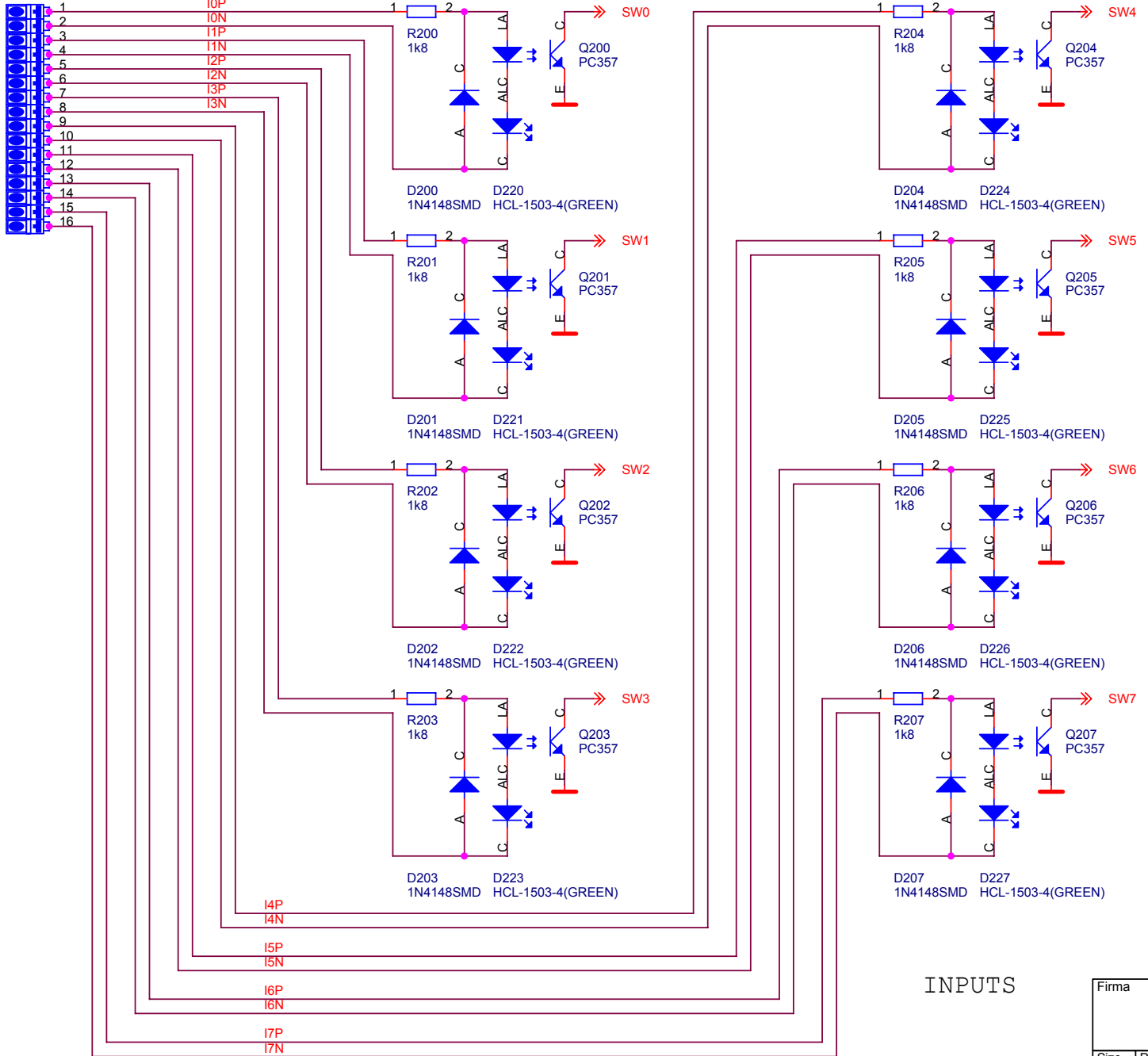




POWER +12V  
Cca 300mA

Firma		Author MIHO	
<b>MLAB</b>			
Size A4	Project Name MLAB	Schematic Name TRAIN02A	Rev 1.0
Date: Monday, May 27, 2013	Sheet 3 of 4		

J9  
WAGO256\_x16



$$R = (U_{max} - 3V) / 0.005A$$

12V --> 1k8 / 80mW  
24V --> 2k2 / 250mW

INPUTS

Firma		Author	
<b>MLAB</b>		MIHO	
Size	Project Name	Schematic Name	Rev
A4	MLAB	TRAIN02A	1.0
Date:	Monday, May 27, 2013	Sheet	4 of 4
		1	