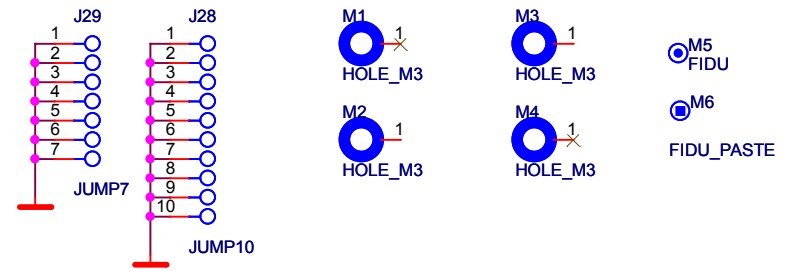
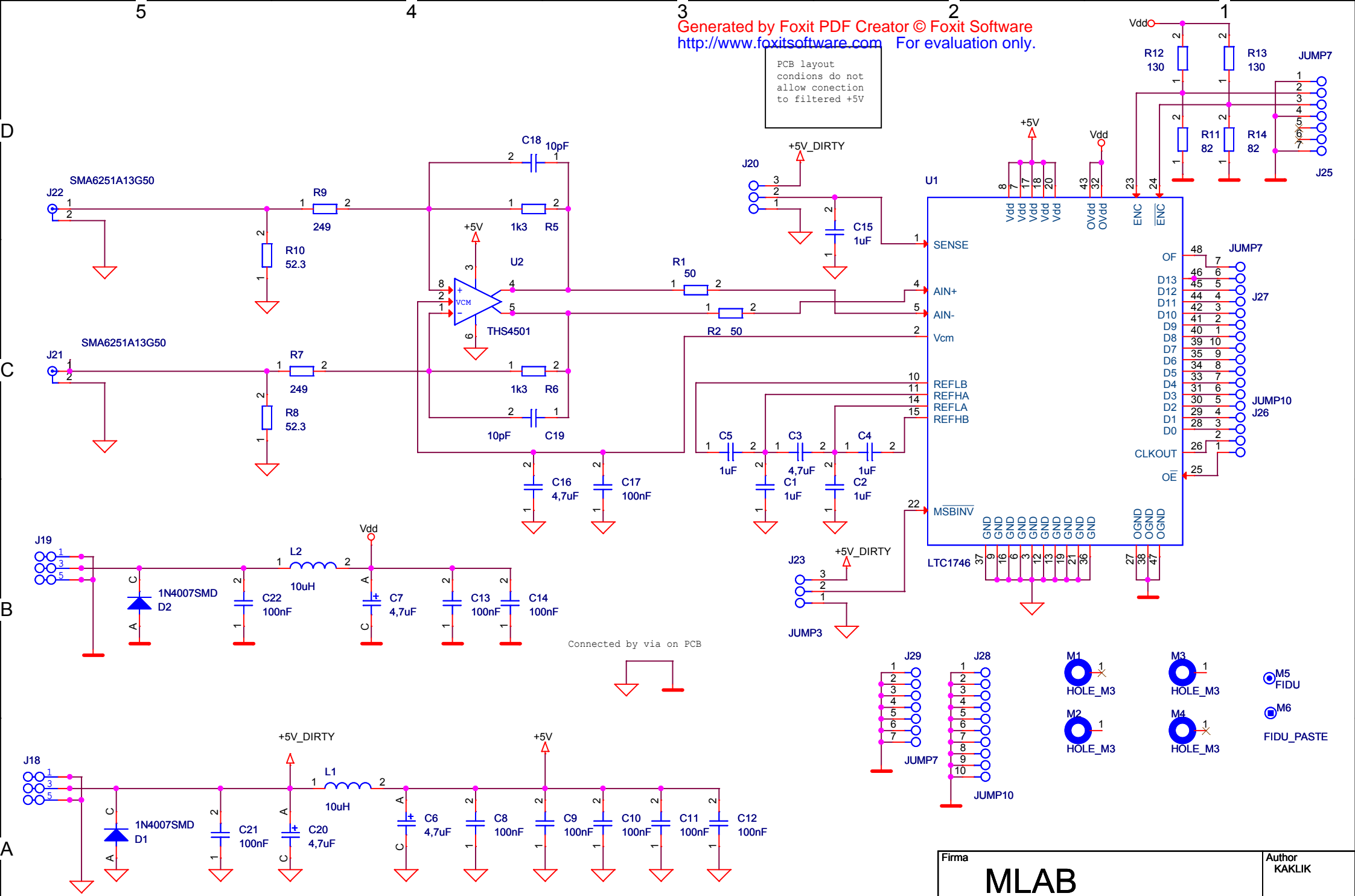


PCB layout
 condions do not
 allow conection
 to filtered +5V



Firma		Author	
MLAB		KAKLIK	
Size	Project Name	Schematic Name	Rev
A4	ADconverters	ADCmonoPPI01A	A
Date:	Monday, September 06, 2010	Sheet	1 of 1