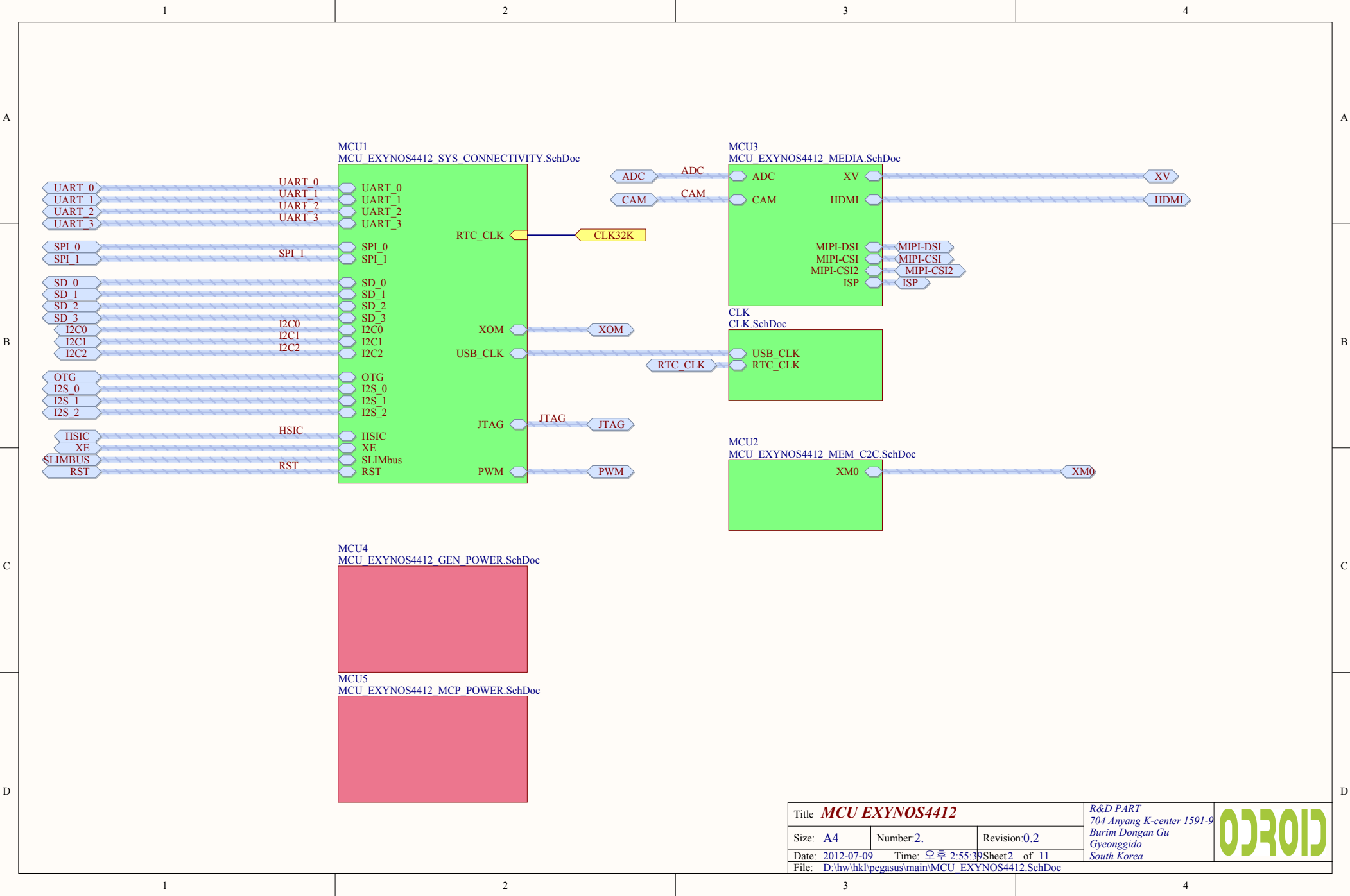
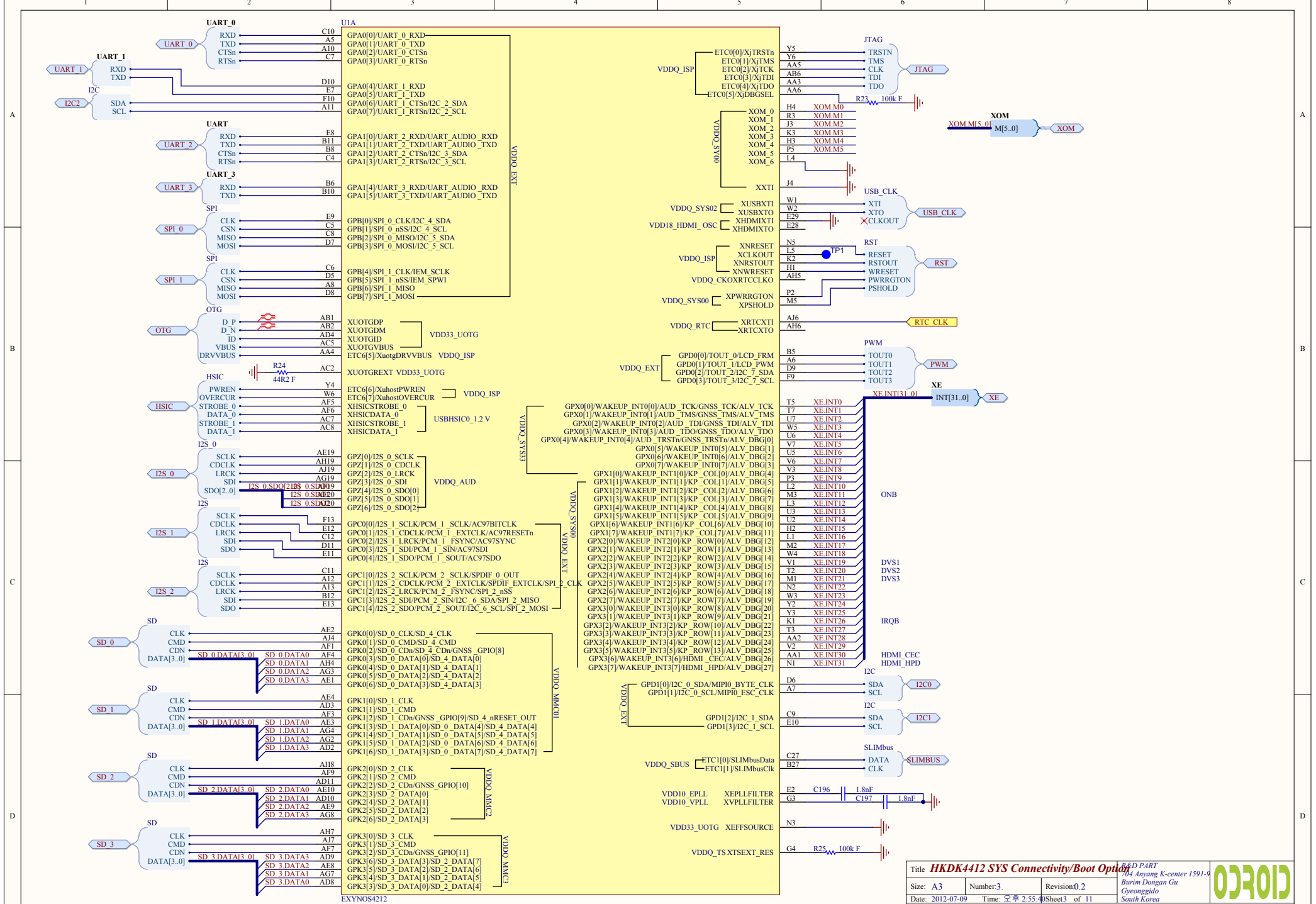


Title HKDK4412 MAIN BLOCK			R&D PART	03ROID
Size: A4	Number: 1.	Revision: 0.1	704 Anyang K-center 1591-9	
Date: 2012-07-09	Time: 오후 2:55:39	Sheet 1 of 11	Burim Dongan Gu	
File: D:\hw\hkl\pegasus\main\MAIN.SchDoc			Gyeongdo South Korea	



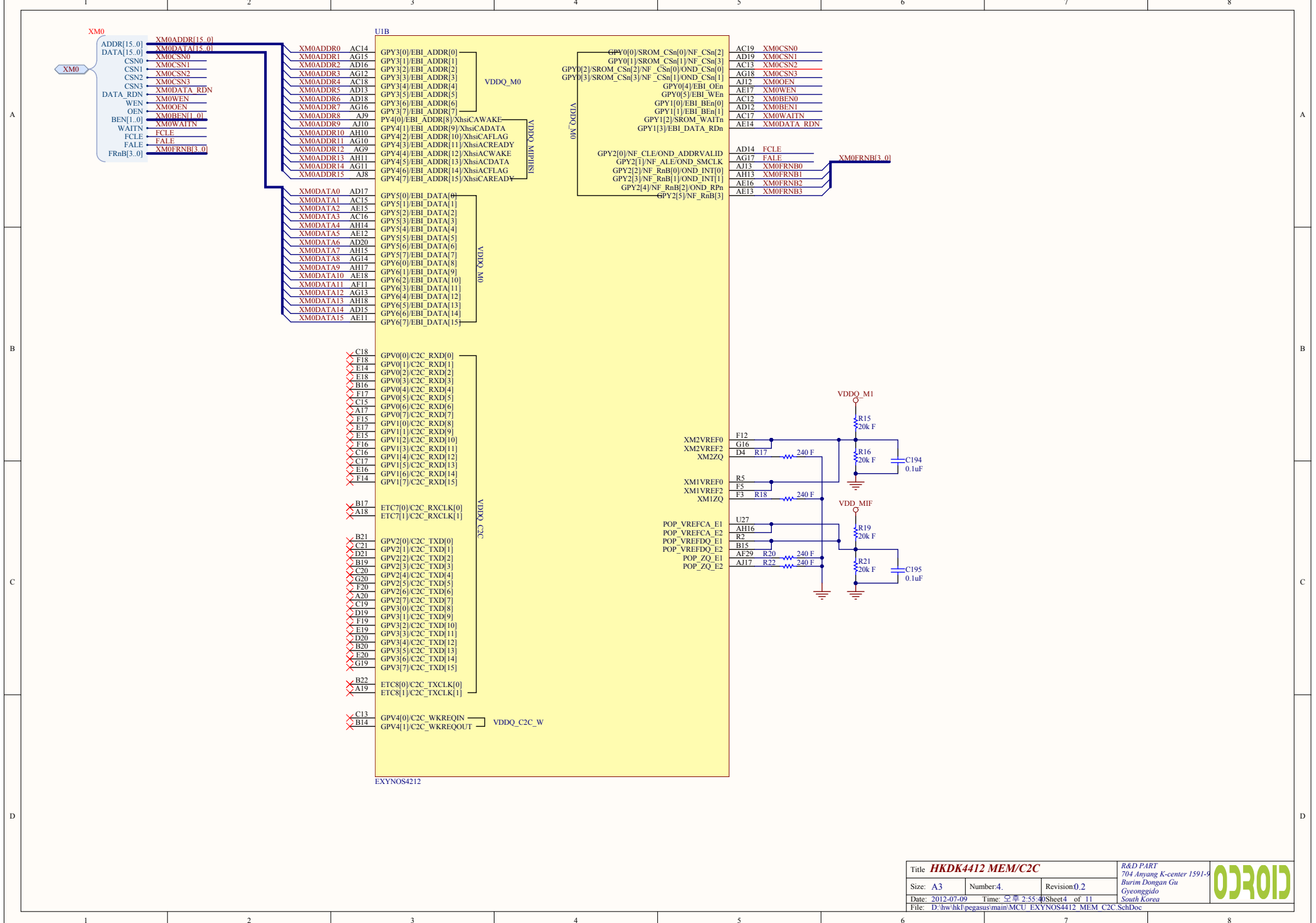
Title MCU EXYNOS4412			R&D PART
Size: A4	Number: 2.	Revision: 0.2	704 Anyang K-center 1591-9
Date: 2012-07-09	Time: 오후 2:55:39	Sheet 2 of 11	Burim Dongan Gu
File: D:\hw\hkl\pegasus\main\MCU_EXYNOS4412.SchDoc			Gyeongido
			South Korea





EXYNOS4212

Title HKDK412 SYS Connectivity/Boot Option		E&D PART	
Size: A3	Number: 3	Revision: 0.2	104 AnYang K-center 1591-9
Date: 2012-07-09	Time: 오후 2:55:40	Sheet: 3 of 11	Burim Dongan Gu Gyeonggido South Korea
File: D:\hw\lkt\pegasus\main\MCU_EXYNOS4122 SYS CONNECTIVITY_SchDoc		03010	



XMM0

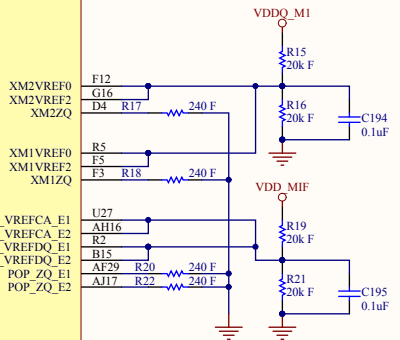
ADDR[15..0]	XMM0ADDR[15..0]
DATA[15..0]	XMM0DATA[15..0]
CSN0	XMM0CSN0
CSN1	XMM0CSN1
CSN2	XMM0CSN2
CSN3	XMM0CSN3
DATA_RDN	XMM0DATA_RDN
WEN	XMM0WEN
OEN	XMM0OEN
BEN[1..0]	XMM0BEN[1..0]
WAITN	XMM0WAITN
FACLE	FALE
FALE	FALE
FRnB[3..0]	XMM0FRNB[3..0]

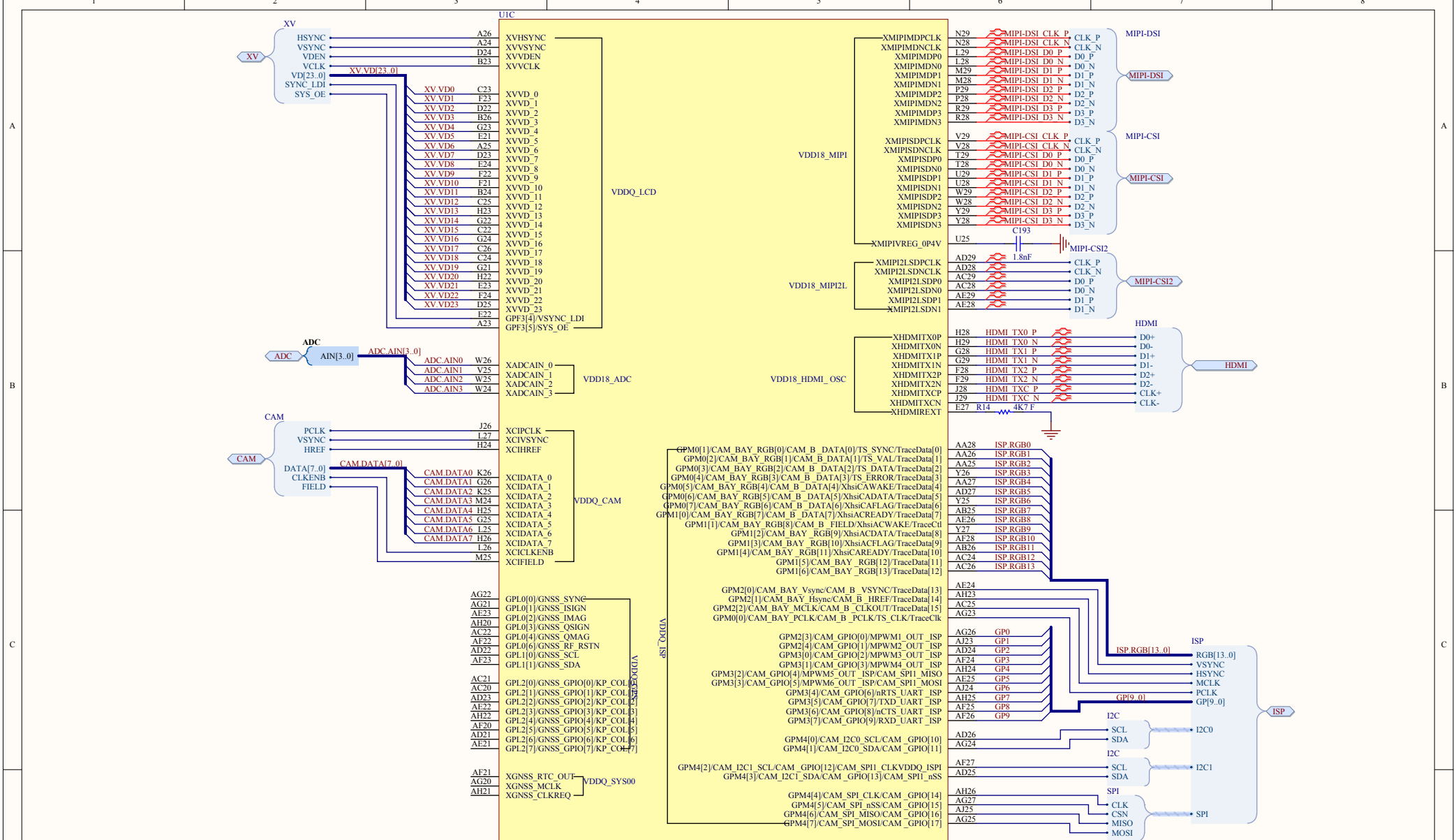
U1B

XMM0ADDR0	AC14	GPY3[0]/EBI_ADDR[0]
XMM0ADDR1	AG15	GPY3[1]/EBI_ADDR[1]
XMM0ADDR2	AD16	GPY3[2]/EBI_ADDR[2]
XMM0ADDR3	AG12	GPY3[3]/EBI_ADDR[3]
XMM0ADDR4	AC18	GPY3[4]/EBI_ADDR[4]
XMM0ADDR5	AD13	GPY3[5]/EBI_ADDR[5]
XMM0ADDR6	AD18	GPY3[6]/EBI_ADDR[6]
XMM0ADDR7	AG16	GPY3[7]/EBI_ADDR[7]
XMM0ADDR8	AJ9	GPY4[0]/EBI_ADDR[8]/XhsiCAWAKE
XMM0ADDR9	AJ10	GPY4[1]/EBI_ADDR[9]/XhsiCADATA
XMM0ADDR10	AH10	GPY4[2]/EBI_ADDR[10]/XhsiACFLAG
XMM0ADDR11	AG10	GPY4[3]/EBI_ADDR[11]/XhsiACREADY
XMM0ADDR12	AG9	GPY4[4]/EBI_ADDR[12]/XhsiACWAKE
XMM0ADDR13	AH11	GPY4[5]/EBI_ADDR[13]/XhsiACDATA
XMM0ADDR14	AG11	GPY4[6]/EBI_ADDR[14]/XhsiACFLAG
XMM0ADDR15	AJ8	GPY4[7]/EBI_ADDR[15]/XhsiACAREADY
XMM0DATA0	AD17	GPY5[0]/EBI_DATA[0]
XMM0DATA1	AC15	GPY5[1]/EBI_DATA[1]
XMM0DATA2	AE15	GPY5[2]/EBI_DATA[2]
XMM0DATA3	AC16	GPY5[3]/EBI_DATA[3]
XMM0DATA4	AH14	GPY5[4]/EBI_DATA[4]
XMM0DATA5	AE12	GPY5[5]/EBI_DATA[5]
XMM0DATA6	AD20	GPY5[6]/EBI_DATA[6]
XMM0DATA7	AH15	GPY5[7]/EBI_DATA[7]
XMM0DATA8	AG14	GPY6[0]/EBI_DATA[8]
XMM0DATA9	AH17	GPY6[1]/EBI_DATA[9]
XMM0DATA10	AE18	GPY6[2]/EBI_DATA[10]
XMM0DATA11	AF11	GPY6[3]/EBI_DATA[11]
XMM0DATA12	AG13	GPY6[4]/EBI_DATA[12]
XMM0DATA13	AH18	GPY6[5]/EBI_DATA[13]
XMM0DATA14	AD15	GPY6[6]/EBI_DATA[14]
XMM0DATA15	AE11	GPY6[7]/EBI_DATA[15]
C18	GPV0[0]/C2C_RXD[0]	
F18	GPV0[1]/C2C_RXD[1]	
E14	GPV0[2]/C2C_RXD[2]	
E18	GPV0[3]/C2C_RXD[3]	
B16	GPV0[4]/C2C_RXD[4]	
F17	GPV0[5]/C2C_RXD[5]	
C17	GPV0[6]/C2C_RXD[6]	
A17	GPV0[7]/C2C_RXD[7]	
F15	GPV1[0]/C2C_RXD[8]	
E17	GPV1[1]/C2C_RXD[9]	
E15	GPV1[2]/C2C_RXD[10]	
F16	GPV1[3]/C2C_RXD[11]	
C16	GPV1[4]/C2C_RXD[12]	
C17	GPV1[5]/C2C_RXD[13]	
E16	GPV1[6]/C2C_RXD[14]	
F14	GPV1[7]/C2C_RXD[15]	
B17	ETC7[0]/C2C_RXCLK[0]	
A18	ETC7[1]/C2C_RXCLK[1]	
B21	GPV2[0]/C2C_TXD[0]	
C21	GPV2[1]/C2C_TXD[1]	
D21	GPV2[2]/C2C_TXD[2]	
B19	GPV2[3]/C2C_TXD[3]	
C20	GPV2[4]/C2C_TXD[4]	
G20	GPV2[5]/C2C_TXD[5]	
F20	GPV2[6]/C2C_TXD[6]	
A20	GPV2[7]/C2C_TXD[7]	
C19	GPV3[0]/C2C_TXD[8]	
D19	GPV3[1]/C2C_TXD[9]	
F19	GPV3[2]/C2C_TXD[10]	
E19	GPV3[3]/C2C_TXD[11]	
D20	GPV3[4]/C2C_TXD[12]	
B20	GPV3[5]/C2C_TXD[13]	
E20	GPV3[6]/C2C_TXD[14]	
G19	GPV3[7]/C2C_TXD[15]	
B22	ETC8[0]/C2C_TXCLK[0]	
A19	ETC8[1]/C2C_TXCLK[1]	
C13	GPV4[0]/C2C_WKREQIN	
B14	GPV4[1]/C2C_WKREQOUT	

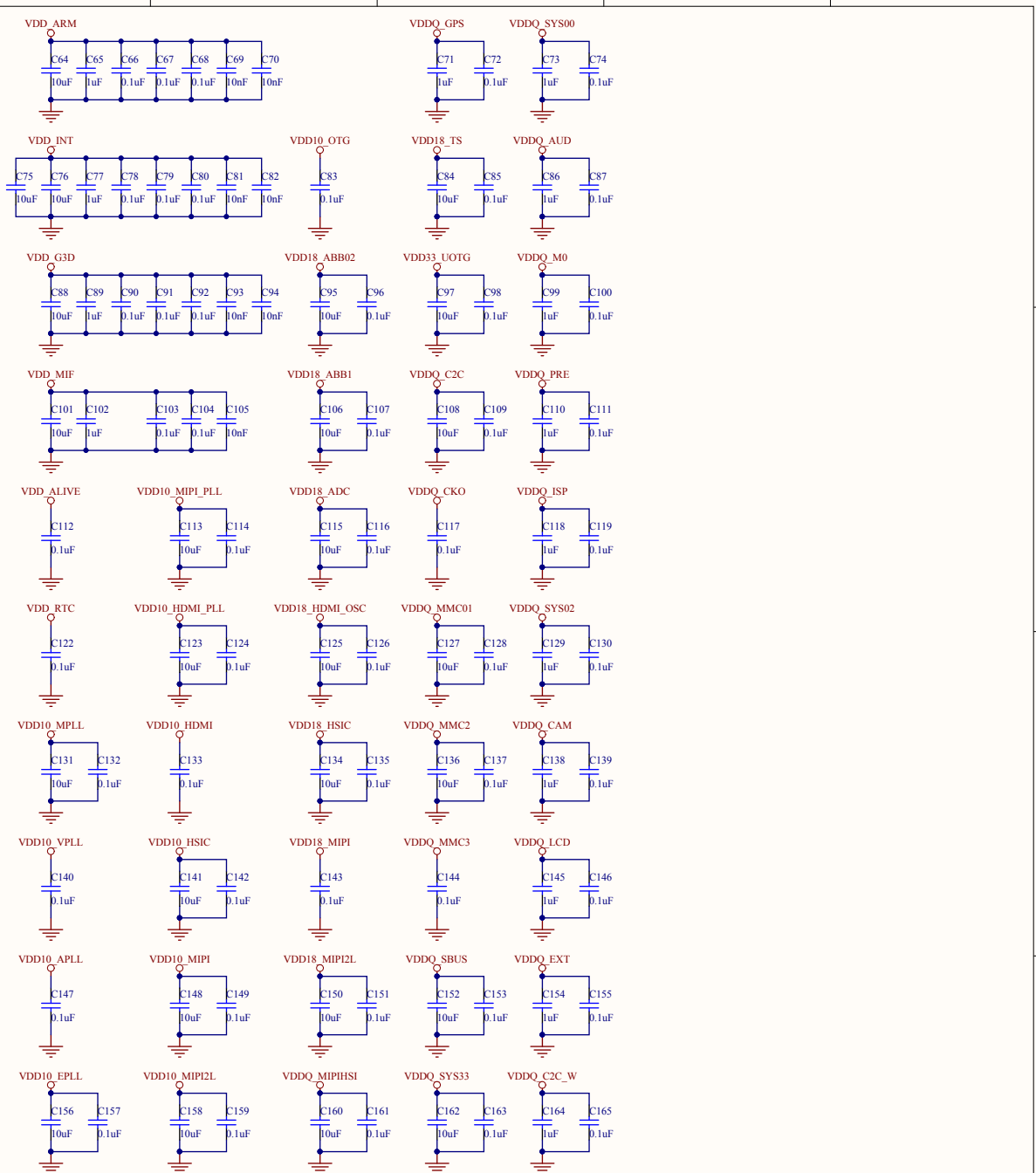
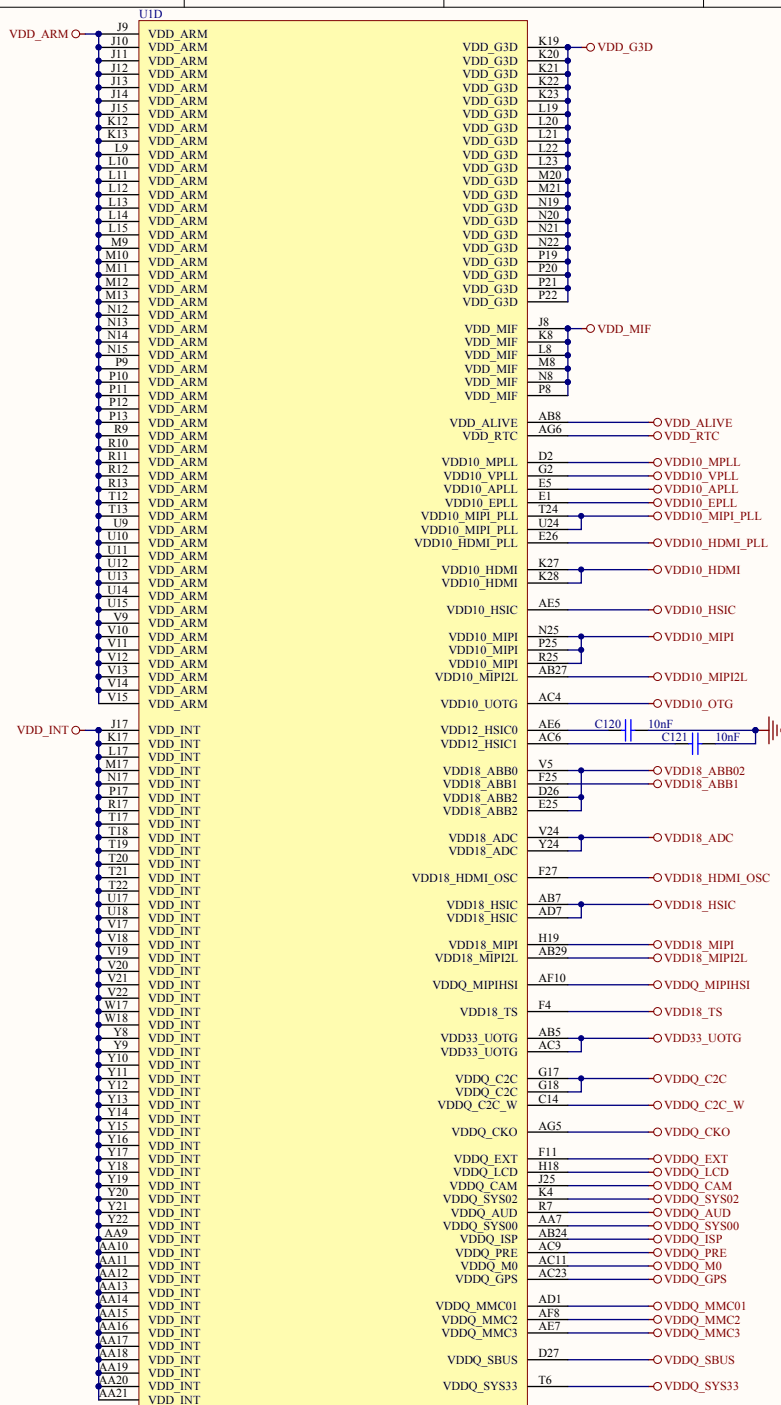
GPY

GPY0[0]	SROM_CSn[0]/NF_CSn[2]
GPY0[1]	SROM_CSn[1]/NF_CSn[3]
GPY0[2]	SROM_CSn[2]/NF_CSn[0]/OND_CSn[0]
GPY0[3]	SROM_CSn[3]/NF_CSn[1]/OND_CSn[1]
GPY0[4]	EBI_OEn
GPY0[5]	EBI_Wen
GPY1[0]	EBI_BEn[0]
GPY1[1]	EBI_BEn[1]
GPY1[2]	SROM_WAITn
GPY1[3]	EBI_DATA_Rdn
AD14	FACLE
AG17	FALE
AJ13	XMM0FRNB0
AH13	XMM0FRNB1
AE16	XMM0FRNB2
AE13	XMM0FRNB3



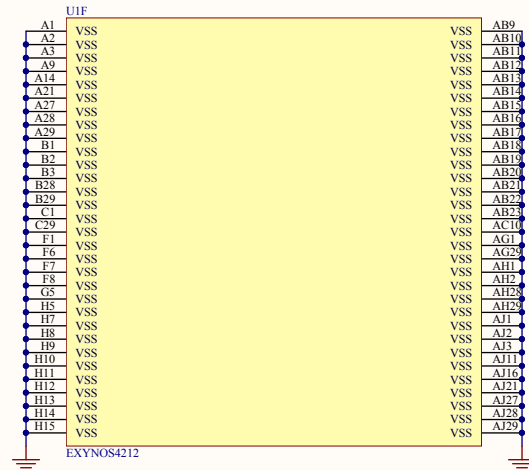
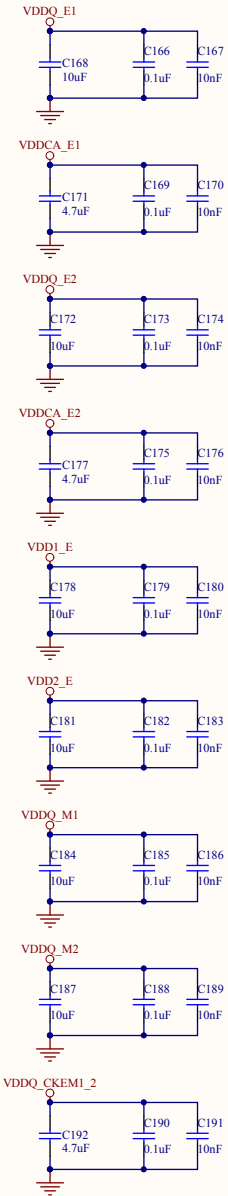
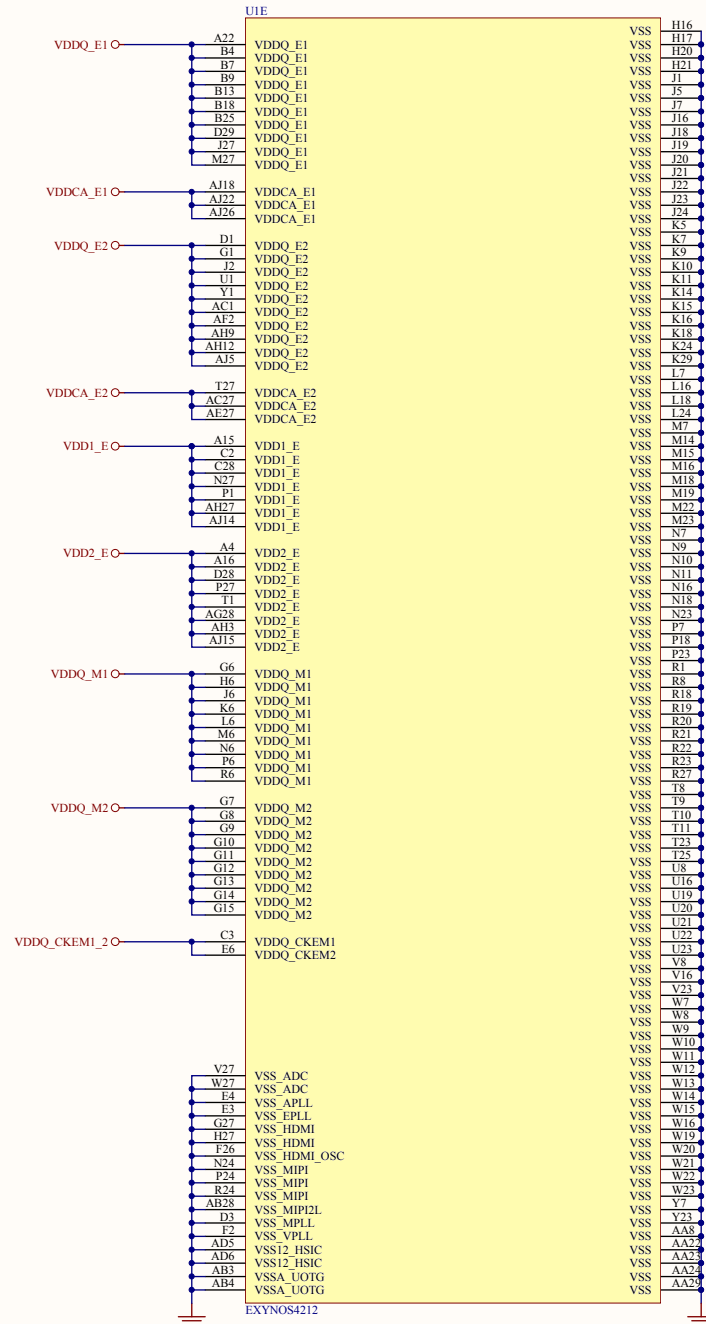


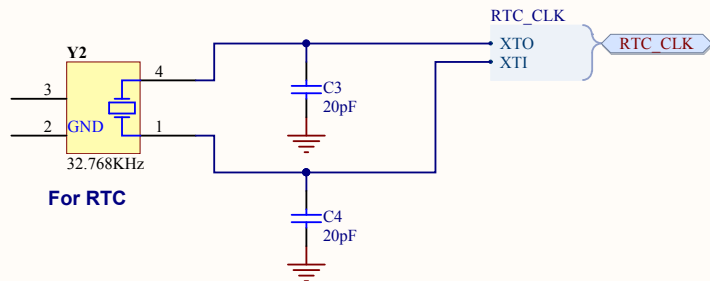
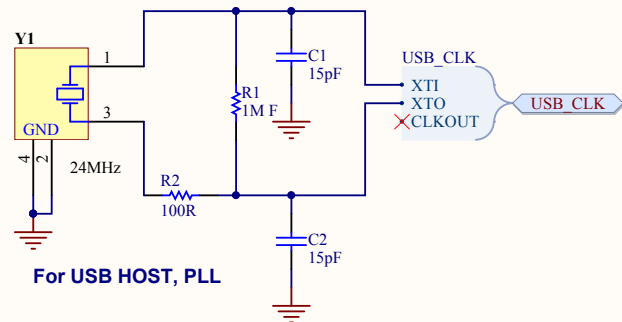
EXYNOS4212



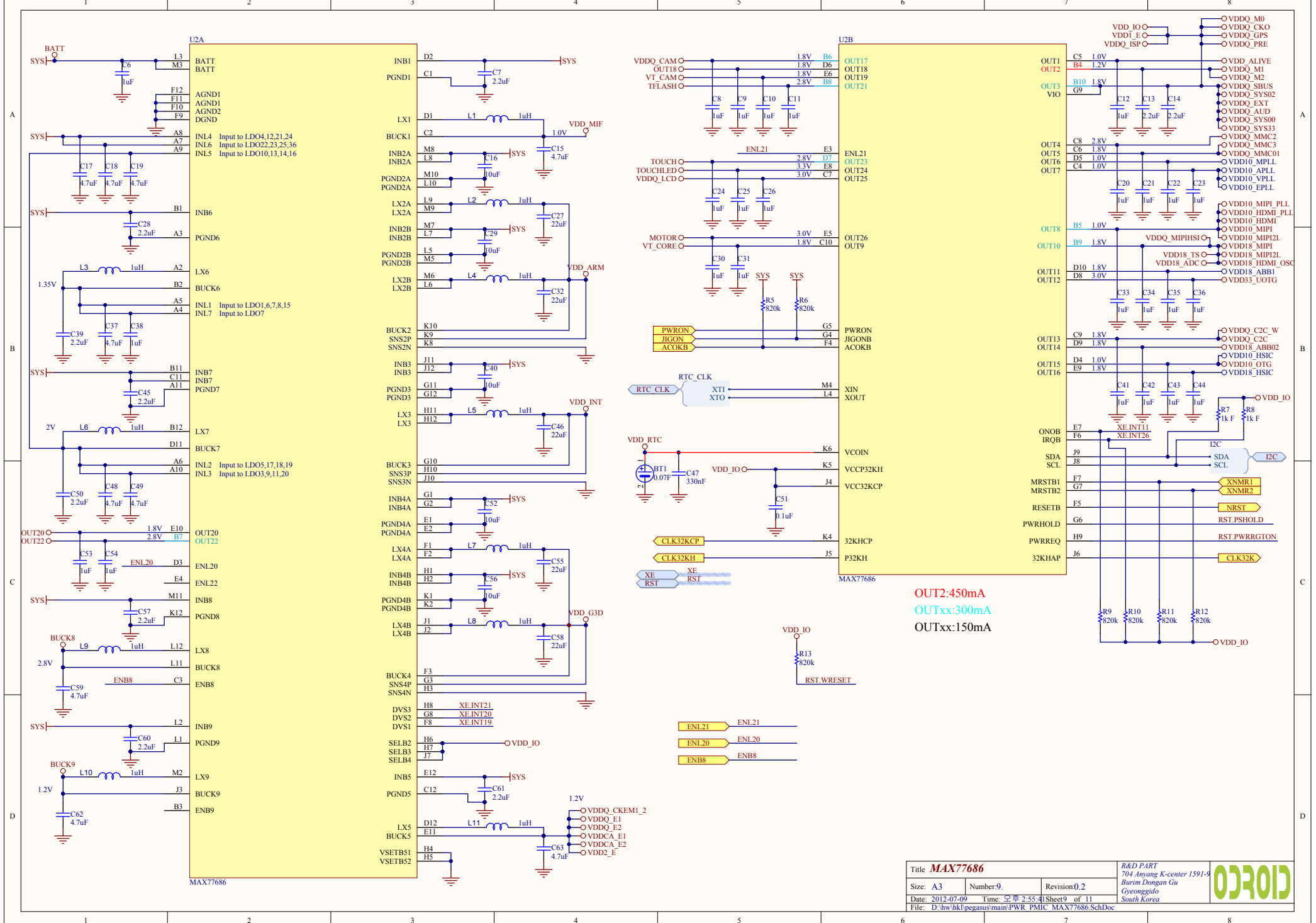
EXYNOS4212

Title HKDK412 GEN POWER			R&D PART 704 Anyang K-center 1591-9	03010
Size: A3	Number: 6	Revision: 0.2	Burim Dongan Gu Gyeonggido South Korea	
Date: 2012-07-09	Time: 오후 2:55:40	Sheet: 6 of 11		
File: D:\hw\lkt\pegasus\mam\MCU_EXYNOS4412_GEN_POWER.SchDoc				

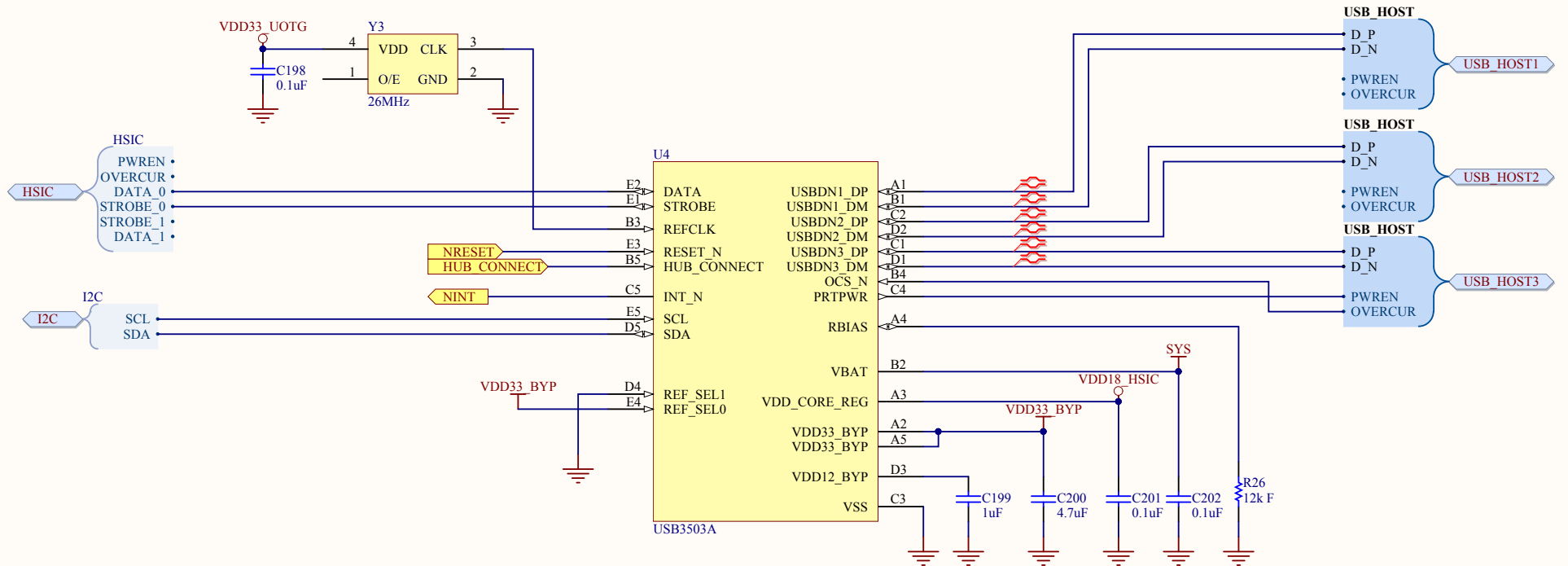





Title CLK			R&D PART	ORION
Size: A4	Number: 8.	Revision: 0.2	704 Anyang K-center 1591-9	
Date: 2012-07-09	Time: 오후 2:55:41 Sheet 8 of 11		Burim Dongan Gu	
File: D:\hw\hkl\pegasus\main\CLK.SchDoc			Gyeongido South Korea	



OUT2:450mA
 OUTxx:300mA
 OUTxx:150mA



Title HSIC USB HUB			Hardkernel Co., LTD. 704 Anyang K-center 1591-9 Burim, Dongangu, Anyang Kyeonggido South Korea	
Size: A4	Number: 10.	Revision: 0.2		
Date: 2012-07-09	Time: 오후 2:55:41	Sheet 10 of 11		
File: D:\hw\hkl\pegasus\main\USB HUB USB3503A.SchDoc				

