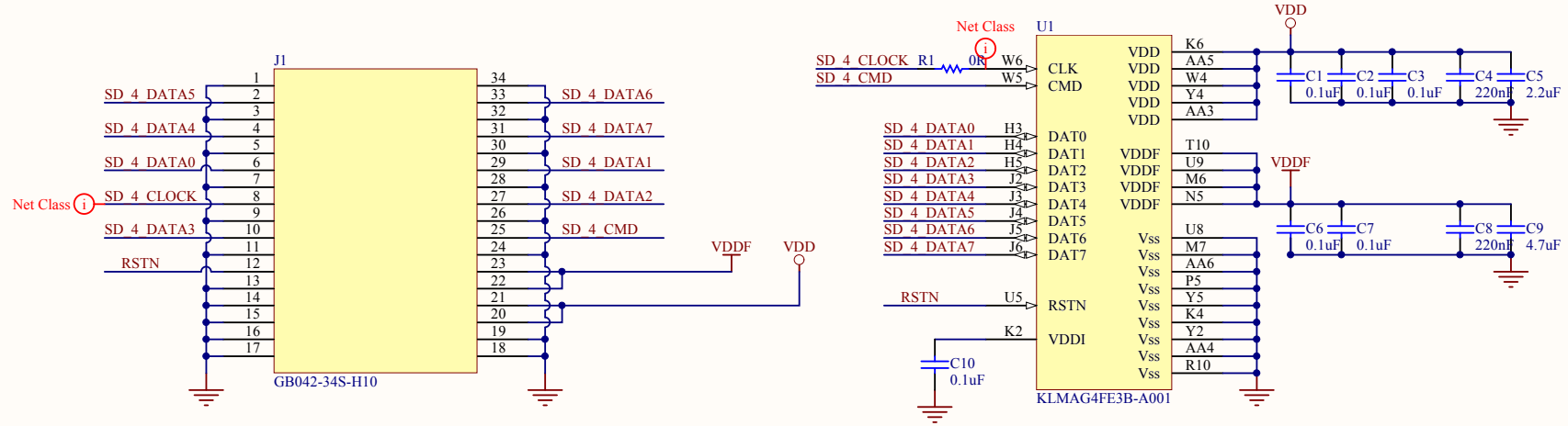


1

2

3

4



Title <b>eMMC Board</b>			R&D PART 704 Anyang K-center 1591-9 Burim Dongan Gu Gyeonggido South Korea	
Size: A4	Number: 1	Revision: 0.1		
Date: 2011-12-27	Time: 10:20:52	Sheet 1 of 1		
File: C:\work\altium\hardkernel\hw\hkl\pegasus\emmc-bd\EMMC.SchDoc				

1

2

3

4