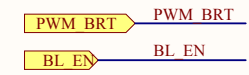
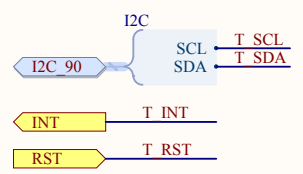


Title LCD_MAIN		R&D PART 704 Anyang K-center 1591-9 Burim Dongan Gu Gyeonggido South Korea	
Size: A4	Number: 1	Revision: 0.2	
Date: 2012-07-31	Time: 오후 3:32:43	Sheet 1 of 4	
File: C:\project\hw\hkl\PC4PC-BASE\LCD_BD\LCD_MAIN_BD.SchDoc			

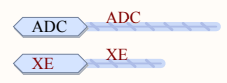
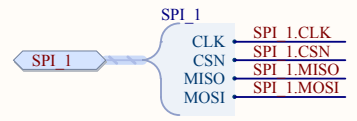




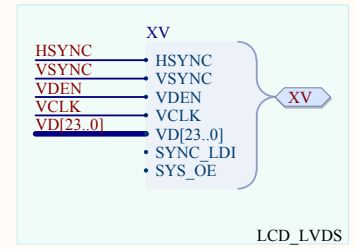
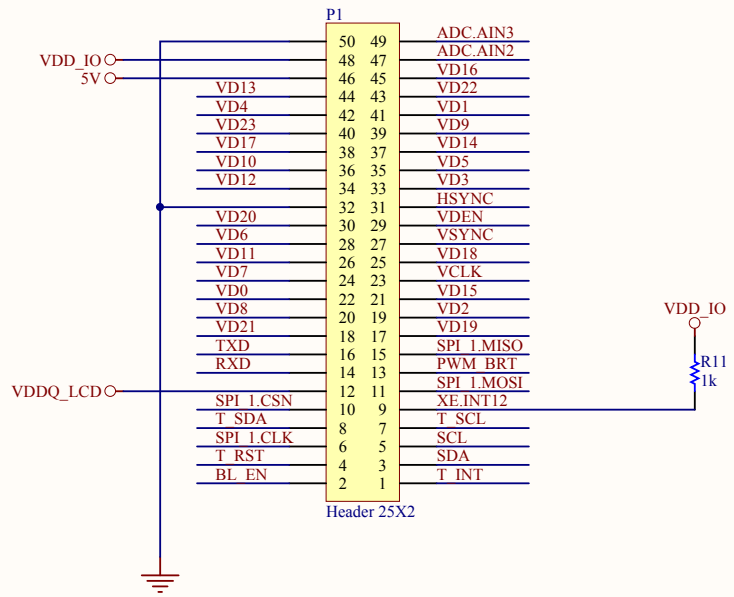
BACK LIGHT



TOUCH

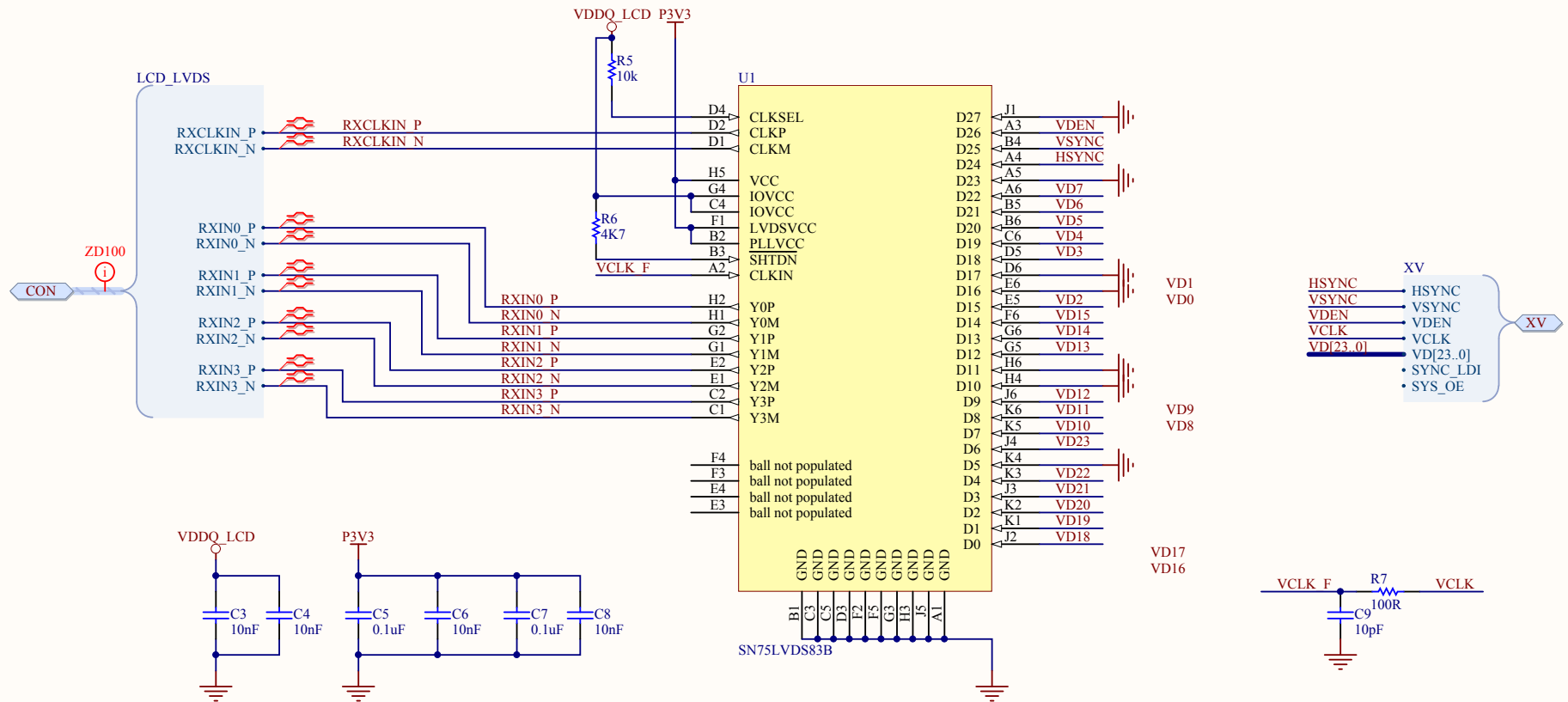


EXT.



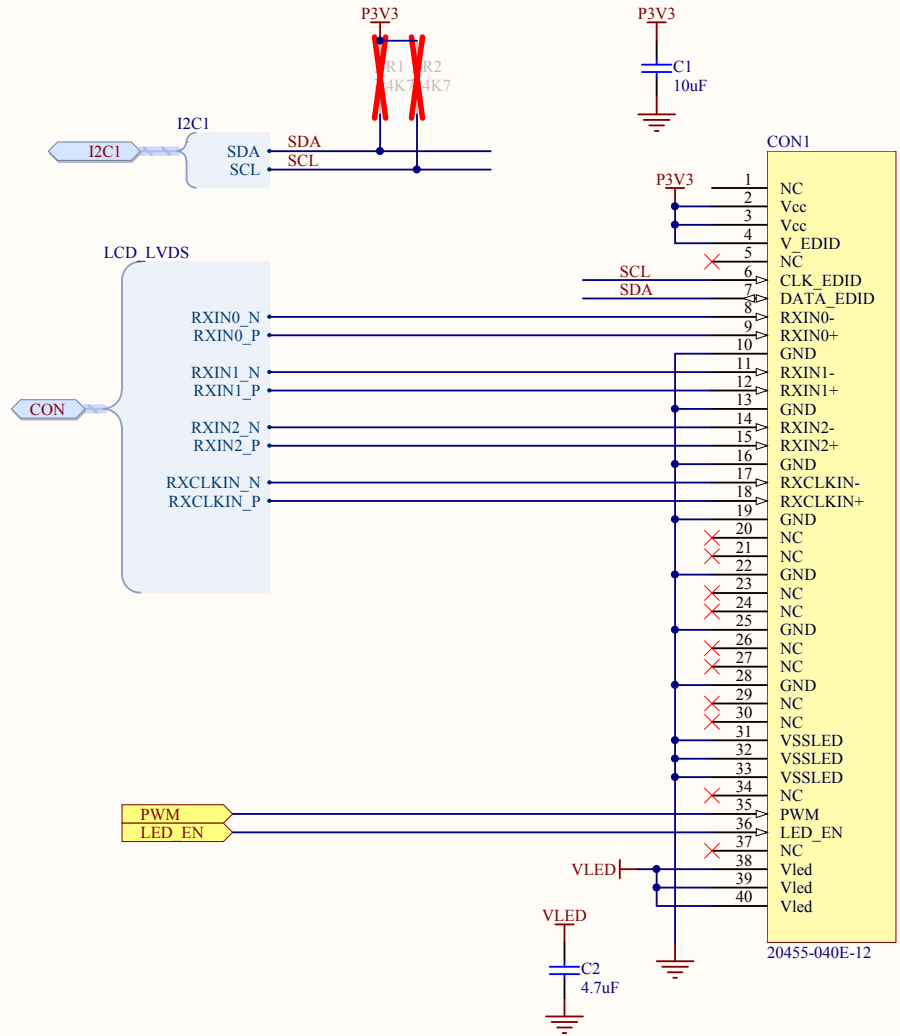
Title CON_LCD_MODULE			R&D PART
Size: A4	Number: 2	Revision: 0.2	704 Anyang K-center 1591-9
Date: 2012-07-31	Time: 오후 3:32:43	Sheet2 of 4	Burim Dongan Gu
File: C:\project\hw\hkl\PC4PC-BASE\LCD_BD\CON_LCD_MODULE.SchDoc			Gyeongido
			South Korea





Title LVDS Transmitter		R&D PART 704 Anyang K-center 1591-9 Burim Dongan Gu Gyeongido South Korea	
Size: A4	Number: 3	Revision: 0.2	
Date: 2012-07-31	Time: 오후 3:32:43	Sheet 3 of 4	
File: C:\project\hw\hkl\PC4PC-BASE\LCD BD\LCD_LVDS_TRANSMITTER_SN75LVDS83B.SchDoc			





Title CON_LCD		R&D PART 704 Anyang K-center 1591-9 Burim Dongan Gu Gyeonggido South Korea	
Size: A4	Number: 4	Revision: 0.2	
Date: 2012-07-31	Time: 오후 3:32:43	Sheet 4 of 4	
File: C:\project\hw\hkl\PC\4PC-BASE\LCD_BD\CON_LCD_IPEX_20455-040E-12.SchDoc			

