

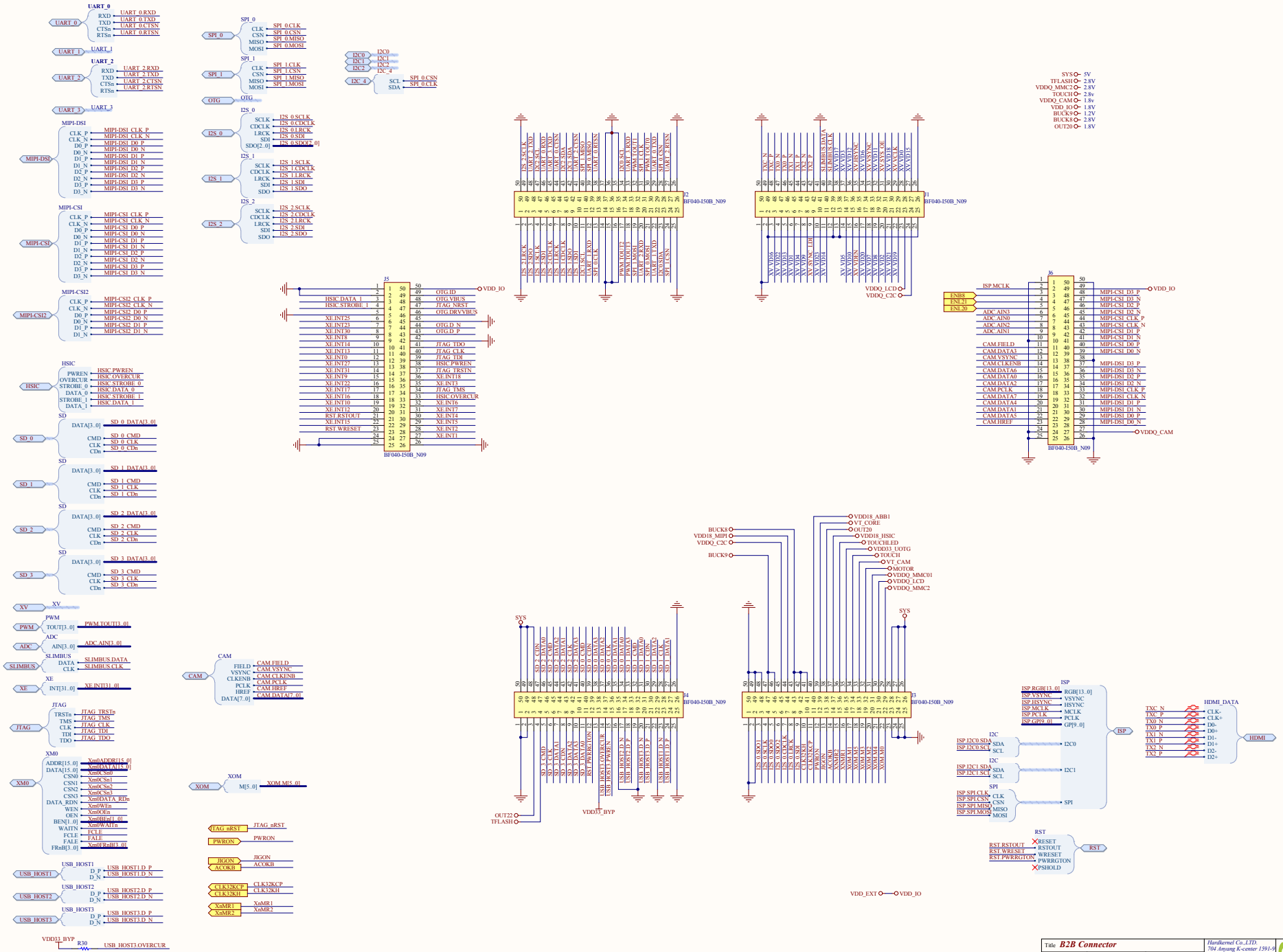
**Mounting Holes**

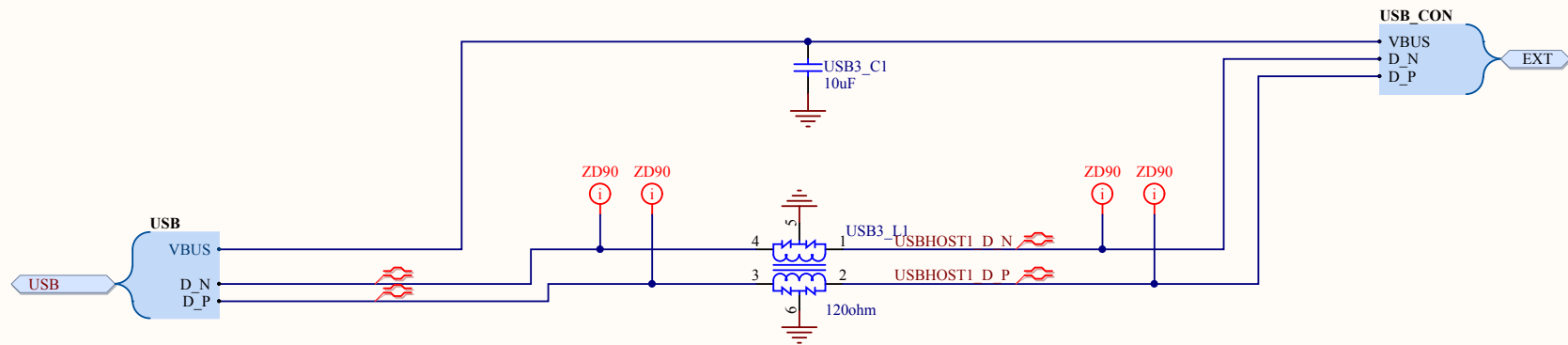
- ~~MH1~~  
MOUNTING HOLE 3MM
- ~~MH2~~  
MOUNTING HOLE 3MM
- ~~MH3~~  
MOUNTING HOLE 3MM
- ~~MH4~~  
MOUNTING HOLE 3MM

**Heat Sink**



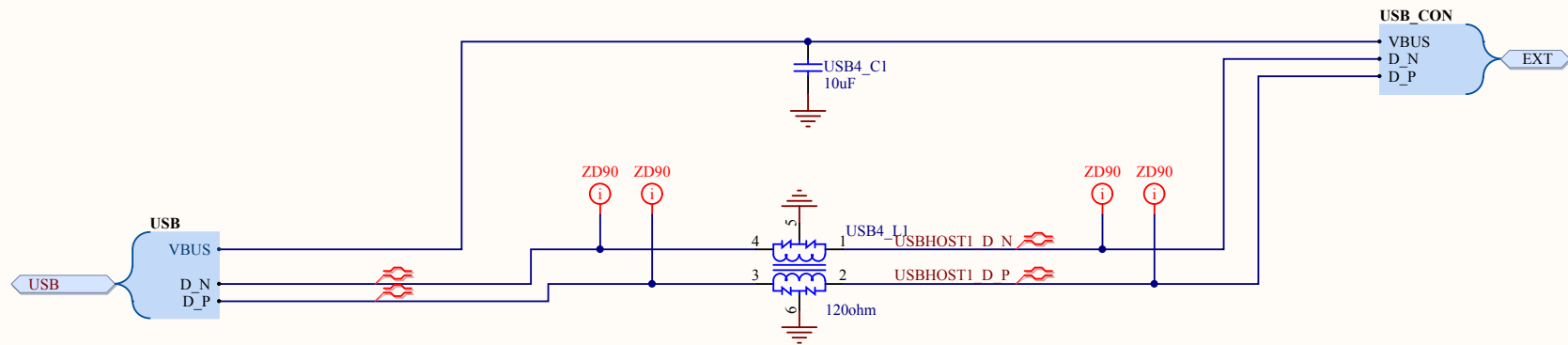
- I2C0
- HSIC
- SLIMBUS
- CLK32KCP
- CLK32KH
- ACOKB




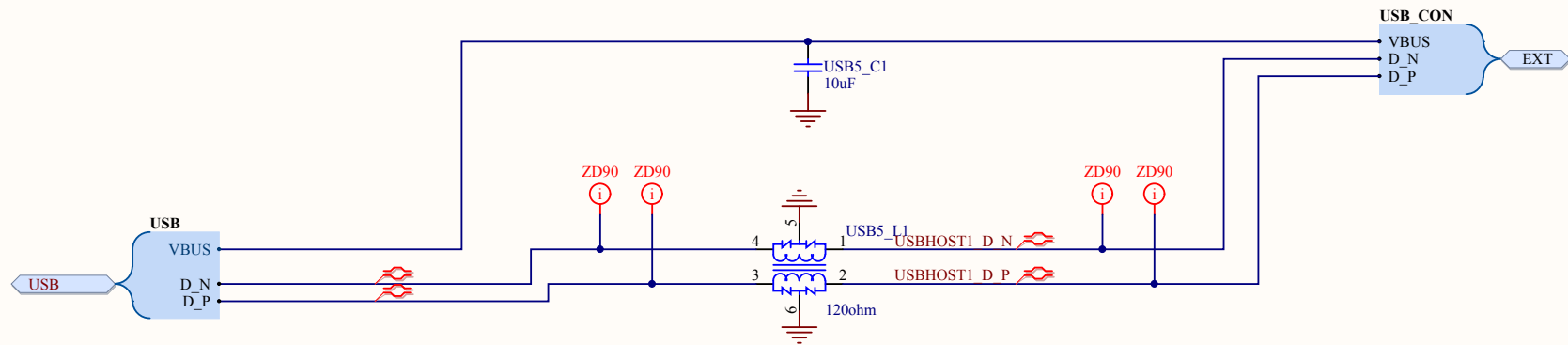


|   |                  |              |                             |
|---|------------------|--------------|-----------------------------|
| Title <b>USB HOST</b>                               |                  |              | Hardkernel Co.,LTD.         |
| Size: A4  | Number:3         | Revision:0.4 | 1-605 Shinan Metrokhan 1115 |
| Date: 2012-09-03                                    | Time: 오후 6:21:39 | Sheet3 of 21 | Dalandong, Dongangu, Anyang |
| File: C:\project\hw\hkl\PC\4PC-BASE\USB_HOST.SchDoc |                  |              | Gyeongido                   |
|   |                  |              | South Korea                 |



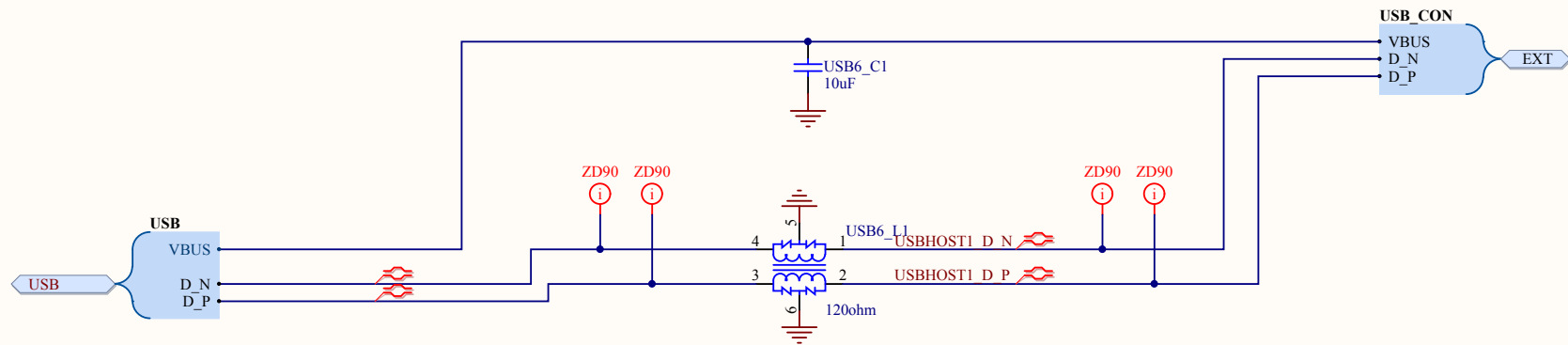



|   |                  |              |   |
|---|------------------|--------------|---|
| Title <b>USB HOST</b>                               |                  |              | Hardkernel Co.,LTD.<br>1-605 Shinan Metrokhan 1115<br>Dalandong, Dongangu, Anyan<br>Gyeonggido<br>South Korea |
| Size: A4  | Number:3         | Revision:0.4 |                          |
| Date: 2012-09-03                                    | Time: 오후 6:21:40 | Sheet3 of 21 |   |
| File: C:\project\hw\hkl\PC\4PC-BASE\USB_HOST.SchDoc |                  |              |   |

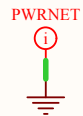
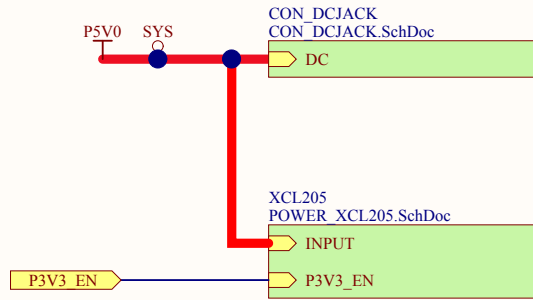



|   |                  |              |   |
|---|------------------|--------------|---|
| Title <b>USB HOST</b>                               |                  |              | Hardkernel Co.,LTD.<br>1-605 Shinan Metrokhan 1115<br>Dalandong, Dongangu, Anyan<br>Gyeonggido<br>South Korea |
| Size: A4  | Number:3         | Revision:0.4 |   |
| Date: 2012-09-03                                    | Time: 오후 6:21:40 |              | Sheet3 of 21  |
| File: C:\project\hw\hkl\PC\4PC-BASE\USB_HOST.SchDoc |                  |              |   |

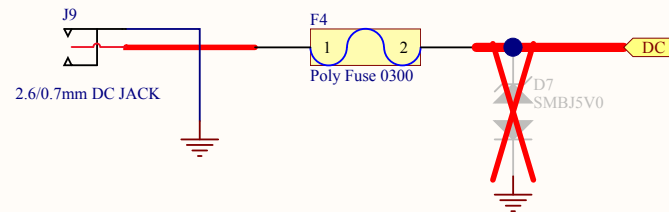




|   |                  |              |   |
|---|------------------|--------------|---|
| Title <b>USB HOST</b>                               |                  |              | Hardkernel Co.,LTD.<br>1-605 Shinan Metrokhan 1115<br>Dalandong, Dongangu, Anyan<br>Gyeonggido<br>South Korea |
| Size: A4  | Number:3         | Revision:0.4 |                          |
| Date: 2012-09-03                                    | Time: 오후 6:21:40 | Sheet3 of 21 |   |
| File: C:\project\hw\hkl\PC\4PC-BASE\USB_HOST.SchDoc |                  |              |   |

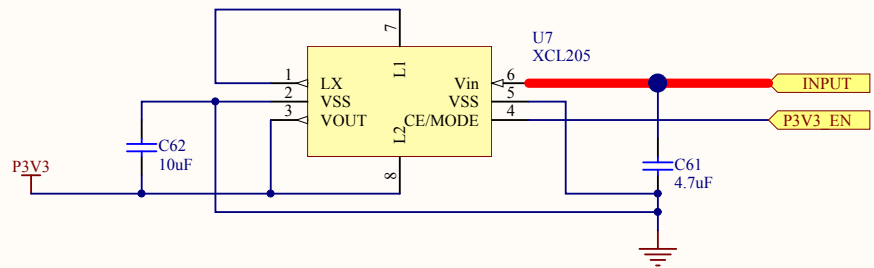


|   |                                |              |   |   |
|---|--------------------------------|--------------|---|---|
| Title <b>POWER</b>                                      |                                |              | Hardkernel Co.,LTD.<br>1-605 Shinan Metrokhan 1115<br>Dalandong, Dongangu, Anyan<br>Gyeonggido<br>South Korea |  |
| Size: A4  | Number:4                       | Revision:0.4 |   |   |
| Date: 2012-09-03  | Time: 오후 6:21:40 Sheet 4 of 21 |              |   |   |
| File: C:\project\hw\hkl\PC\4PC-BASE\ODROID-X PSU.SchDoc |                                |              |   |   |

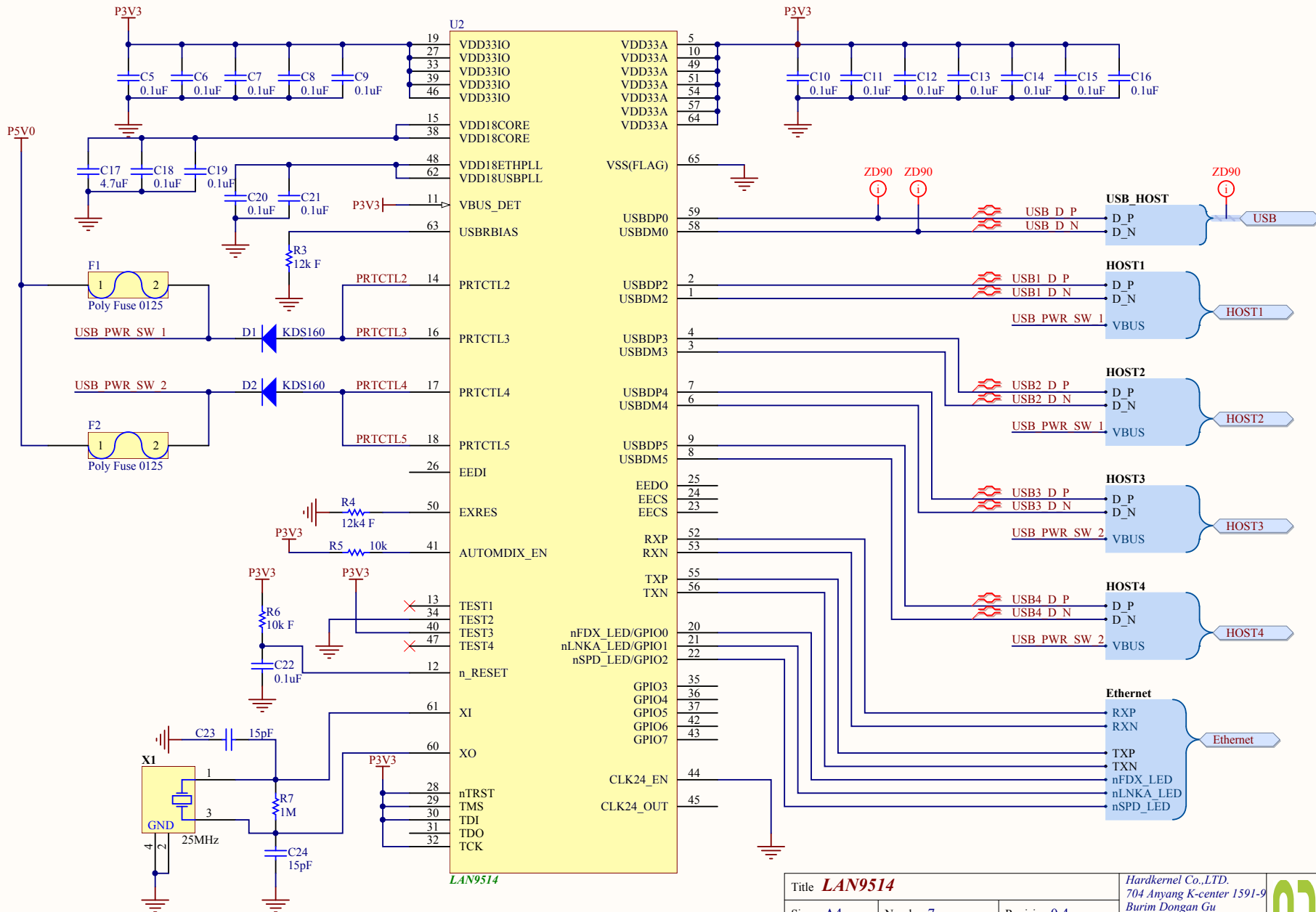


|   |                  |              |   |
|---|------------------|--------------|---|
| Title <b>DC Jack</b>                                  |                  |              | Hardkernel Co.,LTD.<br>704 Anyang K-center 1591-9<br>Burim, Dongangu, Anyang<br>Gyeonggido<br>South Korea |
| Size: A4  | Number:5         | Revision:0.4 | <b>ANDROID</b>  |
| Date: 2012-09-03                                      | Time: 오후 6:21:40 | Sheet5 of 21 |   |
| File: C:\project\hw\hkl\PC\4PC-BASE\CON_DCJACK.SchDoc |                  |              |   |



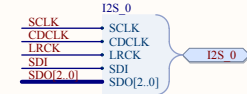
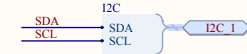
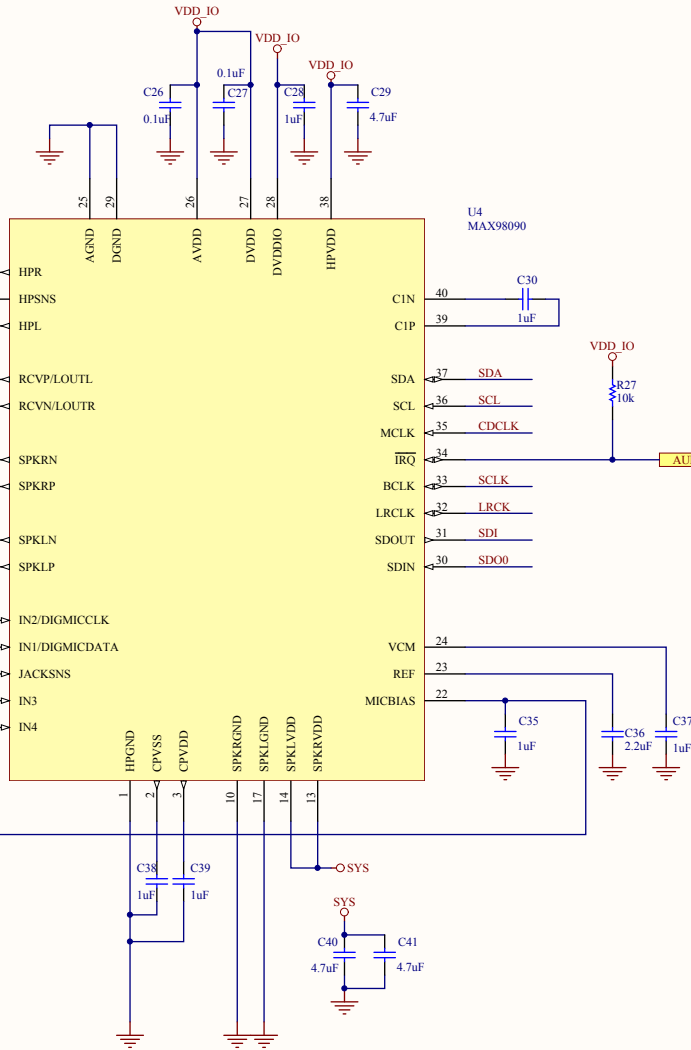
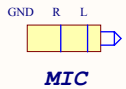
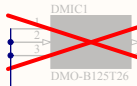
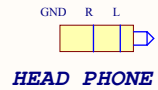


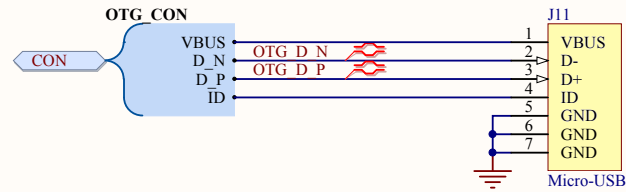
|   |                  |              |   |  |
|---|------------------|--------------|---|--|
| Title <b>POWER_XCL205</b>                               |                  |              | Hardkernel Co.,LTD.<br>704 Anyang K-center 1591-9<br>Burim, Dongangu, Anyang<br>Gyeonggido<br>South Korea |  |
| Size: A4  | Number:6         | Revision:0.4 |   |  |
| Date: 2012-09-03  | Time: 오후 6:21:40 |              | Sheet6 of 21  |  |
| File: C:\project\hw\hkl\PC\4PC-BASE\POWER_XCL205.SchDoc |                  |              |   |  |




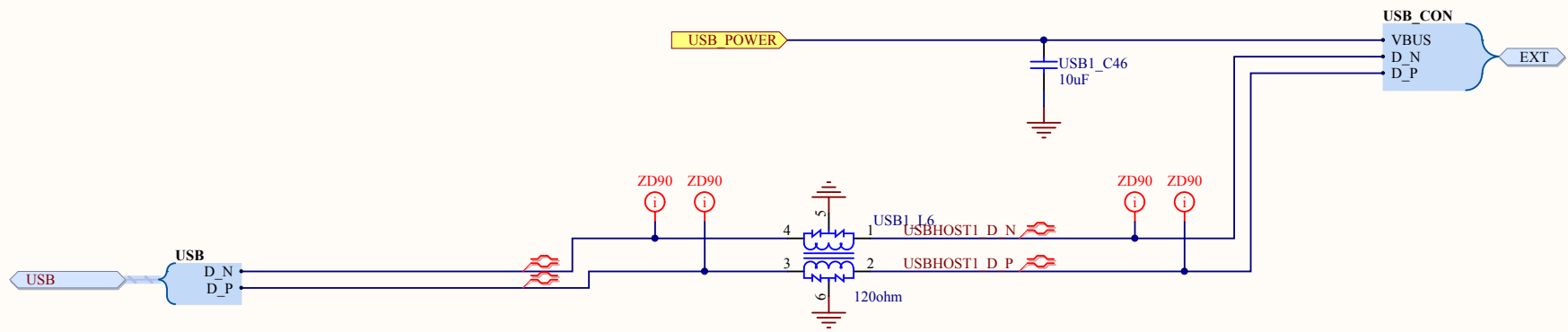
|  |                  |   |  |
|--|------------------|---|--|
| Title <b>LAN9514</b>   |                  | Hardkernel Co.,LTD.<br>704 Anyang K-center 1591-9<br>Burim Dongan Gu<br>Gyeonggido<br>South Korea |  |
| Size: A4   | Number:7         | Revision:0.4  |  |
| Date: 2012-09-03   | Time: 오후 6:21:40 | Sheet7 of 21  |  |
| File: C:\project\hw\hkl\PC4PC-BASE\USB_HUB_ETHERNET_LAN9514.SchDoc |                  |   |  |





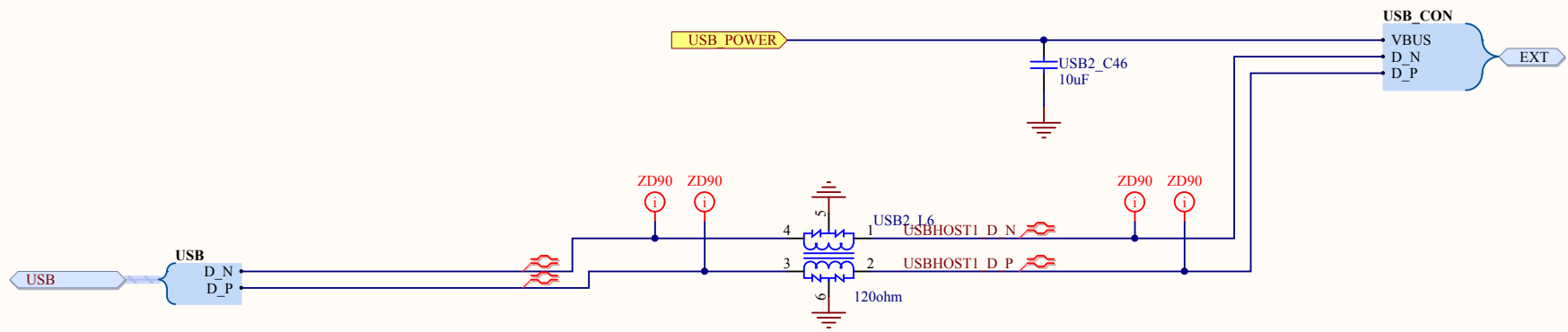


|   |                  |              |   |   |
|---|------------------|--------------|---|---|
| Title <b>Micro USB Connector</b>                        |                  |              | Hardkernel Co.,LTD.<br>704 Anyang K-center 1591-9<br>Burim, Dongangu, Anyang<br>Kyeongdo<br>South Korea |  |
| Size: A4  | Number:9         | Revision:0.4 |   |   |
| Date: 2012-09-03  | Time: 오후 6:21:41 | Sheet9 of 21 |   |   |
| File: C:\project\hw\hkl\PC\4PC-BASE\CON_MICROUSB.SchDoc |                  |              |   |   |



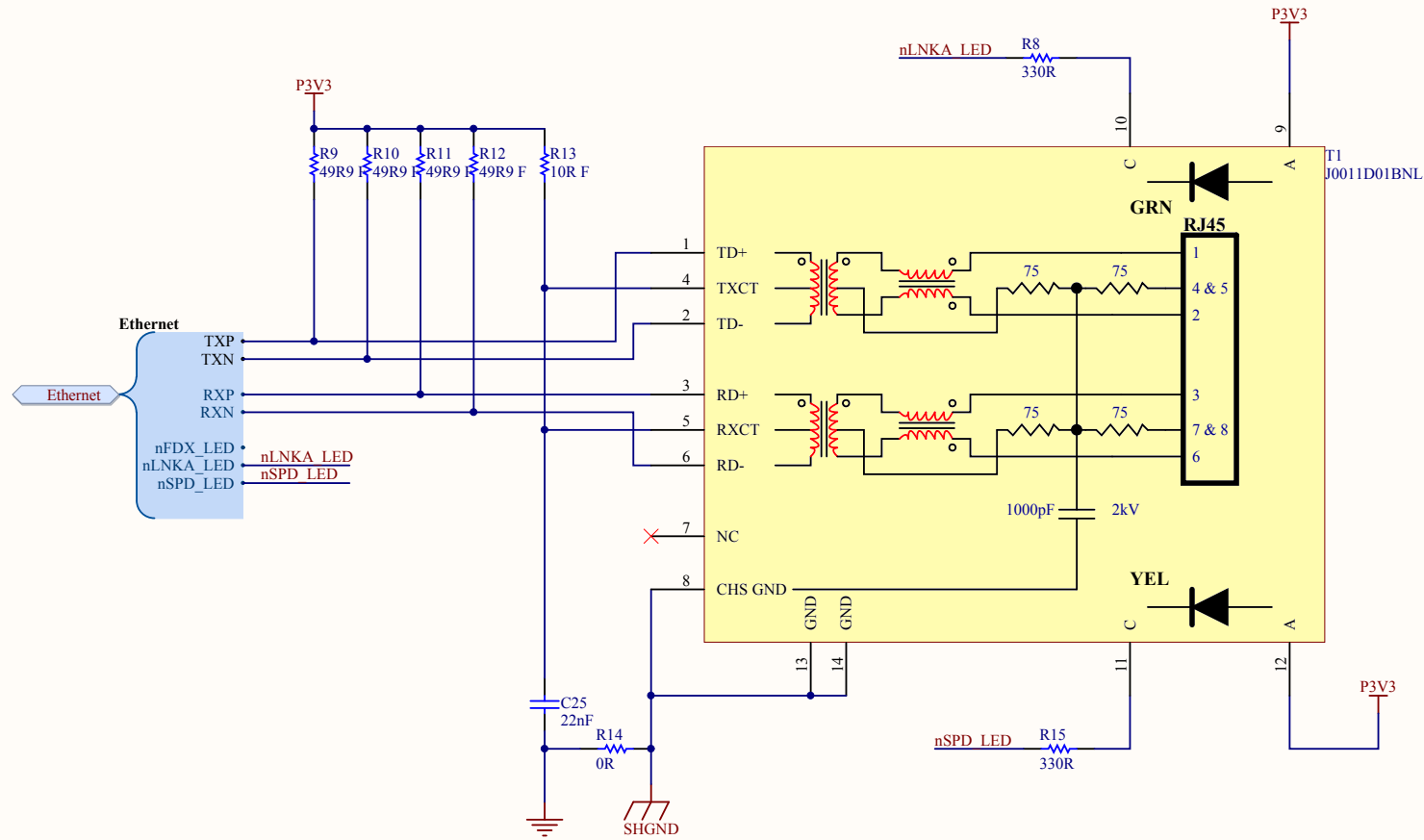
|  |                  |                |                            |
|--|------------------|----------------|----------------------------|
| Title *  |                  |                | Hardkernel Co.,LTD.        |
| Size: A4   | Number:10        | Revision:0.4   | 704 Anyang K-center 1591-9 |
| Date: 2012-09-03   | Time: 오후 6:21:41 | Sheet 10 of 21 | Burim, Dongangu, Anyang    |
| File: C:\project\hw\hkl\PC\4PC-BASE\USB_HOST_PWR_SW.SchDoc |                  |                | Gyeongdo                   |
|  |                  |                | South Korea                |





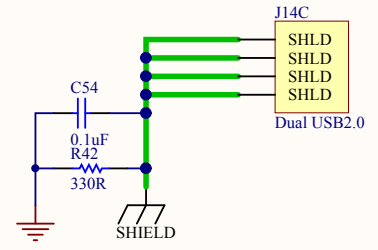
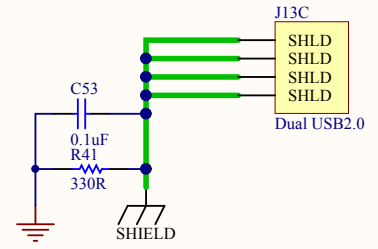
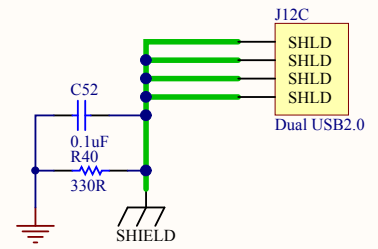
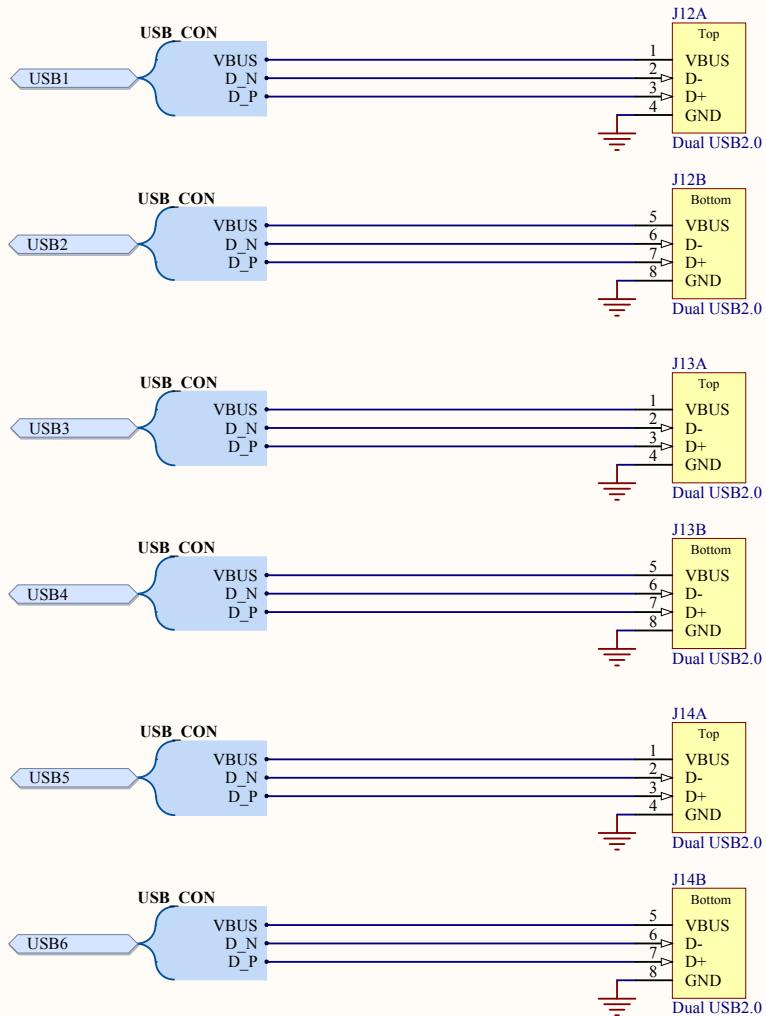
|  |                  |                |                            |
|--|------------------|----------------|----------------------------|
| Title *  |                  |                | Hardkernel Co.,LTD.        |
| Size: A4   | Number:10        | Revision:0.4   | 704 Anyang K-center 1591-9 |
| Date: 2012-09-03   | Time: 오후 6:21:41 | Sheet 10 of 21 | Burim, Dongangu, Anyang    |
| File: C:\project\hw\hkl\PC\4PC-BASE\USB_HOST_PWR_SW.SchDoc |                  |                | Gyeongdo                   |
|  |                  |                | South Korea                |





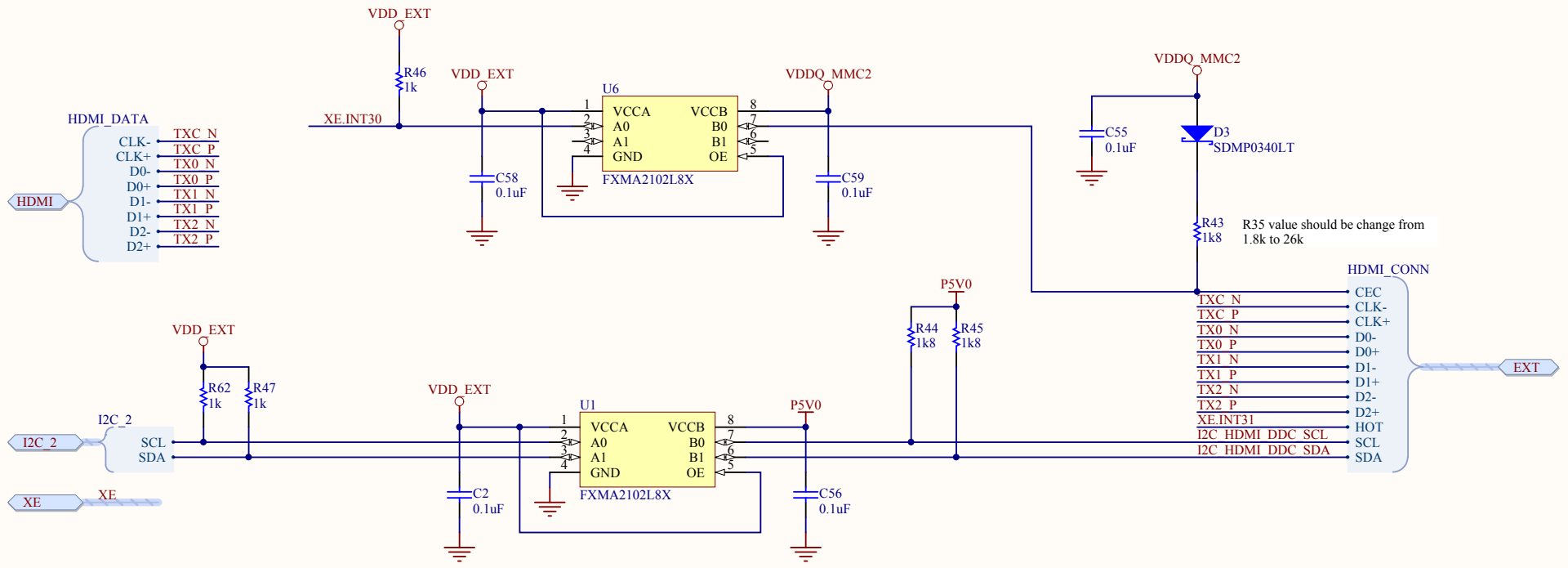
|  |                  |   |  |
|--|------------------|---|--|
| Title <b>Ethernet</b>                                  |                  | Hardkernel Co.,LTD.<br>704 Anyang K-center 1591-9<br>Burim, Dongangu, Anyang<br>Gyeonggido<br>South Korea |  |
| Size: A4   | Number:11        | Revision:0.4  |  |
| Date: 2012-09-03                                       | Time: 오후 6:21:41 | Sheet 11 of 21  |  |
| File: C:\project\hw\hkl\PC4PC-BASE\CON_ETHERNET.SchDoc |                  |   |  |





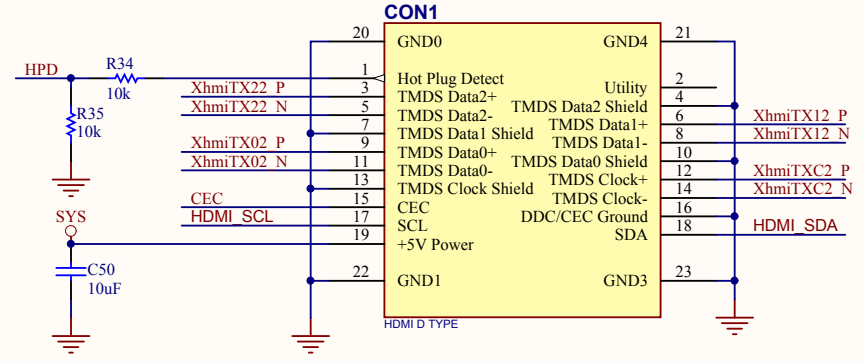
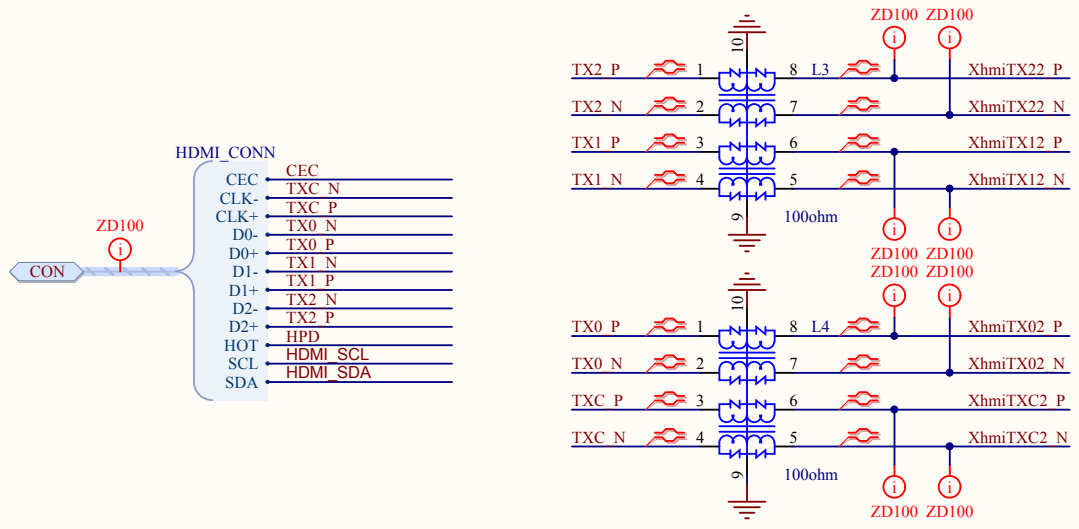
|   |                  |                |  |
|---|------------------|----------------|--|
| Title <b>USB 2.0 Type A Connector</b>                 |                  |                | Hardkernel Co.,LTD.<br>1-605 Shinan Metrokhan 1115<br>Dalandong, Dongangu, Anyang<br>Gyeonggido<br>South Korea |
| Size: A4  | Number: 12       | Revision: 0.4  | <b>ANDROID</b>   |
| Date: 2012-09-03                                      | Time: 오후 6:21:41 | Sheet 12 of 21 |  |
| File: C:\project\hw\hkl\PC\4PC-BASE\CON_USB_RA.SchDoc |                  |                |  |



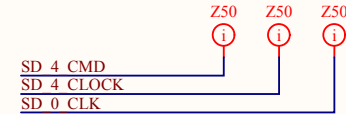
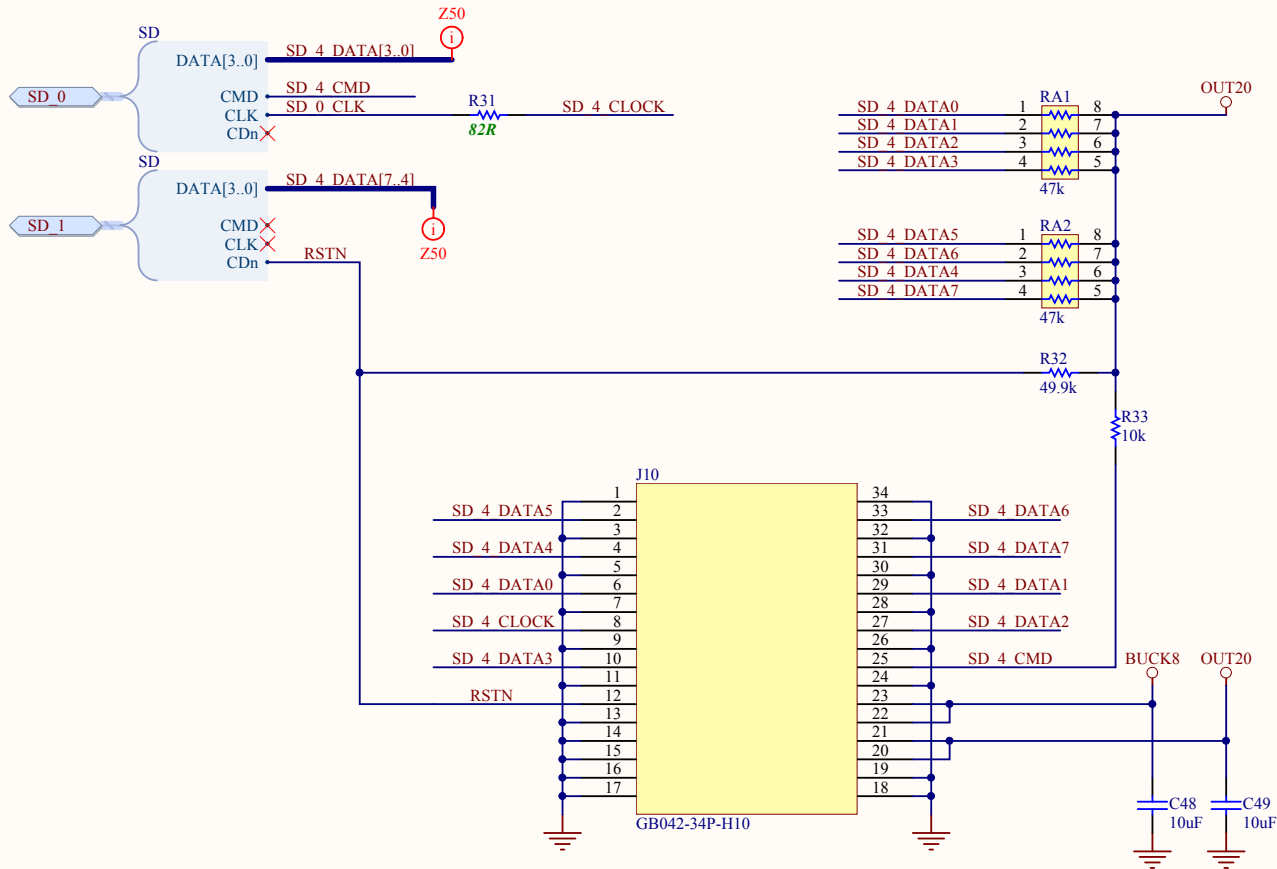


|   |                  |   |  |
|---|------------------|---|--|
| Title <b>HDMI 2C</b>                                |                  | Hardkernel Co.,LTD.<br>704 Anyang K-center 1591-9<br>Burim, Dongangu, Anyang<br>Kyeonggido<br>South Korea |  |
| Size: A4  | Number: 13       | Revision: 0.4   |  |
| Date: 2012-09-03                                    | Time: 오후 6:21:41 | Sheet 13 of 21  |  |
| File: C:\project\hw\hkl\PC\4PC-BASE\HDMI_I2C.SchDoc |                  | I2C   |  |



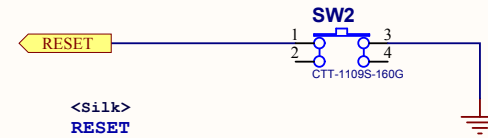
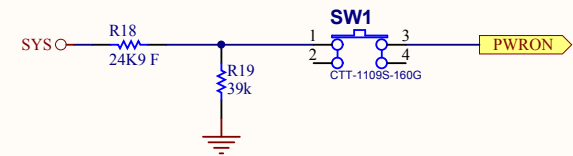
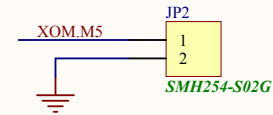
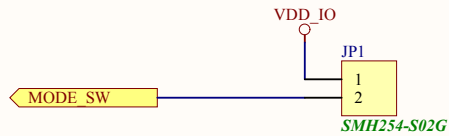
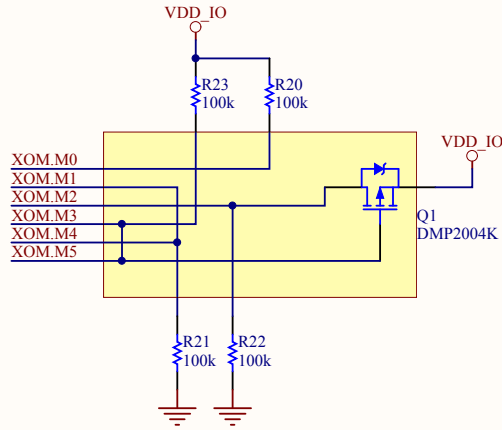
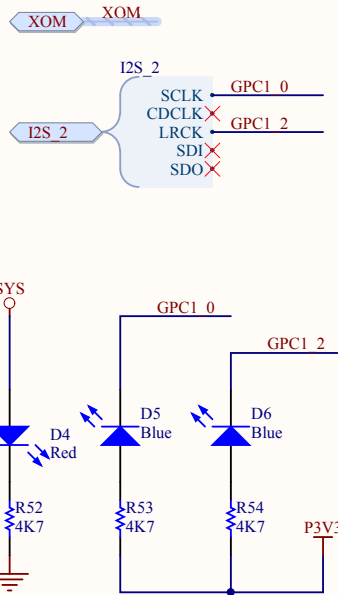


|   |                  |                |   |
|---|------------------|----------------|---|
| Title <b>Micro HDMI Connector</b>                   |                  |                | Hardkernel Co.,LTD.<br>704 Anyang K-center 1591-9<br>Burim, Dongangu, Anyang<br>Kyeonggido<br>South Korea |
| Size: A4  | Number: 14       | Revision: 0.4  |   |
| Date: 2012-09-03                                    | Time: 오후 6:21:41 | Sheet 14 of 21 |   |
| File: C:\project\hw\hkl\PC\4PC-BASE\CON_HDMI.SchDoc |                  |                |   |

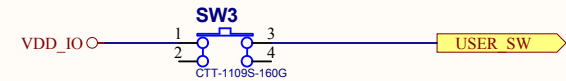


|   |                                 |   |  |
|---|---------------------------------|---|--|
| Title <b>CON_EMMC</b>                               |                                 | Hardkernel Co.,LTD.<br>704 Anyang K-center 1591-9<br>Burim Dongan Gu<br>Gyeonggido<br>South Korea |  |
| Size: A4  | Number:15                       | Revision:0.4  |  |
| Date: 2012-09-03                                    | Time: 오후 6:21:42 Sheet 15 of 21 |   |  |
| File: C:\project\hw\hkl\PC\4PC-BASE\CON_EMMC.SchDoc |                                 |   |  |



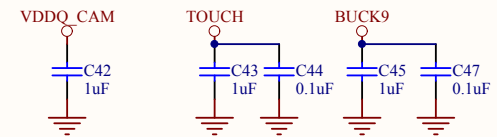
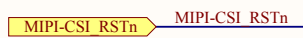
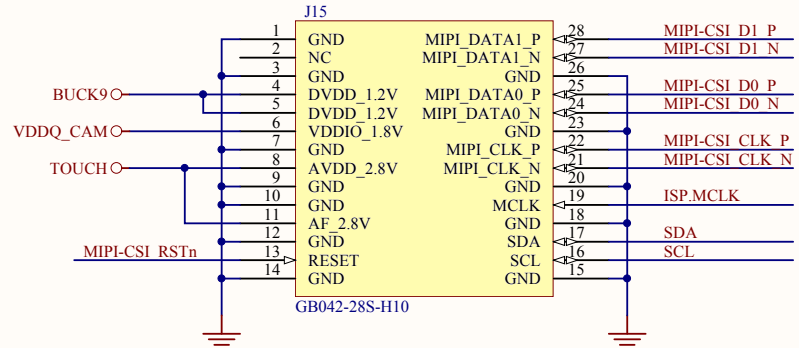
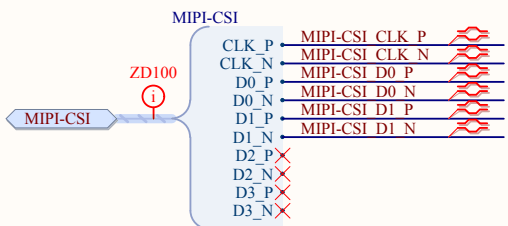


### Reset Circuitry



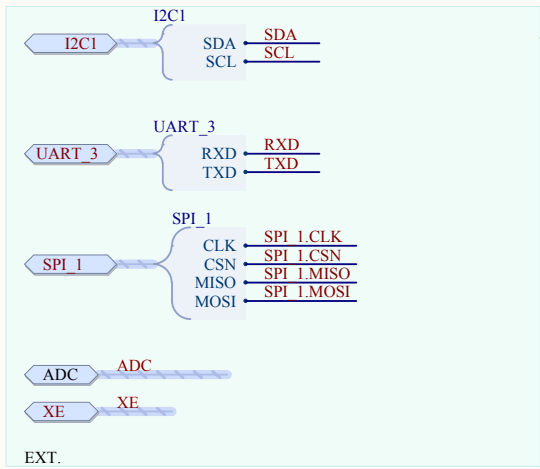
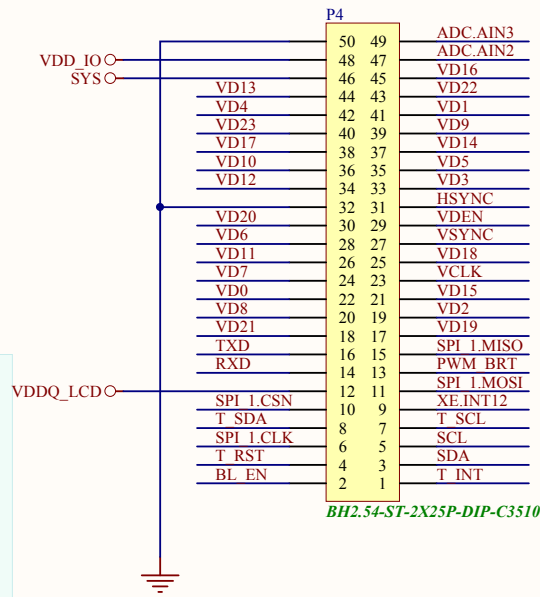
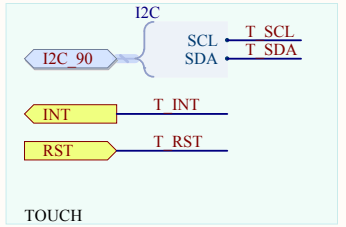
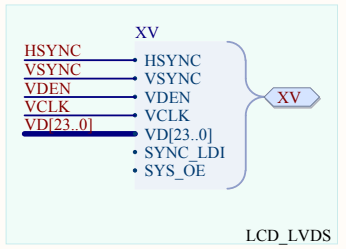
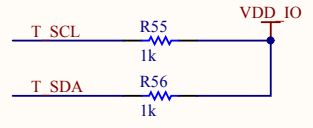
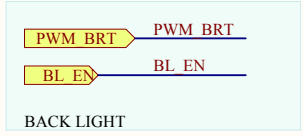
|   |                  |   |  |
|---|------------------|---|--|
| Title <b>Keys, Boot MODE</b>                      |                  | Hardkernel Co.,LTD.<br>704 Anyang K-center 1591-9<br>Burim Dongan Gu<br>Gyeonggido<br>South Korea |  |
| Size: A4  | Number:16        | Revision:0.4  |  |
| Date: 2012-09-03                                  | Time: 오후 6:21:42 | Sheet 16 of 21  |  |
| File: C:\project\hw\hkl\PC\4PC-BASE\X_KEYS.SchDoc |                  |   |  |





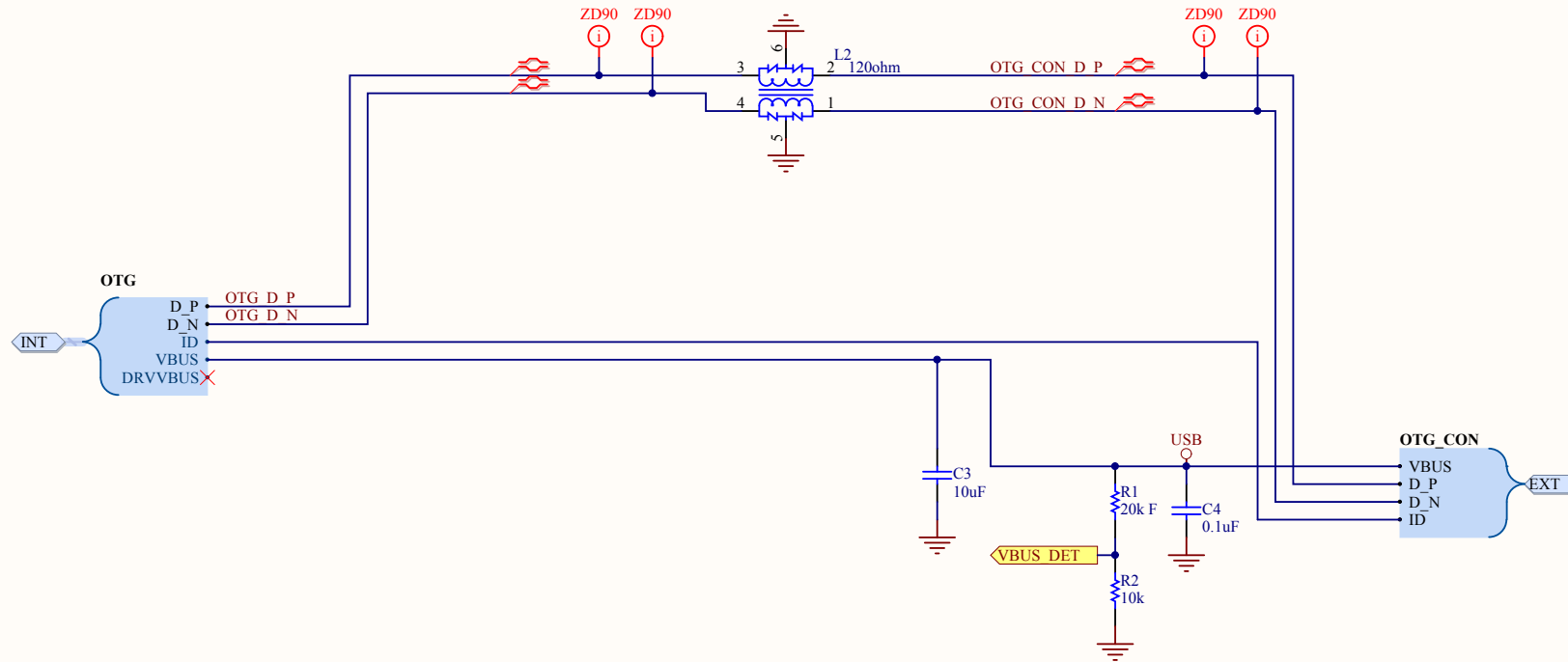
|  |                  |   |  |
|--|------------------|---|--|
| Title <b>Con - Camera</b>                            |                  | Hardkernel Co.,LTD.<br>704 Anyang K-Center,<br>Gwanyang, Dongan, Anyang,<br>Gyeonggido<br>South Korea |  |
| Size: A4   | Number: 17       | Revision: 0.4   |  |
| Date: 2012-09-03                                     | Time: 오후 6:21:42 | Sheet 17 of 21  |  |
| File: C:\project\hw\hkl\PC4PC-BASE\CON_CAMERA.SchDoc |                  |   |  |

Cannot open file  
C:\Users\ydongyo\Do  
wnloads\Odroid-A\_Lo



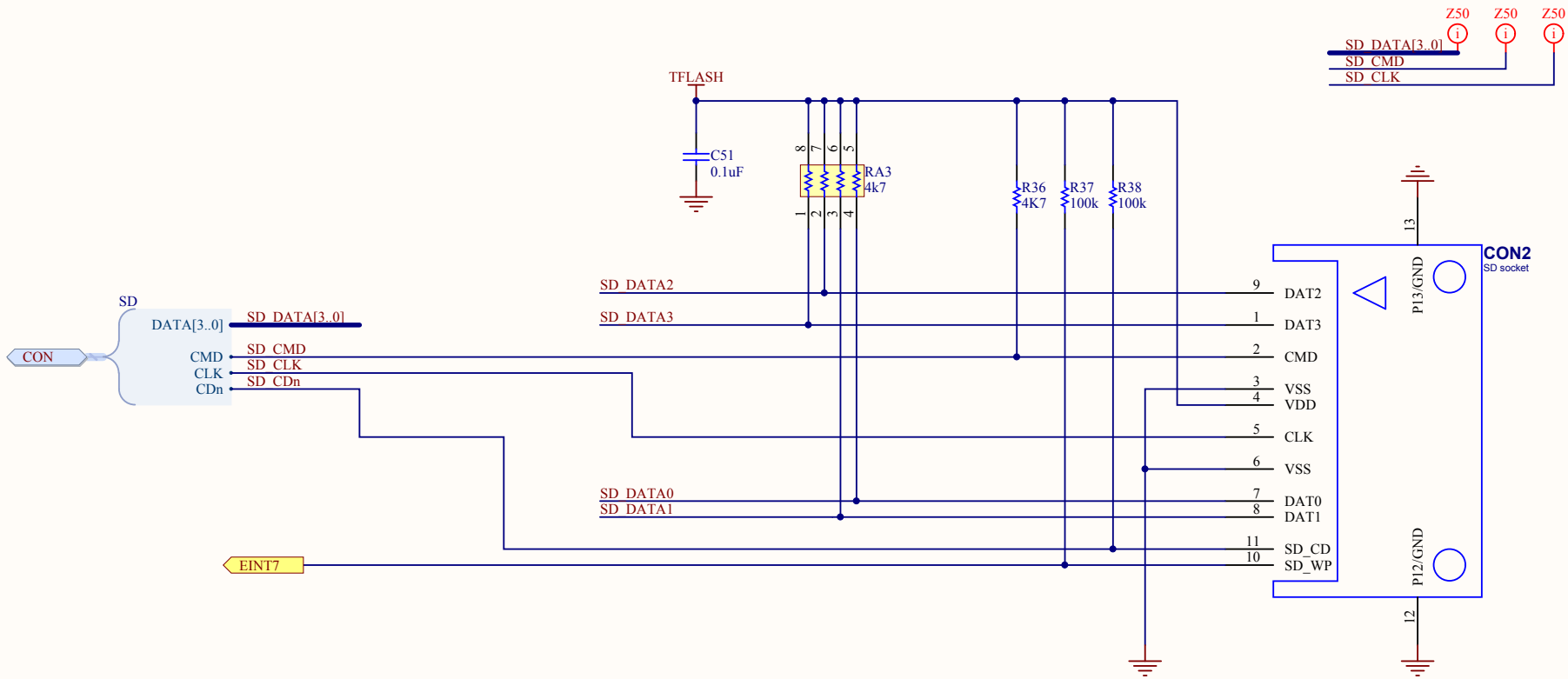
|   |                  |   |  |
|---|------------------|---|--|
| Title <b>LCD Module Connector</b>                         |                  | Hardkernel Co.,LTD.<br>704 Anyang K-center 1591-9<br>Burim, Dongangu, Anyang<br>Gyeonggido<br>South Korea |  |
| Size: A4  | Number: 18       | Revision: 0.4   |  |
| Date: 2012-09-03  | Time: 오후 6:21:42 | Sheet 18 of 21  |  |
| File: C:\project\hw\hkl\PC\4PC-BASE\CON_LCD_MODULE.SchDoc |                  |   |  |





|  |                  |                     |                             |
|--|------------------|---------------------|-----------------------------|
| Title <b>USB OTG</b>                               |                  | Hardkernel Co.,LTD. |                             |
| Size: A4   | Number:19        | Revision:0.4        | 1-605 Shinan Metrokhan 1115 |
| Date: 2012-09-03                                   | Time: 오후 6:21:42 | Sheet 19 of 21      | Dalandong, Dongangu, Anyan  |
| File: C:\project\hw\hkl\PC\4PC-BASE\USB_OTG.SchDoc |                  | Gyeongido           |                             |
|  |                  | South Korea         |                             |

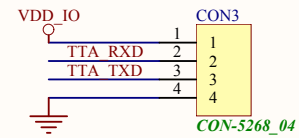
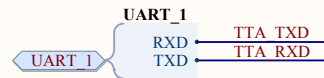





|  |                                 |   |  |
|--|---------------------------------|---|--|
| Title <b>CON_SD</b>  |                                 | Hardkernel Co.,LTD.<br>704 Anyang K-center 1591-9<br>Burim, Dongangu, Anyang<br>Gyeonggido<br>South Korea |  |
| Size: A4   | Number:20                       | Revision:0.4  |  |
| Date: 2012-09-03   | Time: 오후 6:21:42 Sheet 20 of 21 |   |  |
| File: C:\project\hw\hkl\PC\4PC-BASE\CON_SD_WALTA-F03-0647-00001.SchDoc |                                 |   |  |







|   |                                 |              |   |   |
|---|---------------------------------|--------------|---|---|
| Title <b>CON_UART</b>                               |                                 |              | Hardkernel Co.,LTD.<br>704 Anyang K-center 1591-9<br>Burim, Dongangu, Anyang<br>Gyeonggido<br>South Korea |  |
| Size: A4  | Number:21                       | Revision:0.4 |   |   |
| Date: 2012-09-03                                    | Time: 오후 6:21:42 Sheet 21 of 21 |              |   |   |
| File: C:\project\hw\hkl\PC\4PC-BASE\CON_UART.SchDoc |                                 |              |   |   |