

ATmegaTQ6401A

1.00 First Version

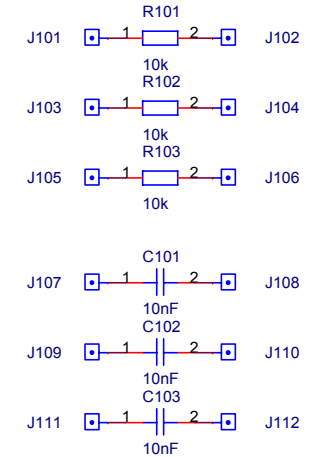
Alternatives:

ATmega64 ATmega165
 ATmega128 ATmega325
 ATmega1281 ATmega645
 ATmega2561 and more ...

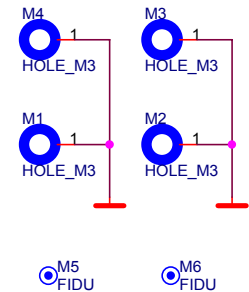
Devices just for reference (pinout)

U101	U102	U103	U104
1 PEN#	AVCC	64 1 PG5/OC0B	AVCC
2 PE0/RXD0/PDI	GND	63 2 PE0/RXD0/PCINT8/PDI	GND
3 PE1/TXD0/PDO	AREF	62 3 PE1/TXD0/PDO	AREF
4 PE2/XCK0/AIN0	ADC0/PF0	61 4 PE2/XCK0/AIN0	ADC0/PF0
5 PE3/OC3A/AIN1	ADC1/PF1	60 5 PE3/OC3A/AIN1	ADC1/PF1
6 PE4/OC3B/INT4	ADC2/PF2	59 6 PE4/OC3B/INT4	ADC2/PF2
7 PE5/OC3C/INT5	ADC3/PF3	58 7 PE5/OC3C/INT5	ADC3/PF3
8 PE6/T3/INT6	ADC4/TCK/PF4	57 8 PE6/T3/INT6	ADC4/TCK/PF4
9 PE7/ICP3/INT7	ADC5/TMS/PF5	56 9 PE7/ICP3/INT7	ADC5/TMS/PF5
10 PB0/SS#	ADC6/TDO/PF6	55 10 PB0/SS#/PCINT0	ADC6/TDO/PF6
11 PB1/SCK	ADC7/TDI/PF7	54 11 PB1/SCK/PCINT1	ADC7/TDI/PF7
12 PB2/MOSI	GND	53 12 PB2/MOSI/PCINT2	GND
13 PB3/MISO	VCC	52 13 PB3/MISO/PCINT3	VCC
14 PB4/OC0	AD0/PA0	51 14 PB4/OC0A/PCINT4	AD0/PA0
15 PB5/OC1A	AD1/PA1	50 15 PB5/OC1A/PCINT5	AD1/PA1
16 PB6/OC1B	AD2/PA2	49 16 PB6/OC1B/PCINT6	AD2/PA2
17 PB7/OC2/OC1C	AD3/PA3	48 17 PB7/OC0A/OC1C/PCINT7	AD3/PA3
18 PG3/TOSC2	AD4/PA4	47 18 PG3/TOSC2	AD4/PA4
19 PG4/TOSC1	AD5/PA5	46 19 PG4/TOSC1	AD5/PA5
20 RESET#	AD6/PA6	45 20 RESET#	AD6/PA6
21 VCC	AD7/PA7	44 21 VCC	AD7/PA7
22 GND	ALE/PG2	43 22 GND	PG2
23 XTAL2	A15/PC7	42 23 XTAL2	A15/PC7
24 XTAL1	A14/PC6	41 24 XTAL1	A14/PC6
25 PD0/SCL/INT0	A13/PC5	40 25 PD0/SCL/INT0	A13/PC5
26 PD1/SDA/INT1	A12/PC4	39 26 PD1/SDA/INT1	A12/PC4
27 PD2/RXD1/INT2	A11/PC3	38 27 PD2/RXD1/INT2	A11/PC3
28 PD3/TXD1/INT3	A10/PC2	37 28 PD3/TXD1/INT3	A10/PC2
29 PD4/ICP1	A9/PC1	36 29 PD4/ICP1	A9/PC1
30 PD5/XCK1	A8/PC0	35 30 PD5/XCK1	A8/PC0
31 PD6/T1	RD#/PG1	34 31 PD6/T1	RD#/PG1
32 PD7/T2	WR#/PG0	33 32 PD7/T0	WR#/PG0

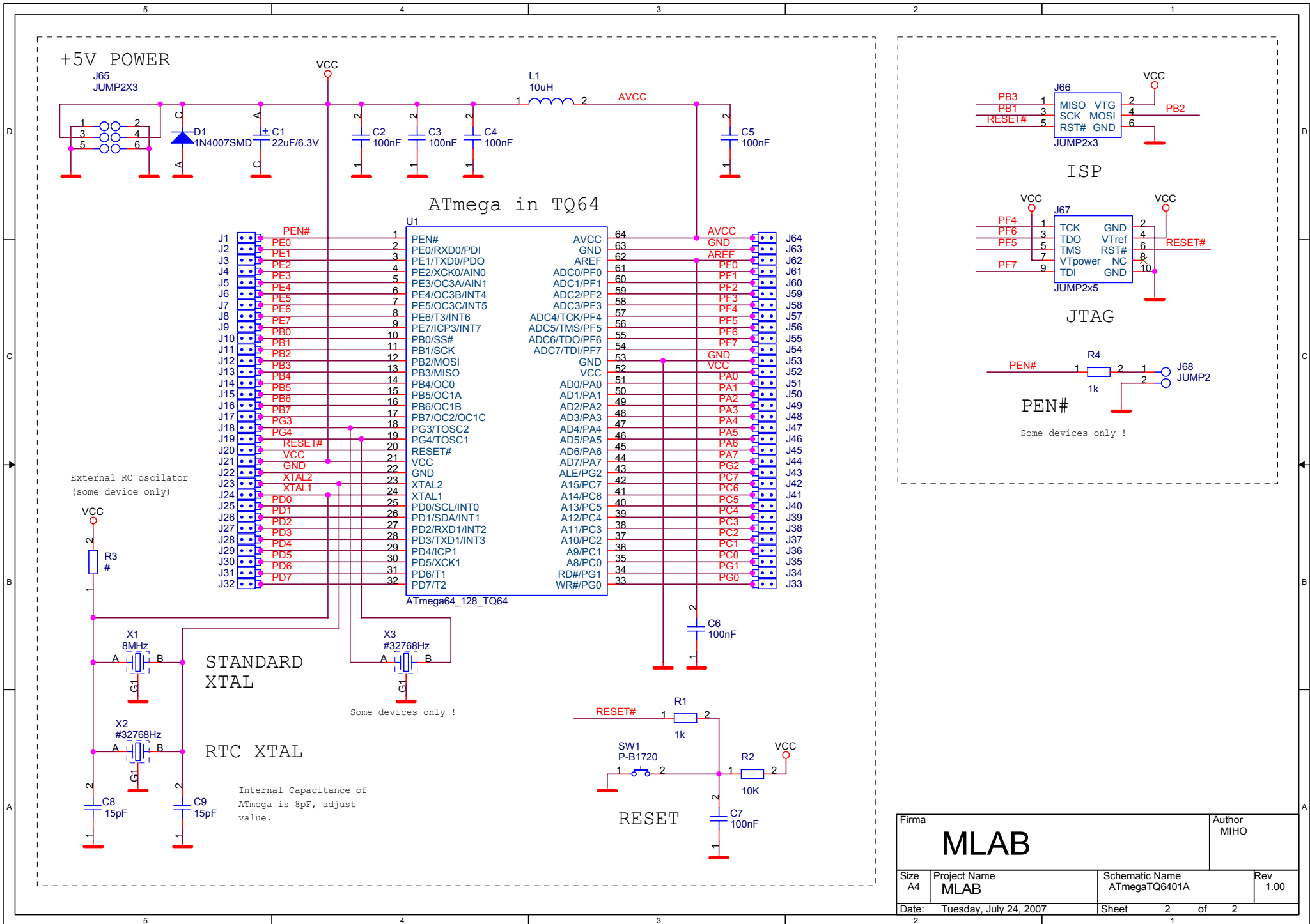
SPARE PARTS



MECHANICAL



Firma		Author	
MLAB		MIHO	
Size A4	Project Name MLAB	Schematic Name ATmegaTQ6401A	Rev 1.00
Date: Tuesday, July 24, 2007		Sheet	1 of 2



Firma		Author	
MLAB		MIHO	
Size	Project Name	Schematic Name	Rev
A4	MLAB	ATmegaTQ6401A	1.00
Date:	Tuesday, July 24, 2007	Sheet	2 of 2
		2	1