

ATmegaTQ6401A

1.00 First Version

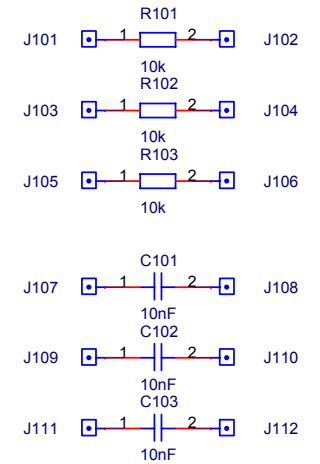
Alternatives:

ATmega64	MOSI/MISO/SCK	E0/E1/B1
ATmega128	PDI/PDO/SCK	E0/E1/B1
ATmega1281	PDI/PDO/SCK	E0/E1/B1
ATmega2561	PDI/PDO/SCK	E0/E1/B1
ATmega165	MOSI/MISO/SCK	B2/B3/B1
ATmega325	MOSI/MISO/SCK	B2/B3/B1
ATmega645	MOSI/MISO/SCK	B2/B3/B1
and more ...		

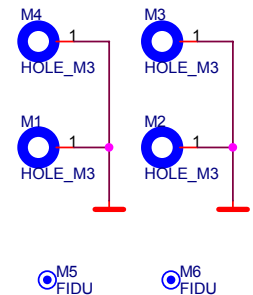
Devices just for reference (pinout)

U101			U102			U103			U104		
1	PEN#	AVCC	64	1	PG5/OC0B	AVCC	64	1	DNC	AVCC	64
2	PE0/RXD0/PDI	GND	63	2	PE0/RXD0/PCINT8/PDI	GND	63	2	PE0/RXD/PCINT0	GND	63
3	PE1/TXD0/PDO	AREF	62	3	PE1/TXD0/PDO	AREF	62	3	PE1/TXD/PCINT1	AREF	62
4	PE2/XCK0/AIN0	ADC0/PF0	61	4	PE2/XCK0/AIN0	ADC0/PF0	61	4	PE2/XCK/AIN0/PCINT2	ADC0/PF0	61
5	PE3/OC3A/AIN1	ADC1/PF1	60	5	PE3/OC3A/AIN1	ADC1/PF1	60	5	PE3/AIN1/PCINT3	ADC1/PF1	60
6	PE4/OC3B/INT4	ADC2/PF2	59	6	PE4/OC3B/INT4	ADC2/PF2	59	6	PE4/USCK/SCL/PCINT4	ADC2/PF2	59
7	PE5/OC3C/INT5	ADC3/PF3	58	7	PE5/OC3C/INT5	ADC3/PF3	58	7	PE5/DI/SDA/PCINT5	ADC3/PF3	58
8	PE6/T3/INT6	ADC4/TCK/PF4	57	8	PE6/T3/INT6	ADC4/TCK/PF4	57	8	PE6/DO/PCINT6	ADC4/TCK/PF4	57
9	PE7/ICP3/INT7	ADC5/TMS/PF5	56	9	PE7/ICP3/CLKO/INT7	ADC5/TMS/PF5	56	9	PE7/CLKO/PCINT7	ADC5/TMS/PF5	56
10	PB0/SS#	ADC6/TDO/PF6	55	10	PB0/SS#/PCINT0	ADC6/TDO/PF6	55	10	PB0/SS#/PCINT8	ADC6/TDO/PF6	55
11	PB1/SCK	ADC7/TDI/PF7	54	11	PB1/SCK/PCINT1	ADC7/TDI/PF7	54	11	PB1/SCK/PCINT9	ADC7/TDI/PF7	54
12	PB2/MOSI	GND	53	12	PB2/MOSI/PCINT2	GND	53	12	PB2/MOSI/PCINT10	GND	53
13	PB3/MISO	VCC	52	13	PB3/MISO/PCINT3	VCC	52	13	PB3/MISO/PCINT11	VCC	52
14	PB4/OC0	AD0/PA0	51	14	PB4/OC2A/PCINT4	AD0/PA0	51	14	PB4/OC0A/PCINT12	PA0	51
15	PB5/OC1A	AD1/PA1	50	15	PB5/OC1A/PCINT5	AD1/PA1	50	15	PB5/OC1A/PCINT13	PA1	50
16	PB6/OC1B	AD2/PA2	49	16	PB6/OC1B/PCINT6	AD2/PA2	49	16	PB6/OC1B/PCINT14	PA2	49
17	PB7/OC2/OC1C	AD3/PA3	48	17	PB7/OC0A/OC1C/PCINT7	AD3/PA3	48	17	PB7/OC2A/PCINT15	PA3	48
18	PG3/TOSC2	AD4/PA4	47	18	PG3/TOSC2	AD4/PA4	47	18	PG3/T1	PA4	47
19	PG4/TOSC1	AD5/PA5	46	19	PG4/TOSC1	AD5/PA5	46	19	PG4/T0	PA5	46
20	RESET#	AD6/PA6	45	20	RESET#	AD6/PA6	45	20	PG5/RESET#	PA6	45
21	VCC	AD7/PA7	44	21	VCC	AD7/PA7	44	21	VCC	PA7	44
22	GND	ALE/PG2	43	22	GND	ALE/PG2	43	22	GND	PG2	43
23	XTAL2	A15/PC7	42	23	XTAL2	A15/PC7	42	23	XTAL2/TOSC2	PC7	42
24	XTAL1	A14/PC6	41	24	XTAL1	A14/PC6	41	24	XTAL1/TOSC1	PC6	41
25	PD0/SCL/INT0	A13/PC5	40	25	PD0/SCL/INT0	A13/PC5	40	25	PD0/ICP1	PC5	40
26	PD1/SDA/INT1	A12/PC4	39	26	PD1/SDA/INT1	A12/PC4	39	26	PD1/INT0	PC4	39
27	PD2/RXD1/INT2	A11/PC3	38	27	PD2/RXD1/INT2	A11/PC3	38	27	PD2	PC3	38
28	PD3/TXD1/INT3	A10/PC2	37	28	PD3/TXD1/INT3	A10/PC2	37	28	PD3	PC2	37
29	PD4/ICP1	A9/PC1	36	29	PD4/ICP1	A9/PC1	36	29	PD4	PC1	36
30	PD5/XCK1	A8/PC0	35	30	PD5/XCK1	A8/PC0	35	30	PD5	PC0	35
31	PD6/T1	RD#/PG1	34	31	PD6/T1	RD#/PG1	34	31	PD6	PG1	34
32	PD7/T2	WR#/PG0	33	32	PD7/T0	WR#/PG0	33	32	PD7	PG0	33

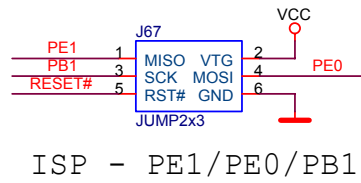
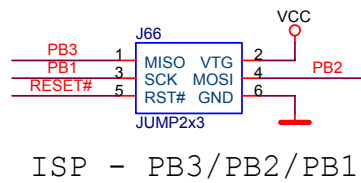
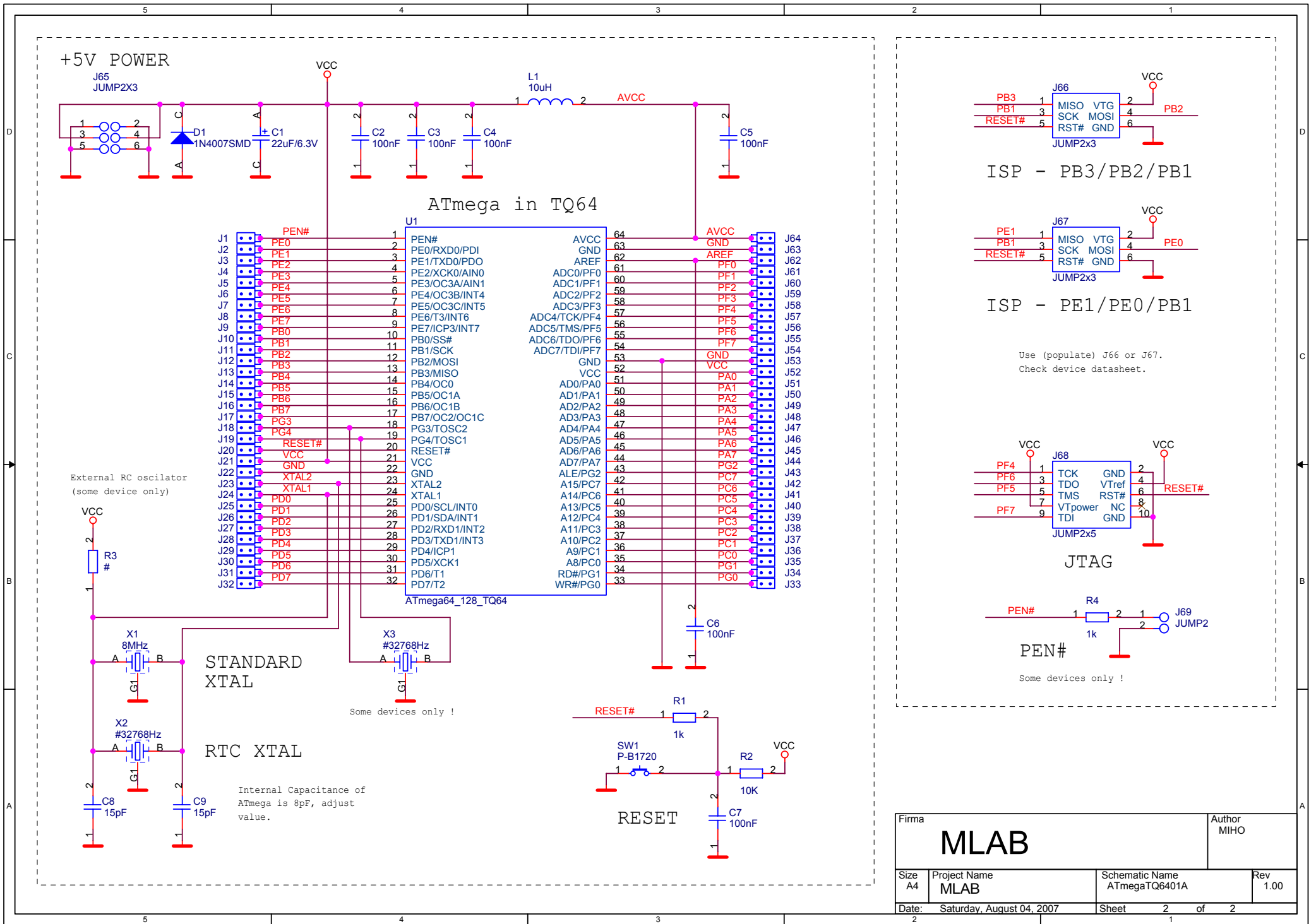
SPARE PARTS



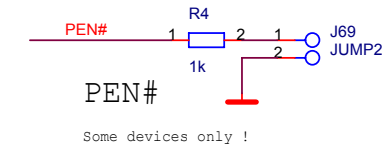
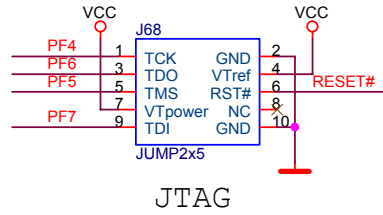
MECHANICAL



Firma		Author	
MLAB		MIHO	
Size	Project Name	Schematic Name	Rev
A4	MLAB	ATmegaTQ6401A	1.00
Date:	Saturday, August 04, 2007	Sheet	1 of 2



Use (populate) J66 or J67.
Check device datasheet.



Firma		Author	
MLAB		MIHO	
Size	Project Name	Schematic Name	Rev
A4	MLAB	ATmegaTQ6401A	1.00
Date:	Saturday, August 04, 2007	Sheet	2 of 2
2		1	