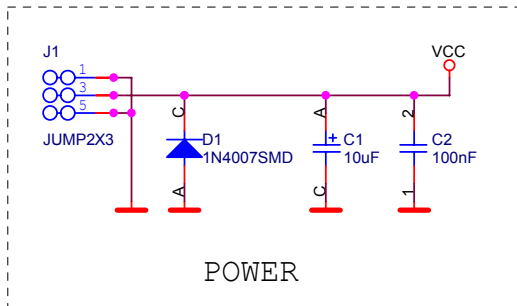


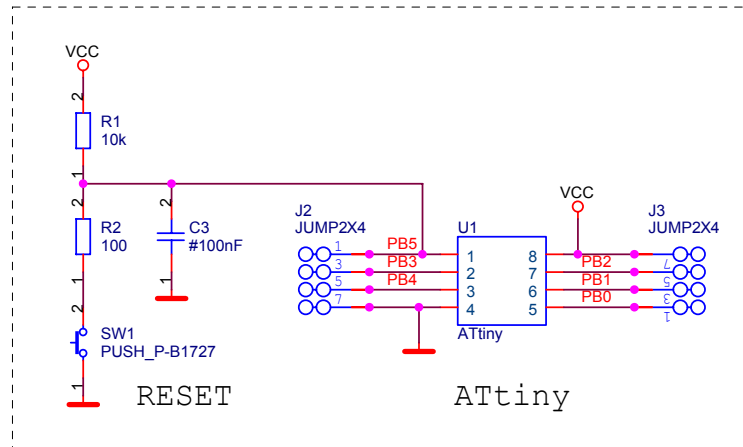
ATtinyS801A

1.00 Derived from ATtinySO801A

Firma		MLAB		Author MIHO	
Size A4	Project Name MLAB	Schematic Name ATtinySO801B		Rev 1.00	
Date: Sunday, September 30, 2007		Sheet 1 of 2		2 1	

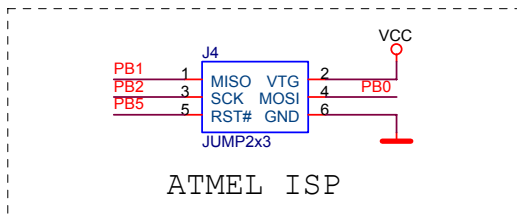


POWER

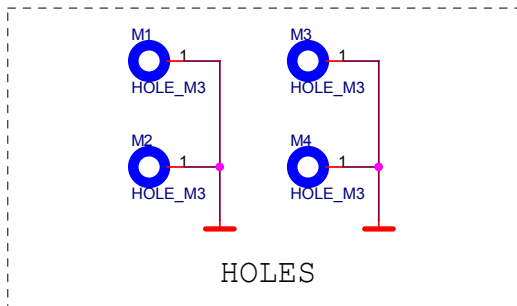


RESET

ATtiny



ATMEL ISP



HOLES

Firma		MLAB		Author	MIHO
Size	Project Name	Schematic Name		Rev	
A4	MLAB	ATtinySO801B		1.00	
Date:	Sunday, September 30, 2007	Sheet	2	of	2