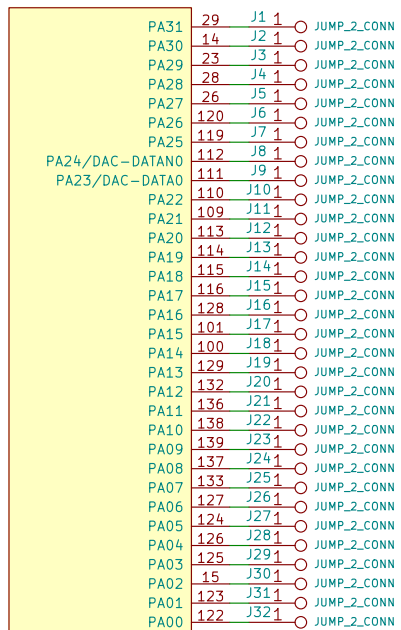
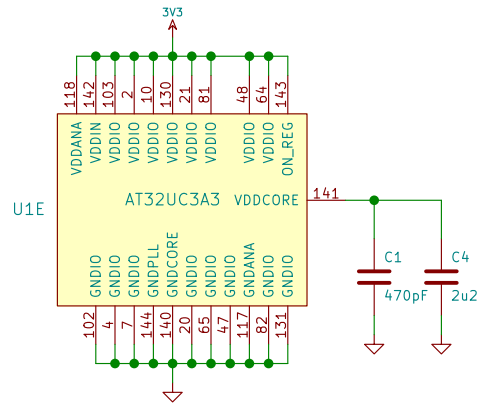


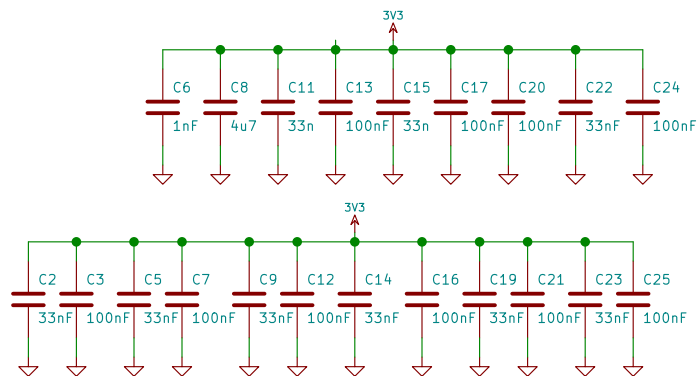
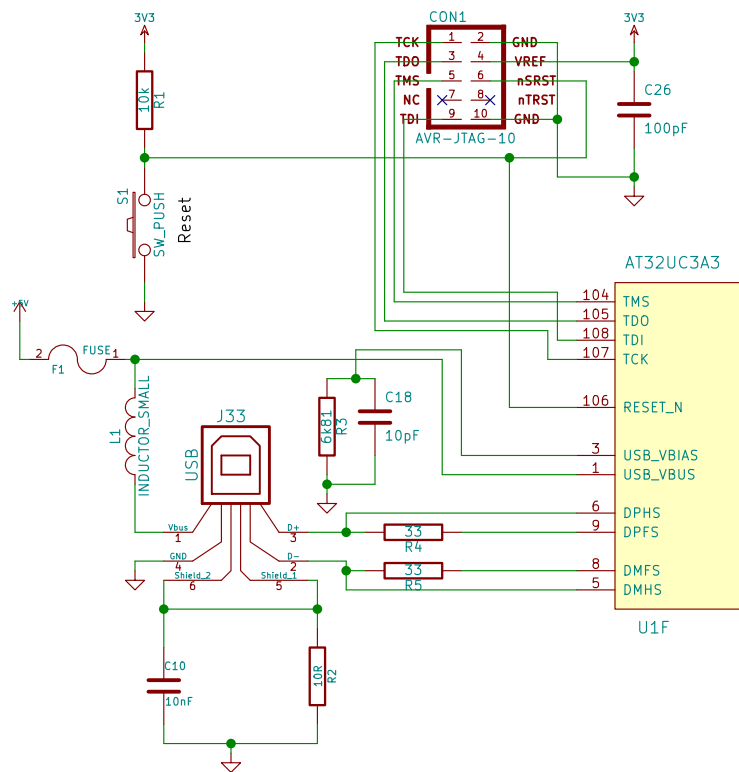
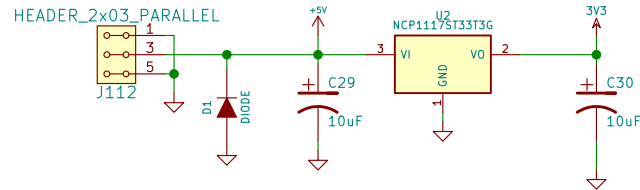
AT32UC3A3



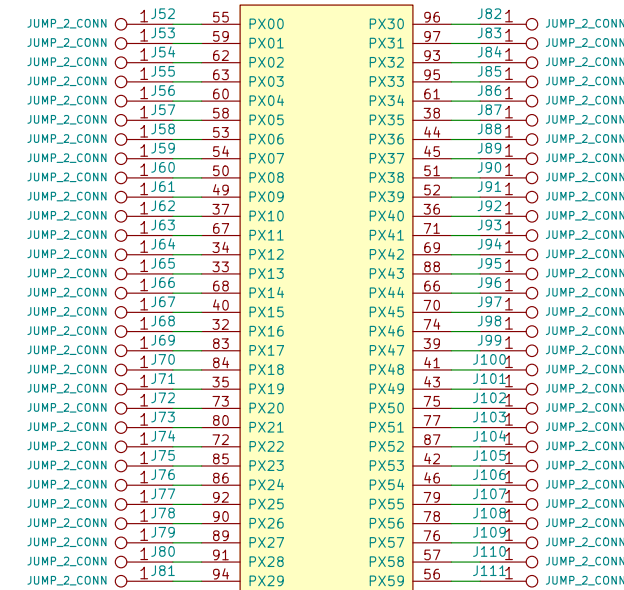
U1A



U1E

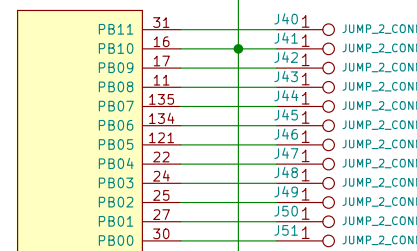


AT32UC3A3

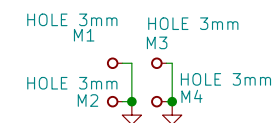


U1D

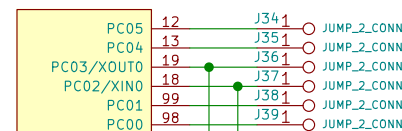
AT32UC3A3



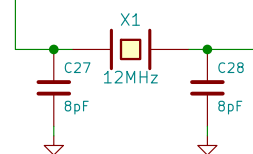
U1B



AT32UC3A3



U1C



MLAB

Sheet: /  
File: AT32TQ14401A.sch

Title: Atmel AVR32 CPU module

Size: A3	Date: 03 Jul 2014	Rev: V1.0
KiCad E.D.A. kicad 0.201502270946+545321ubuntu14.10.1-product		Id: 1/1