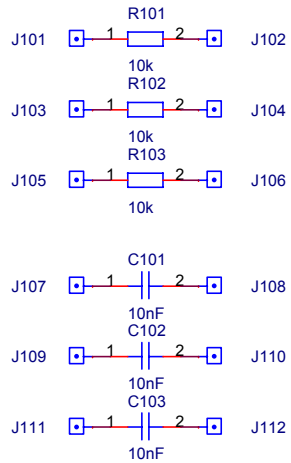


ATmega801A

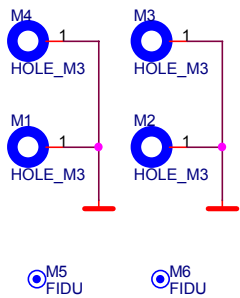
1.00 First version

Firma		Author	
MLAB		MIHO	
Size	Project Name	Schematic Name	Rev
A4	MLAB	ATmega801A	1.00
Date:	Tuesday, November 29, 2005	Sheet	1 of 2
	2		1

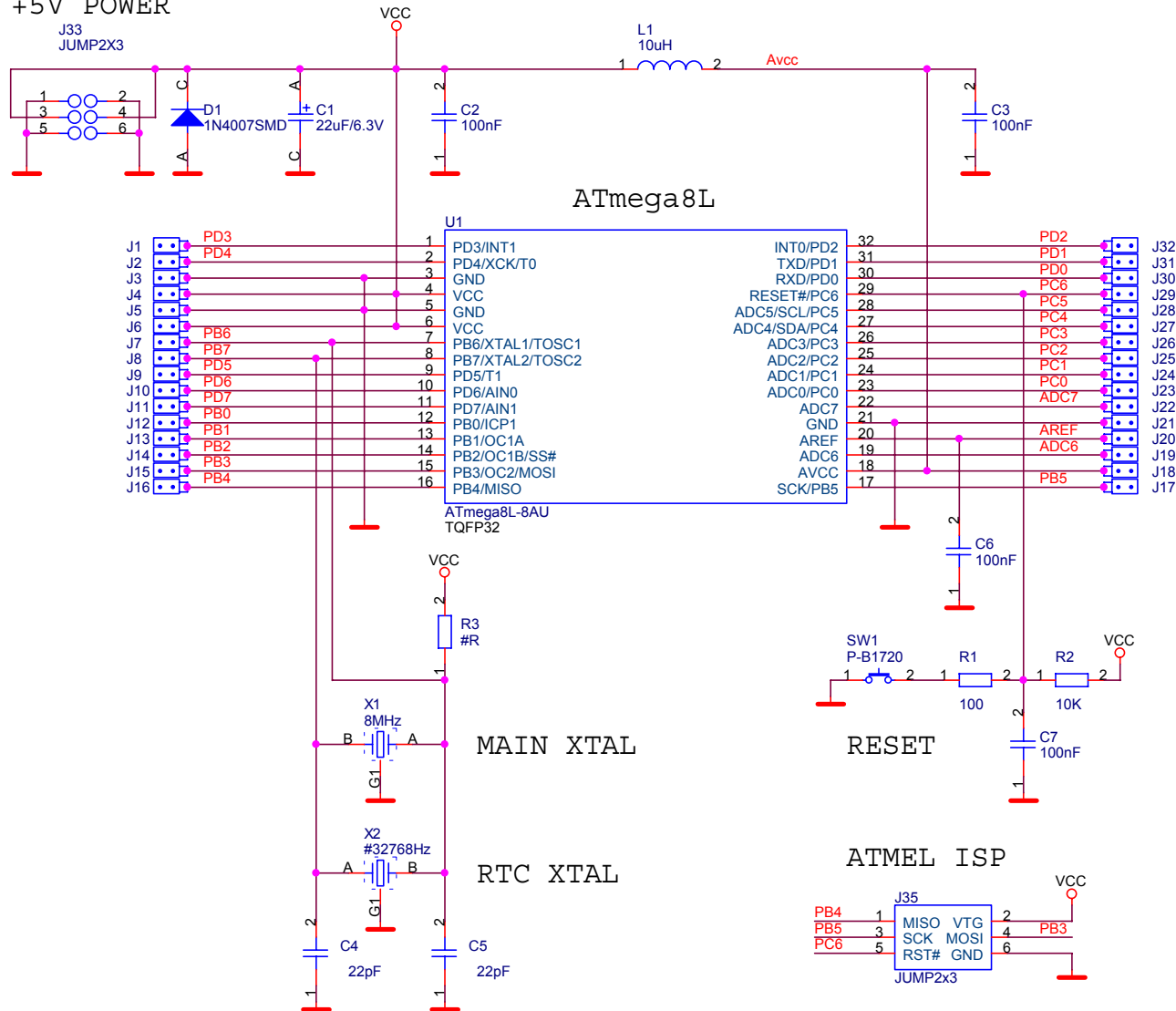
SPARE PARTS



MECHANICAL



+5V POWER



Firma		Author	
MLAB		MIHO	
Size	Project Name	Schematic Name	Rev
A4	MLAB	ATmega801A	1.00
Date:	Tuesday, November 29, 2005	Sheet	2 of 2
	2		1