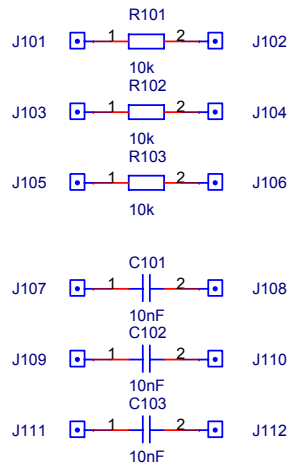


ATmega801B

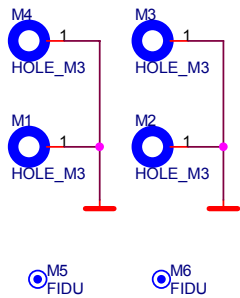
1.00 Schematic is the same as for module ATmega801A

Firma		MLAB		Author MIHO	
Size A4	Project Name MLAB	Schematic Name ATmega801B	Rev 1.00		
Date:	Tuesday, November 29, 2005	Sheet	1	of	2

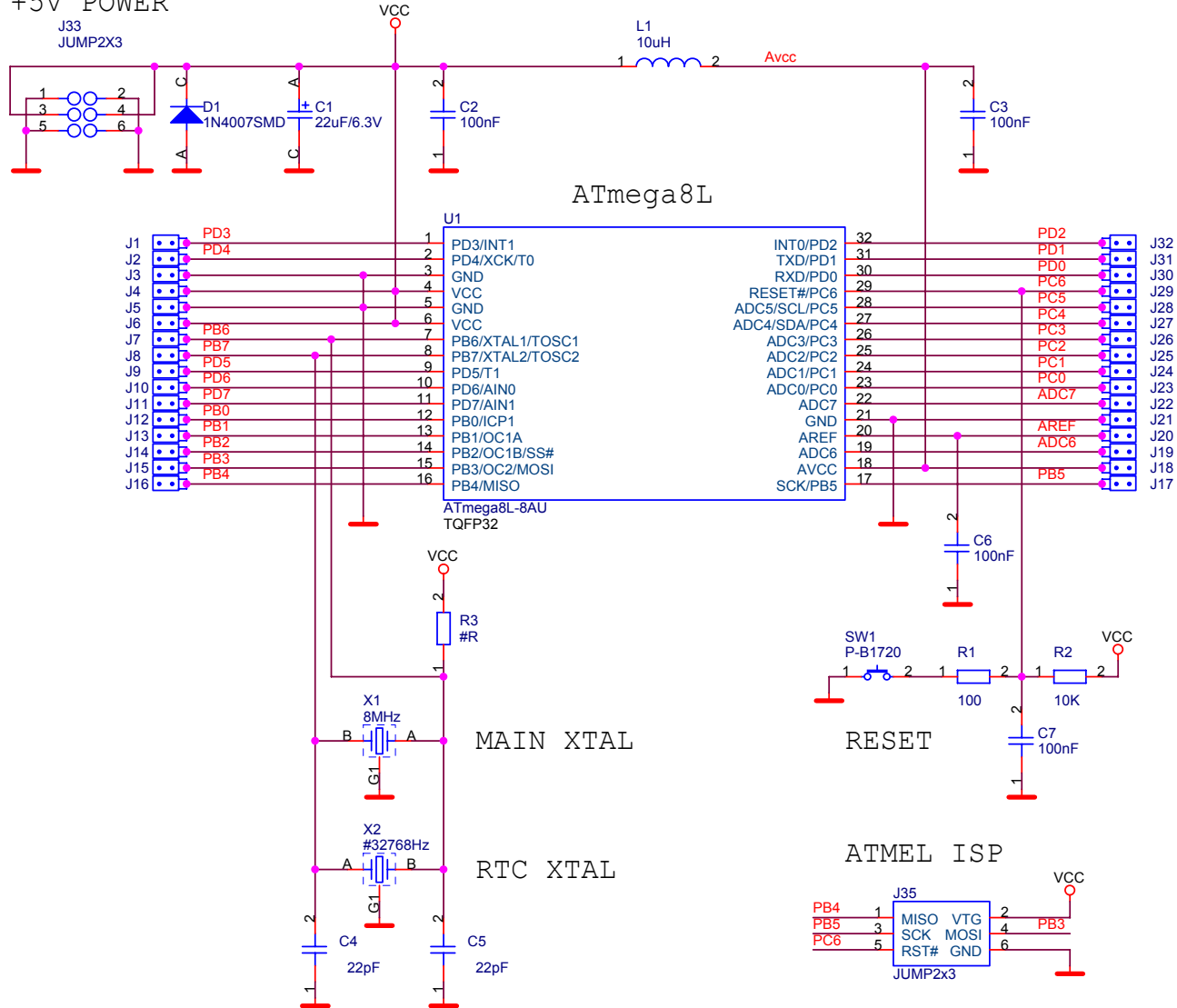
SPARE PARTS



MECHANICAL



+5V POWER



Firma		Author	
MLAB		MIHO	
Size	Project Name	Schematic Name	Rev
A4	MLAB	ATmega801B	1.00
Date:	Sunday, February 15, 2009	Sheet	2 of 2
2		1	