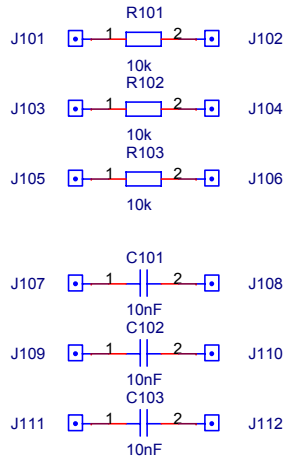


ATmega8DIL01A

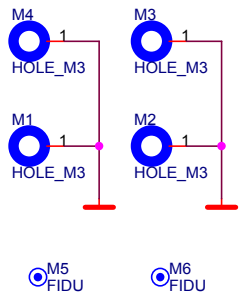
1.00 Derived from ATmega801A

Firma		MLAB		Author	
				MIHO	
Size	Project Name	Schematic Name	Rev		
A4	MLAB	ATmega8DIL01A	1.00		
Date:	Saturday, July 21, 2007	Sheet	1	of	2

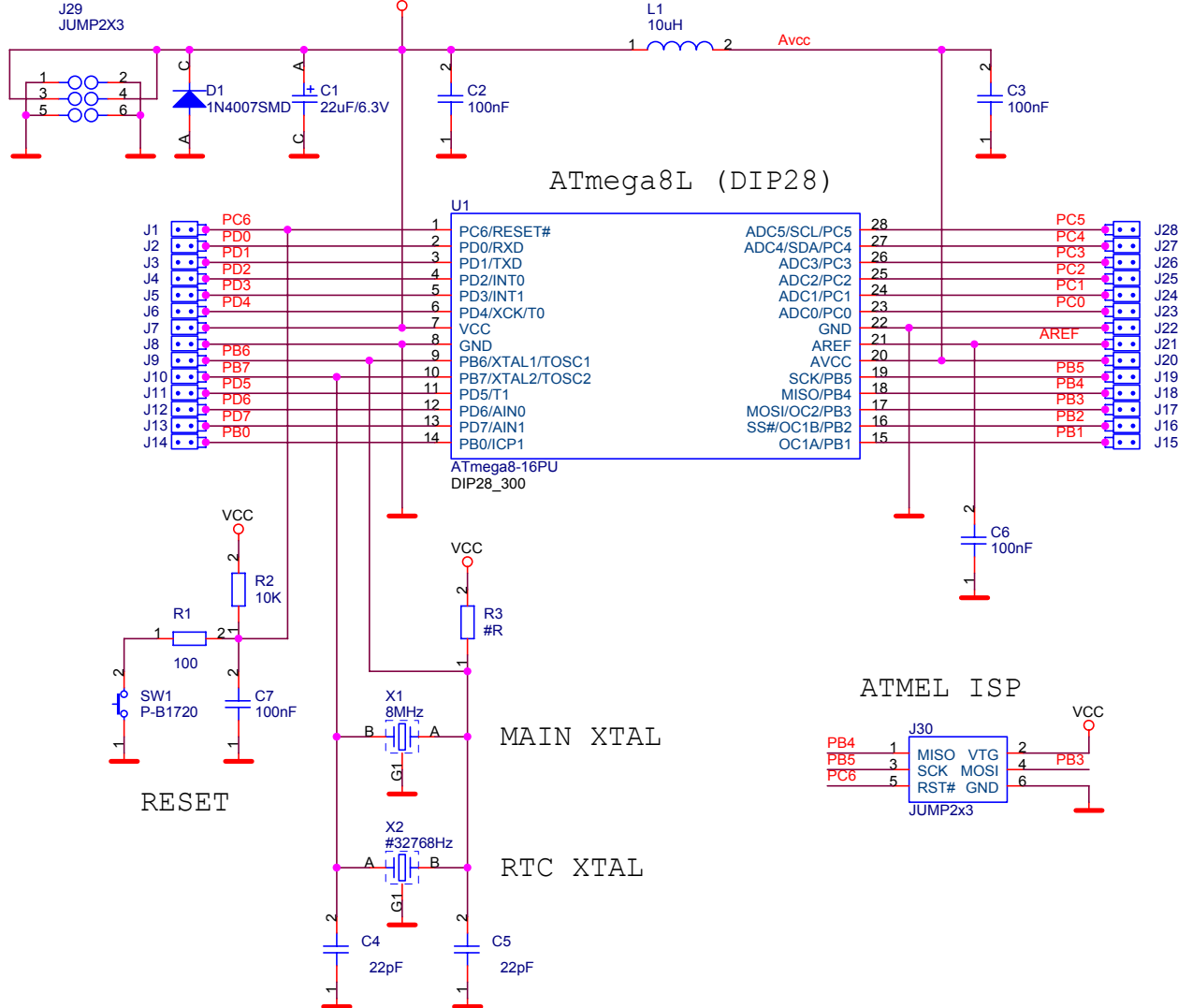
SPARE PARTS



MECHANICAL



+5V POWER



Firma		Author	
MLAB		MIHO	
Size	Project Name	Schematic Name	Rev
A4	MLAB	ATmega8DIL01A	1.00
Date:	Saturday, July 21, 2007	Sheet	2 of 2
2		1	