

ATmegaTQ10001A

1.00 First Version

Alternatives:

ATmega640/1280/2560

ATmega3250/6450

ATmega3250P

ATmega3290/6490

... and more

Devices just for reference (pinout)

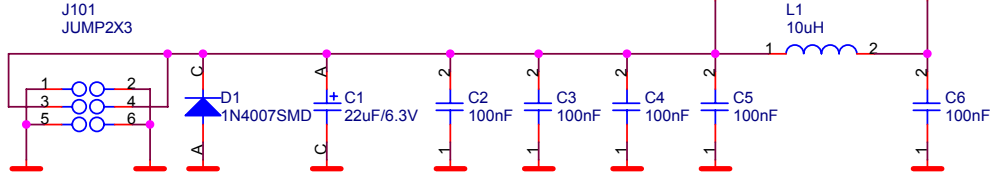
U101			U102				
1	DNC	AVCC	100	1	PG5/OC0B	AVCC	100
2	PE0/RXD0/PCINT0	AGND	99	2	PE0/RXD0/PCINT8	GND	99
3	PE1/TXD0/PCINT1	AREF	98	3	PE1/TXD0	AREF	98
4	PE2/XCK0/AIN0/PCINT2	ADC0/PF0	97	4	PE2/XCK0/AIN0	ADC0/PF0	97
5	PE3/AIN1/PCINT3	ADC1/PF1	96	5	PE3/OC3A/AIN1	ADC1/PF1	96
6	PE4/USCK/SCL/PCINT4	ADC2/PF2	95	6	PE4/OC3B/INT4	ADC2/PF2	95
7	PE5/DI/SDA/PCINT5	ADC3/PF3	94	7	PE5/OC3C/INT5	ADC3/PF3	94
8	PE6/DO/PCINT6	ADC4/TCK/PF4	93	8	PE6/T3/INT6	ADC4/TCK/PF4	93
9	PE7/CLKO/PCINT7	ADC5/TMS/PF5	92	9	PE7/CLKO/ICP3/INT7	ADC5/TMS/PF5	92
10	VCC	ADC6/TDO/PF6	91	10	VCC	ADC6/TDO/PF6	91
11	GND	ADC7/TDI/PF7	90	11	GND	ADC7/TDI/PF7	90
12	DNC	DNC	89	12	PH0/RXD2	ADC8/PCINT16/PK0	89
13	PJ0/PCINT24	DNC	88	13	PH1/TXD2	ADC9/PCINT17/PK1	88
14	PJ1/PCINT25	PCINT23/PH7	87	14	PH2/XCK2	ADC10/PCINT18/PK2	87
15	DNC	PCINT22/PH6	86	15	PH3/OC4A	ADC11/PCINT19/PK3	86
16	DNC	PCINT21/PH5	85	16	PH4/OC4B	ADC12/PCINT20/PK4	85
17	DNC	PCINT20/PH4	84	17	PH5/OC4C	ADC13/PCINT21/PK5	84
18	DNC	DNC	83	18	PH6/OC2B	ADC14/PCINT22/PK6	83
19	PB0/SS#/PCINT8	DNC	82	19	PB0/SS#/PCINT0	ADC15/PCINT23/PK7	82
20	PB1/SCK/PCINT9	GND	81	20	PB1/SCK/PCINT1	GND	81
21	PB2/MOSI/PCINT10	VCC	80	21	PB2/MOSI/PCINT2	VCC	80
22	PB3/MISO/PCINT11	DNC	79	22	PB3/MISO/PCINT3	PJ7	79
23	PB4/OC0A/PCINT12	PA0	78	23	PB4/OC2A/PCINT4	AD0/PA0	78
24	PB5/OC1A/PCINT13	PA1	77	24	PB5/OC1A/PCINT5	AD1/PA1	77
25	PB6/OC1B/PCINT14	PA2	76	25	PB6/OC1B/PCINT6	AD2/PA2	76
26	PB7/OC2A/PCINT15	PA3	75	26	PB7/OC0A/OC1C/PCINT7	AD3/PA3	75
27	DNC	PA4	74	27	PH7/T4	AD4/PA4	74
28	PG3/T1	PA5	73	28	PG3/TOSC2	AD5/PA5	73
29	PG4/T0	PA6	72	29	PG4/TOSC1	AD6/PA6	72
30	PG5/RESET#	PA7	71	30	RESET#	AD7/PA7	71
31	VCC	PG2	70	31	VCC	ALE/PG2	70
32	GND	PC7	69	32	GND	PCINT15/PJ6	69
33	XTAL2/TOSC2	PC6	68	33	XTAL2	PCINT14/PJ5	68
34	XTAL1/TOSC1	PC5	67	34	XTAL1	PCINT13/PJ4	67
35	DNC	PCINT19/PH3	66	35	PL0/ICP4	PCINT12/PJ3	66
36	DNC	PCINT18/PH2	65	36	PL1/ICP5	XCK3/PCINT11/PJ2	65
37	PJ2/PCINT26	PCINT17/PH1	64	37	PL2/T5	TXD3/PCINT10/PJ1	64
38	PJ3/PCINT27	PCINT16/PH0	63	38	PL3/OC5A	RXD3/PCINT9/PJ0	63
39	PJ4/PCINT28	DNC	62	39	PL4/OC5B	GND	62
40	PJ5/PCINT29	DNC	61	40	PL5/OC5C	VCC	61
41	PJ6/PCINT30	DNC	60	41	PL6	A15/PC7	60
42	DNC	DNC	59	42	PL7	A14/PC6	59
43	PD0/ICP1	PC5	58	43	PD0/SCL/INT0	A13/PC5	58
44	PD1/INT0	PC4	57	44	PD1/SDA/INT1	A12/PC4	57
45	PD2	PC3	56	45	PD2/RXD1/INT2	A11/PC3	56
46	PD3	PC2	55	46	PD3/TXD1/INT3	A10/PC2	55
47	PD4	PC1	54	47	PD4/ICP1	A9/PC1	54
48	PD5	PC0	53	48	PD5/XCK1	A8/PC0	53
49	PD6	PG1	52	49	PD6/T1	RD#/PG1	52
50	PD7	PG0	51	50	PD7/T0	WR#/PG0	51

ATmega3250_6450_TQ100

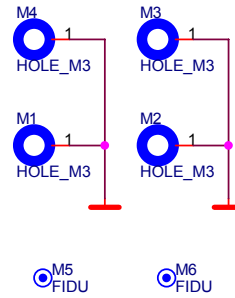
ATmega640_1280_2560_TQ100

Firma		Author	
MLAB		MIHO	
Size	Project Name	Schematic Name	Rev
A4	MLAB	ATmegaTQ10001A	1.00
Date:	Sunday, September 23, 2007	Sheet	1 of 3

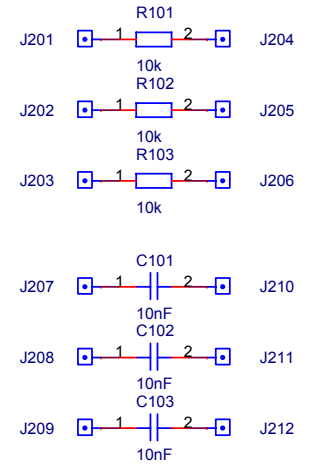
+5V POWER



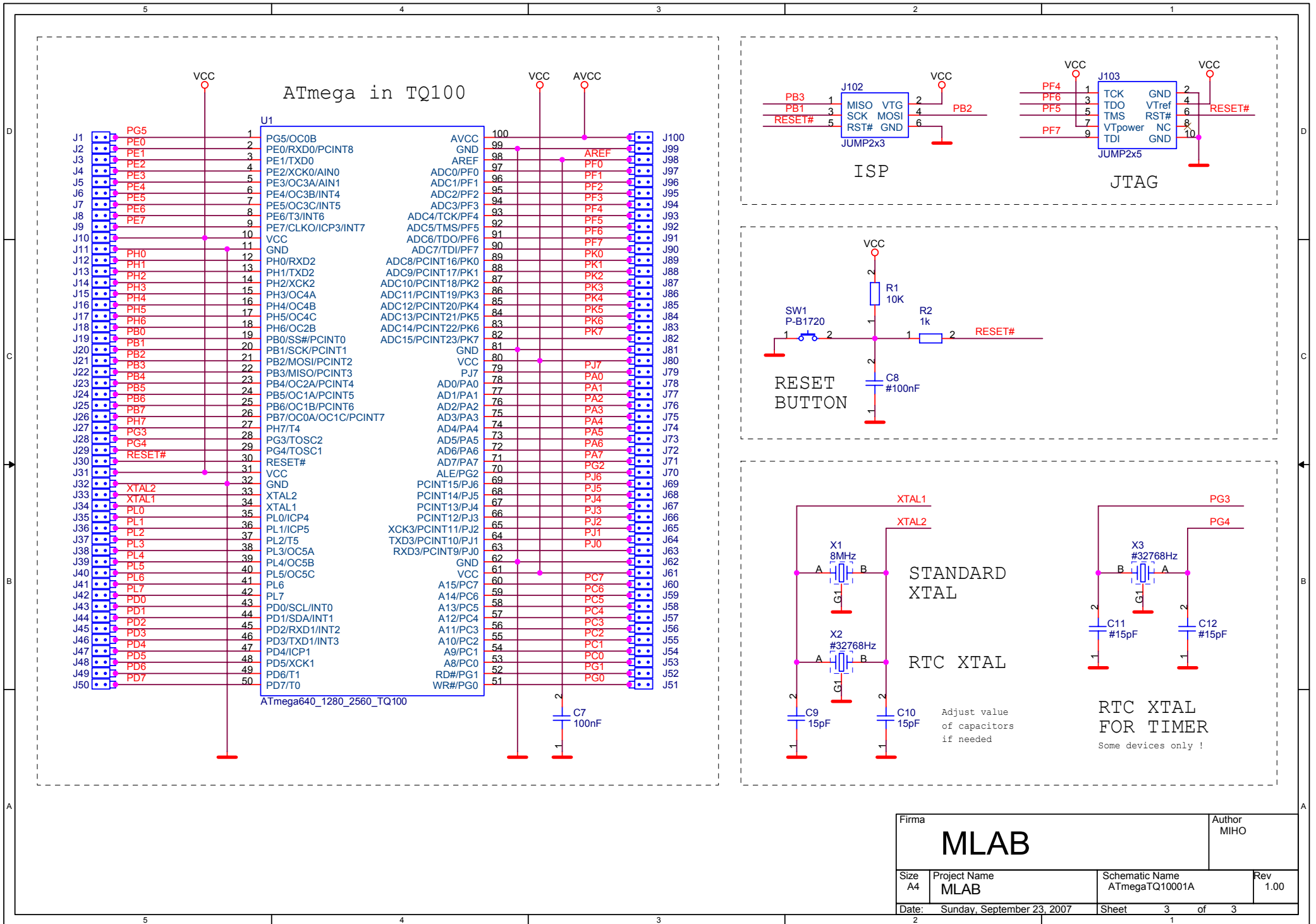
MECHANICAL



SPARE PARTS



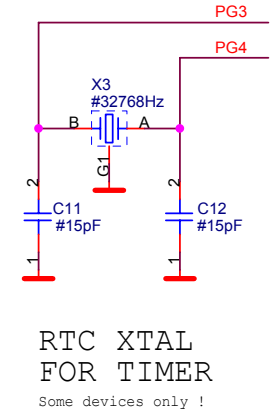
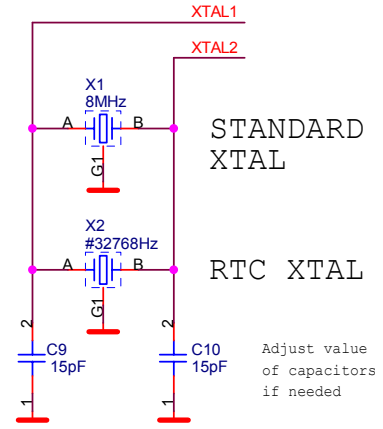
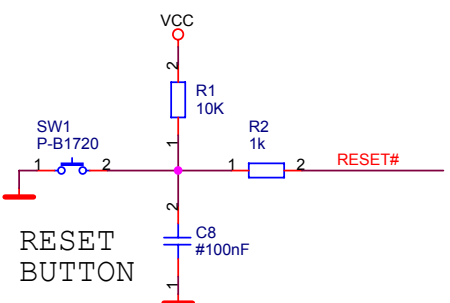
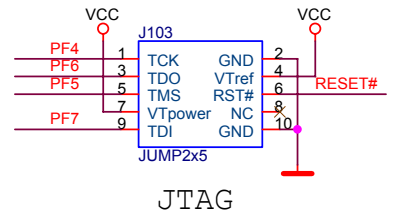
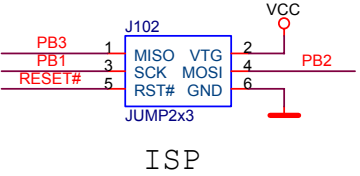
Firma		MLAB		Author	MIHO
Size	Project Name	Schematic Name		Rev	
A4	MLAB	ATmegaTQ10001A		1.00	
Date:	Sunday, September 23, 2007	Sheet	2	of	3



ATmega in TQ100

J1	PG5	1	PG5/OC0B	100	AVCC	J100
J2	PE0	2	PE0/RXD0/PCINT8	99	GND	J99
J3	PE1	3	PE1/TXD0	98	AREF	J98
J4	PE2	4	PE2/XCK0/AIN0	97	PF0	J97
J5	PE3	5	PE3/OC3A/AIN1	96	PF1	J96
J6	PE4	6	PE4/OC3B/INT4	95	PF2	J95
J7	PE5	7	PE5/OC3C/INT5	94	PF3	J94
J8	PE6	8	PE6/T3/INT6	93	PF4	J93
J9	PE7	9	PE7/CLKO/ICP3/INT7	92	PF5	J92
J10		10	VCC	91	PF6	J91
J11		11	GND	90	PF7	J90
J12	PH0	12	PH0/RXD2	89	PK0	J89
J13	PH1	13	PH1/TXD2	88	PK1	J88
J14	PH2	14	PH2/XCK2	87	PK2	J87
J15	PH3	15	PH3/OC4A	86	PK3	J86
J16	PH4	16	PH4/OC4B	85	PK4	J85
J17	PH5	17	PH5/OC4C	84	PK5	J84
J18	PH6	18	PH6/OC2B	83	PK6	J83
J19	PB0	19	PB0/SS#/PCINT0	82	PK7	J82
J20	PB1	20	PB1/SCK/PCINT1	81	GND	J81
J21	PB2	21	PB2/MOSI/PCINT2	80	VCC	J80
J22	PB3	22	PB3/MISO/PCINT3	79	PJ7	J79
J23	PB4	23	PB4/OC2A/PCINT4	78	PA0	J78
J24	PB5	24	PB5/OC1A/PCINT5	77	PA1	J77
J25	PB6	25	PB6/OC1B/PCINT6	76	PA2	J76
J26	PB7	26	PB7/OC0A/OC1C/PCINT7	75	PA3	J75
J27	PH7	27	PH7/T4	74	PA4	J74
J28	PG3	28	PG3/TOSC2	73	PA5	J73
J29	PG4	29	PG4/TOSC1	72	PA6	J72
J30	RESET#	30	RESET#	71	PA7	J71
J31		31	VCC	70	PG2	J70
J32		32	GND	69	PJ6	J69
J33	XTAL2	33	XTAL2	68	PJ5	J68
J34	XTAL1	34	XTAL1	67	PJ4	J67
J35	PL0	35	PL0/ICP4	66	PJ3	J66
J36	PL1	36	PL1/ICP5	65	PJ2	J65
J37	PL2	37	PL2/T5	64	PJ1	J64
J38	PL3	38	PL3/OC5A	63	PJ0	J63
J39	PL4	39	PL4/OC5B	62	GND	J62
J40	PL5	40	PL5/OC5C	61	VCC	J61
J41	PL6	41	PL6	60	A15/PC7	J60
J42	PL7	42	PL7	59	A14/PC6	J59
J43	PD0	43	PD0/SCL/INT0	58	A13/PC5	J58
J44	PD1	44	PD1/SDA/INT1	57	A12/PC4	J57
J45	PD2	45	PD2/RXD1/INT2	56	A11/PC3	J56
J46	PD3	46	PD3/TXD1/INT3	55	A10/PC2	J55
J47	PD4	47	PD4/ICP1	54	A9/PC1	J54
J48	PD5	48	PD5/XCK1	53	A8/PC0	J53
J49	PD6	49	PD6/T1	52	RD#/PG1	J52
J50	PD7	50	PD7/T0	51	WR#/PG0	J51

ATmega640_1280_2560_TQ100



Firma		Author	
MLAB		MIHO	
Size	Project Name	Schematic Name	Rev
A4	MLAB	ATmegaTQ10001A	1.00
Date:	Sunday, September 23, 2007	Sheet	3 of 3