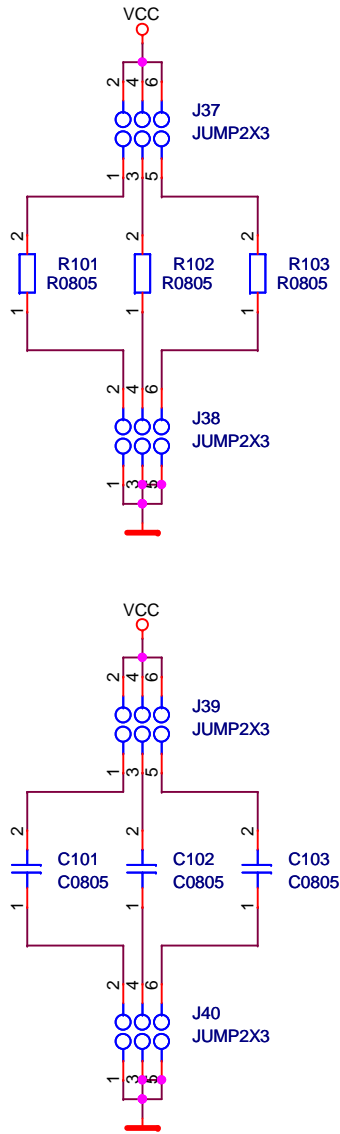
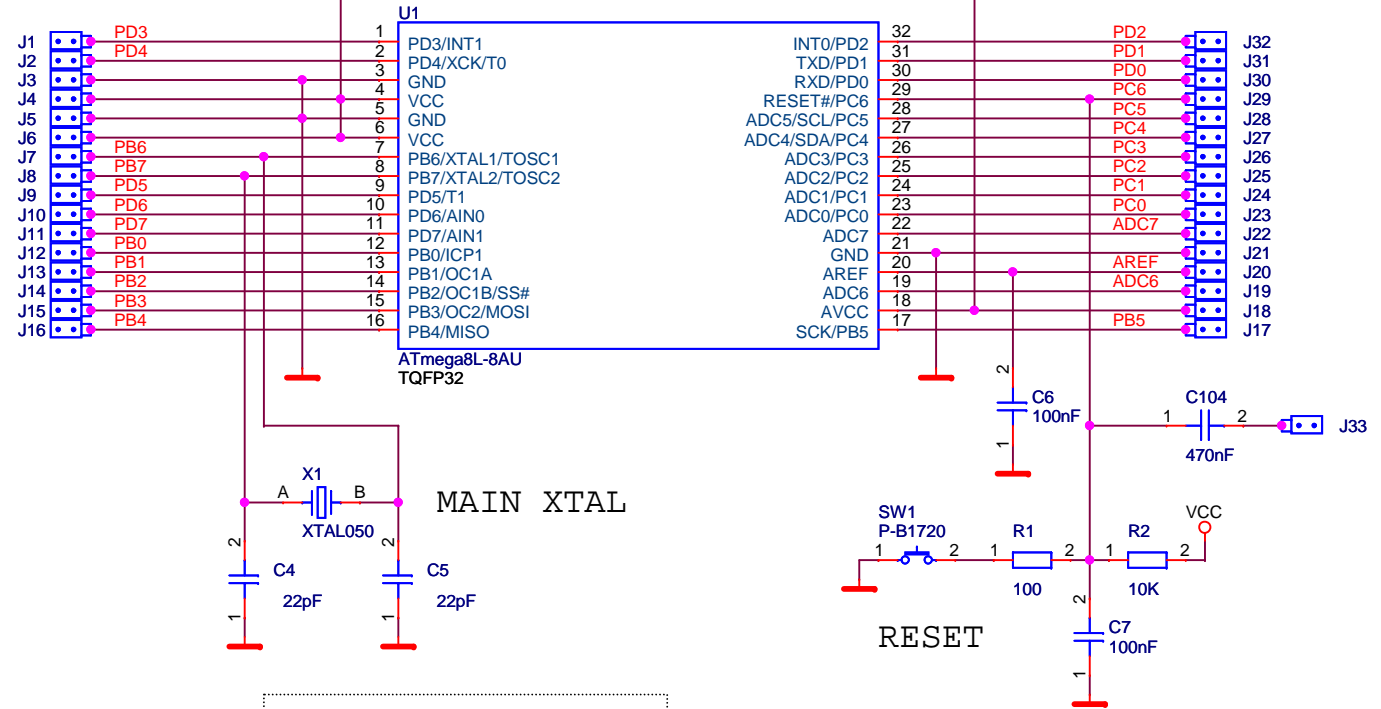
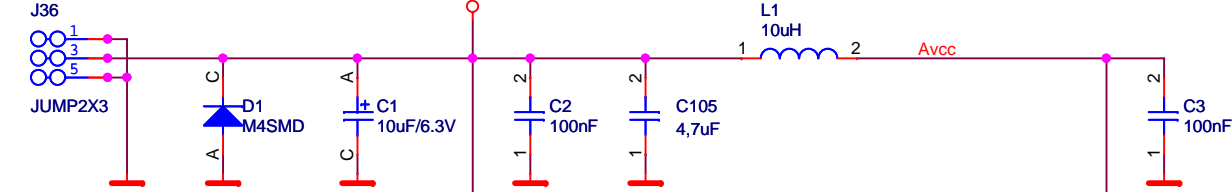


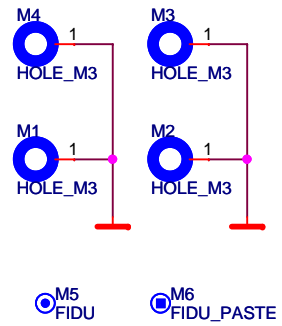
SPARE PARTS



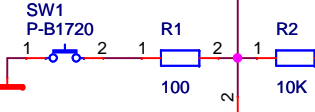
+5V POWER



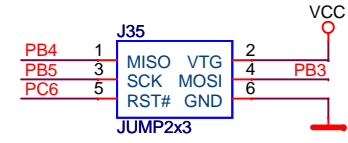
MECHANICAL



RESET



ATMEL ISP



Firma		Author	
MLAB		Kaklik	
Size	Project Name	Schematic Name	Rev
A4	MLAB	ATmegaTQ3201A	1.00
Date:	Tuesday, September 20, 2011	Sheet	2 of 2