

ATmegaTQ4401A

1.00 First Version

Alternatives:

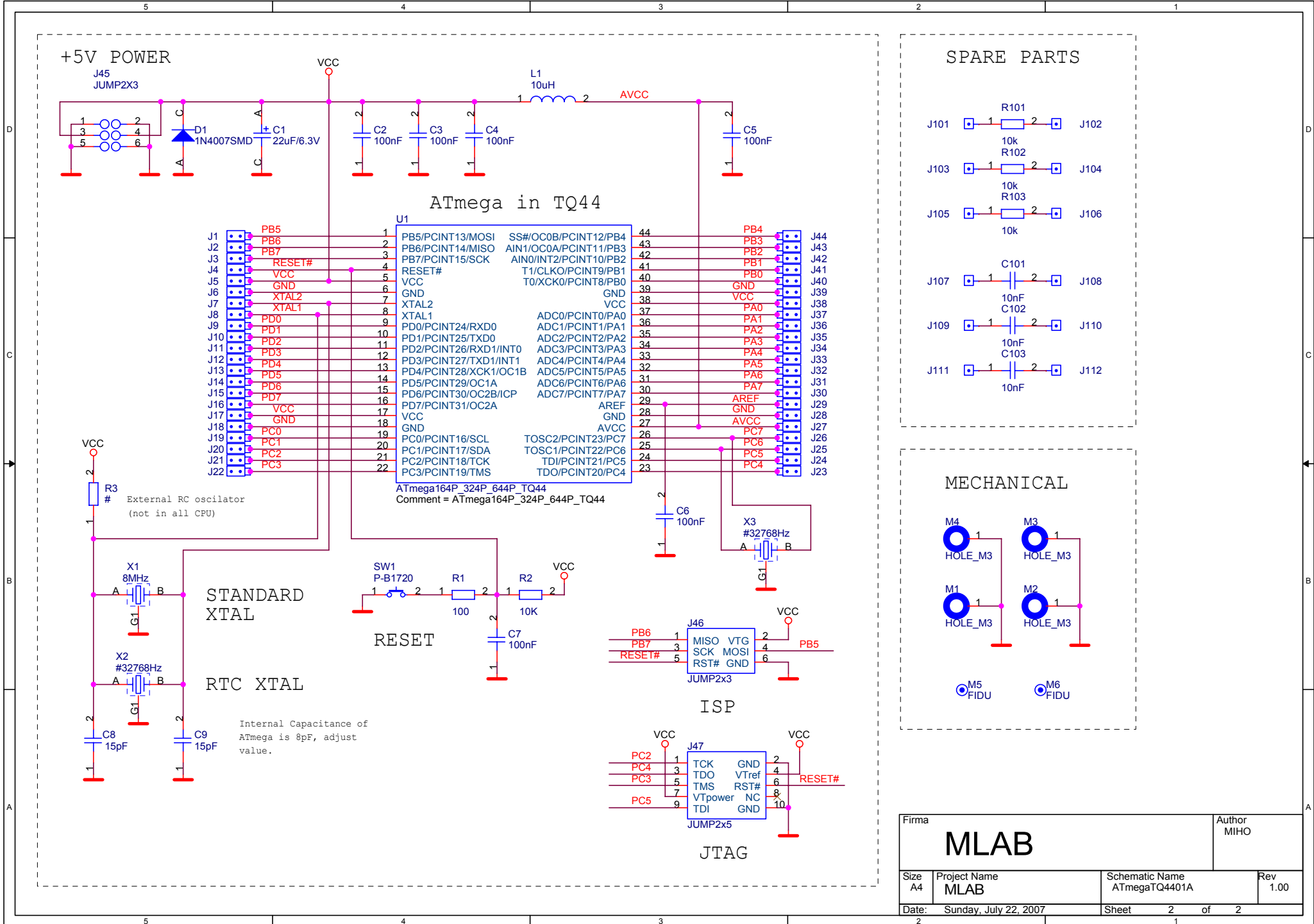
ATmega16	Yes	ATmega8515	No
ATmega32	Yes	ATmega162	No
ATmega164P	Yes		
ATmega324P	Yes		
ATmega644P	Yes		
ATmega8535	Yes		

Devices just for reference (pinout)

U101	U102	U103	U104
1 PB5/MOSI SS#/PB4 44	1 PB5/PCINT13/MOSI SS#/OC0B/PCINT12/PB4 44	1 PB5/PCINT13/MOSI SS#/OC0B/PCINT12/PB4 44	1 PB5/MOSI SS#/PB4 44
2 PB6/MISO AIN1/OC0/PB3 43	2 PB6/PCINT14/MISO AIN1/OC0A/PCINT11/PB3 43	2 PB6/PCINT14/MISO AIN1/OC0A/PCINT11/PB3 43	2 PB6/MISO AIN1/OC0/PB3 43
3 PB7/SCK AIN0/INT2/PB2 42	3 PB7/PCINT15/SCK AIN0/INT2/PCINT10/PB2 42	3 PB7/PCINT15/SCK AIN0/INT2/PCINT10/PB2 42	3 PB7/SCK AIN0/INT2/PB2 42
4 RESET# T1/PB1 41	4 RESET# T1/CLKO/PCINT9/PB1 41	4 RESET# T1/CLKO/PCINT9/PB1 41	4 RESET# T1/PB1 41
5 VCC T0/XCK/PB0 40	5 VCC T0/XCK0/PCINT8/PB0 40	5 VCC T0/XCK0/PCINT8/PB0 40	5 VCC T0/XCK/PB0 40
6 GND GND 39	6 GND GND 39	6 GND GND 39	6 GND GND 39
7 XTAL2 VCC 38	7 XTAL2 VCC 38	7 XTAL2 VCC 38	7 XTAL2 VCC 38
8 XTAL1 ADC0/PA0 37	8 XTAL1 ADC0/PCINT0/PA0 37	8 XTAL1 ADC0/PCINT0/PA0 37	8 XTAL1 ADC0/PA0 37
9 PD0/RXD ADC1/PA1 36	9 PD0/PCINT24/RXD0 ADC1/PCINT1/PA1 36	9 PD0/PCINT24/RXD0 ADC1/PCINT1/PA1 36	9 PD0/RXD ADC1/PA1 36
10 PD1/TXD ADC2/PA2 35	10 PD1/PCINT25/TXD0 ADC2/PCINT2/PA2 35	10 PD1/PCINT25/TXD0 ADC2/PCINT2/PA2 35	10 PD1/TXD ADC2/PA2 35
11 PD2/INT0 ADC3/PA3 34	11 PD2/PCINT26/RXD1/INT0 ADC3/PCINT3/PA3 34	11 PD2/PCINT26/INT0 ADC3/PCINT3/PA3 34	11 PD2/INT0 ADC3/PA3 34
12 PD3/INT1 ADC4/PA4 33	12 PD3/PCINT27/TXD1/INT1 ADC4/PCINT4/PA4 33	12 PD3/PCINT27/INT1 ADC4/PCINT4/PA4 33	12 PD3/INT1 ADC4/PA4 33
13 PD4/OC1B ADC5/PA5 32	13 PD4/PCINT28/XCK1/OC1B ADC5/PCINT5/PA5 32	13 PD4/PCINT28/OC1B ADC5/PCINT5/PA5 32	13 PD4/OC1B ADC5/PA5 32
14 PD5/OC1A ADC6/PA6 31	14 PD5/PCINT29/OC1A ADC6/PCINT6/PA6 31	14 PD5/PCINT29/OC1A ADC6/PCINT6/PA6 31	14 PD5/OC1A ADC6/PA6 31
15 PD6/ICP1 ADC7/PA7 30	15 PD6/PCINT30/OC2B/ICP ADC7/PCINT7/PA7 30	15 PD6/PCINT30/OC2B/ICP ADC7/PCINT7/PA7 30	15 PD6/ICP1 ADC7/PA7 30
16 PD7/OC2 AREF 29	16 PD7/PCINT31/OC2A AREF 29	16 PD7/PCINT31/OC2A AREF 29	16 PD7/OC2 AREF 29
17 VCC GND 28	17 VCC GND 28	17 VCC GND 28	17 VCC GND 28
18 GND AVCC 27	18 GND AVCC 27	18 GND AVCC 27	18 GND AVCC 27
19 PC0/SCL TOSC2/PC7 26	19 PC0/PCINT16/SCL TOSC2/PCINT23/PC7 26	19 PC0/PCINT16/SCL TOSC2/PCINT23/PC7 26	19 PC0/SCL TOSC2/PC7 26
20 PC1/SDA TOSC1/PC6 25	20 PC1/PCINT17/SDA TOSC1/PCINT22/PC6 25	20 PC1/PCINT17/SDA TOSC1/PCINT22/PC6 25	20 PC1/SDA TOSC1/PC6 25
21 PC2/TCK TDI/PC5 24	21 PC2/PCINT18/TCK TDI/PCINT21/PC5 24	21 PC2/PCINT18/TCK TDI/PCINT21/PC5 24	21 PC2 TDI/PC5 24
22 PC3/TMS TDO/PC4 23	22 PC3/PCINT19/TMS TDO/PCINT20/PC4 23	22 PC3/PCINT19/TMS TDO/PCINT20/PC4 23	22 PC3 PC4 23

No JTAG

Firma		Author	
MLAB		MIHO	
Size	Project Name	Schematic Name	Rev
A4	MLAB	ATmegaTQ4401A	1.00
Date:	Sunday, July 22, 2007	Sheet	1 of 2



Firma		MLAB		Author	MIHO
Size	Project Name	Schematic Name	Rev		
A4	MLAB	ATmegaTQ4401A	1.00		
Date:	Sunday, July 22, 2007	Sheet	2	of	2