

# ATmegaTQ4401A

1.00 First Version  
 1.01 C7 not used with JTAG

# Alternatives:

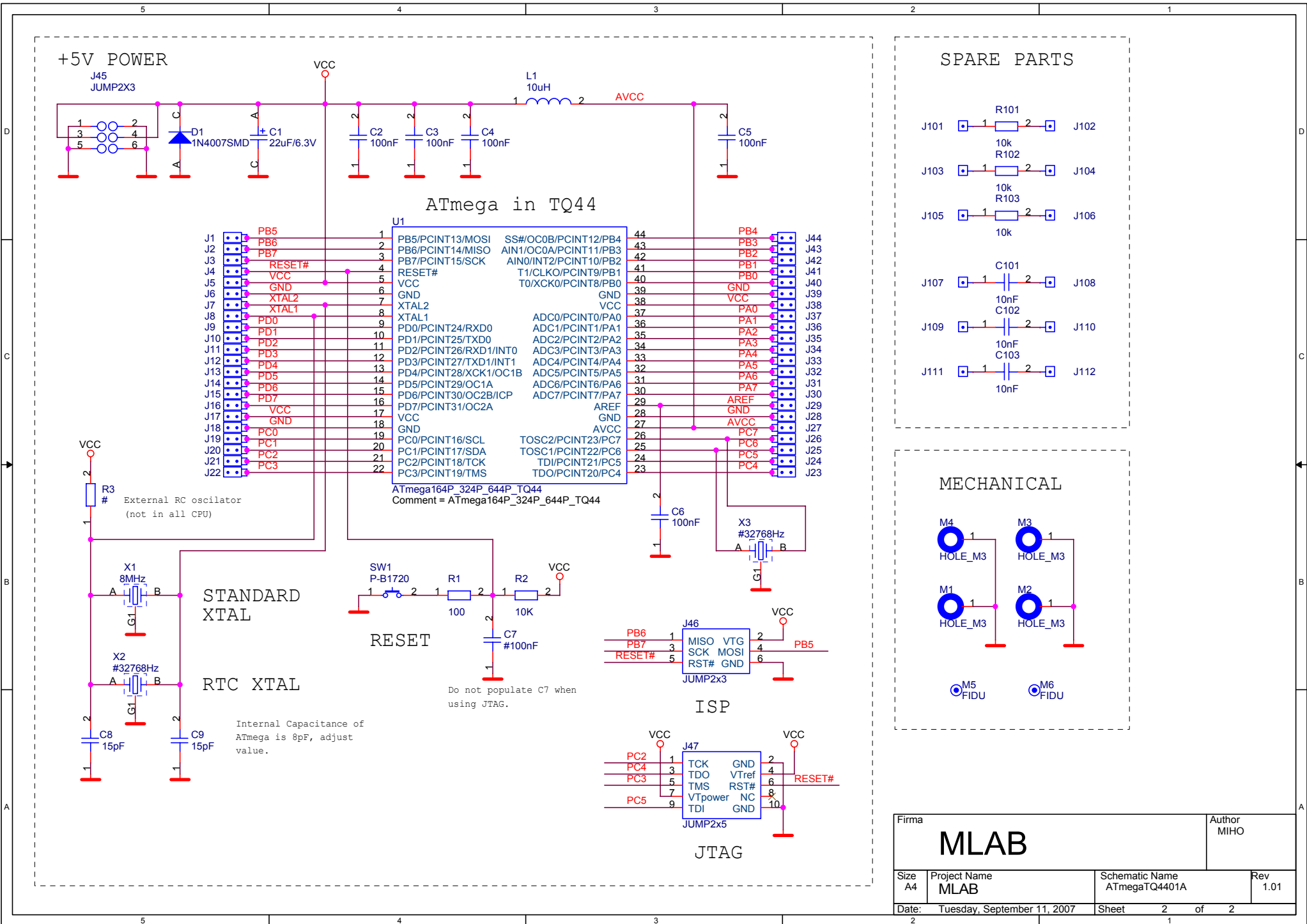
ATmega16	Yes	ATmega8515	No
ATmega32	Yes	ATmega162	No
ATmega164P	Yes		
ATmega324P	Yes		
ATmega644P	Yes		
ATmega8535	Yes		

## Devices just for reference (pinout)

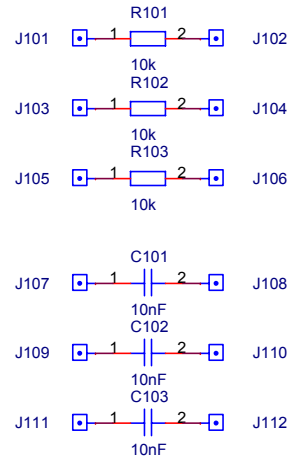
U101				U102				U103				U104			
1	PB5/MOSI	SS#/PB4	44	1	PB5/PCINT13/MOSI	SS#/OC0B/PCINT12/PB4	44	1	PB5/PCINT13/MOSI	SS#/OC0B/PCINT12/PB4	44	1	PB5/MOSI	SS#/PB4	44
2	PB6/MISO	AIN1/OC0/PB3	43	2	PB6/PCINT14/MISO	AIN1/OC0A/PCINT11/PB3	43	2	PB6/PCINT14/MISO	AIN1/OC0A/PCINT11/PB3	43	2	PB6/MISO	AIN1/OC0/PB3	43
3	PB7/SCK	AIN0/INT2/PB2	42	3	PB7/PCINT15/SCK	AIN0/INT2/PCINT10/PB2	42	3	PB7/PCINT15/SCK	AIN0/INT2/PCINT10/PB2	42	3	PB7/SCK	AIN0/INT2/PB2	42
4	RESET#	T1/PB1	41	4	RESET#	T1/CLKO/PCINT9/PB1	41	4	RESET#	T1/CLKO/PCINT9/PB1	41	4	RESET#	T1/PB1	41
5	VCC	T0/XCK/PB0	39	5	VCC	T0/XCK0/PCINT8/PB0	39	5	VCC	T0/XCK0/PCINT8/PB0	39	5	VCC	T0/XCK/PB0	39
6	GND	GND	38	6	GND	GND	38	6	GND	GND	38	6	GND	GND	38
7	XTAL2	VCC	37	7	XTAL2	VCC	37	7	XTAL2	VCC	37	7	XTAL2	VCC	38
8	XTAL1	ADC0/PA0	36	8	XTAL1	ADC0/PCINT0/PA0	37	8	XTAL1	ADC0/PCINT0/PA0	37	8	XTAL1	ADC0/PA0	37
9	PD0/RXD	ADC1/PA1	35	9	PD0/PCINT24/RXD0	ADC1/PCINT1/PA1	36	9	PD0/PCINT24/RXD0	ADC1/PCINT1/PA1	36	9	PD0/RXD	ADC1/PA1	36
10	PD1/TXD	ADC2/PA2	34	10	PD1/PCINT25/TXD0	ADC2/PCINT2/PA2	35	10	PD1/PCINT25/TXD0	ADC2/PCINT2/PA2	35	10	PD1/TXD	ADC2/PA2	35
11	PD2/INT0	ADC3/PA3	33	11	PD2/PCINT26/RXD1/INT0	ADC3/PCINT3/PA3	34	11	PD2/PCINT26/INT0	ADC3/PCINT3/PA3	34	11	PD2/INT0	ADC3/PA3	34
12	PD3/INT1	ADC4/PA4	32	12	PD3/PCINT27/TXD1/INT1	ADC4/PCINT4/PA4	33	12	PD3/PCINT27/INT1	ADC4/PCINT4/PA4	33	12	PD3/INT1	ADC4/PA4	33
13	PD4/OC1B	ADC5/PA5	31	13	PD4/PCINT28/XCK1/OC1B	ADC5/PCINT5/PA5	32	13	PD4/PCINT28/OC1B	ADC5/PCINT5/PA5	32	13	PD4/OC1B	ADC5/PA5	32
14	PD5/OC1A	ADC6/PA6	30	14	PD5/PCINT29/OC1A	ADC6/PCINT6/PA6	31	14	PD5/PCINT29/OC1A	ADC6/PCINT6/PA6	31	14	PD5/OC1A	ADC6/PA6	31
15	PD6/ICP1	ADC7/PA7	29	15	PD6/PCINT30/OC2B/ICP	ADC7/PCINT7/PA7	29	15	PD6/PCINT30/OC2B/ICP	ADC7/PCINT7/PA7	29	15	PD6/ICP1	ADC7/PA7	30
16	PD7/OC2	AREF	28	16	PD7/PCINT31/OC2A	AREF	28	16	PD7/PCINT31/OC2A	AREF	28	16	PD7/OC2	AREF	29
17	VCC	GND	27	17	VCC	GND	27	17	VCC	GND	27	17	VCC	GND	28
18	GND	AVCC	26	18	GND	AVCC	26	18	GND	AVCC	26	18	GND	AVCC	27
19	PC0/SCL	TOSC2/PC7	25	19	PC0/PCINT16/SCL	TOSC2/PCINT23/PC7	26	19	PC0/PCINT16/SCL	TOSC2/PCINT23/PC7	26	19	PC0/SCL	TOSC2/PC7	26
20	PC1/SDA	TOSC1/PC6	24	20	PC1/PCINT17/SDA	TOSC1/PCINT22/PC6	25	20	PC1/PCINT17/SDA	TOSC1/PCINT22/PC6	25	20	PC1/SDA	TOSC1/PC6	25
21	PC2/TCK	TDI/PC5	23	21	PC2/PCINT18/TCK	TDI/PCINT21/PC5	24	21	PC2/PCINT18/TCK	TDI/PCINT21/PC5	24	21	PC2	PC5	24
22	PC3/TMS	TDO/PC4	22	22	PC3/PCINT19/TMS	TDO/PCINT20/PC4	23	22	PC3/PCINT19/TMS	TDO/PCINT20/PC4	23	22	PC3	PC4	23

No JTAG

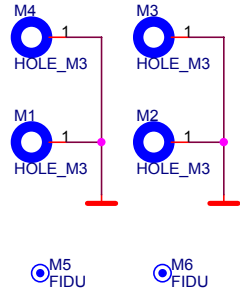
Firma		Author	
MLAB		MIHO	
Size	Project Name	Schematic Name	Rev
A4	MLAB	ATmegaTQ4401A	1.00
Date:	Tuesday, September 11, 2007	Sheet	1 of 2



**SPARE PARTS**



**MECHANICAL**



Firma		Author MIHO	
<b>MLAB</b>			
Size A4	Project Name MLAB	Schematic Name ATmegaTQ4401A	Rev 1.01
Date: Tuesday, September 11, 2007	Sheet 2 of 2		