

# AVRUSB01A

Universal module for software only USB for AVR

Should be compatible with (configuration of  
firmware may be needed):

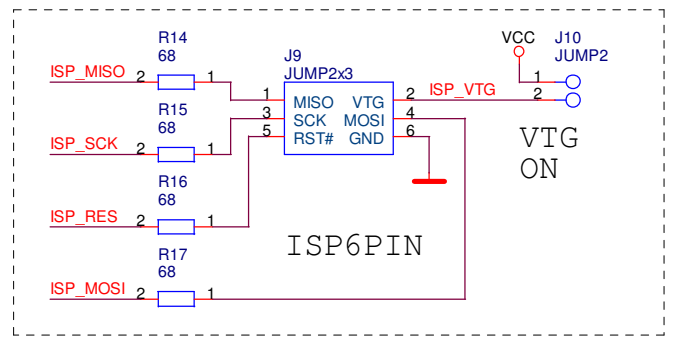
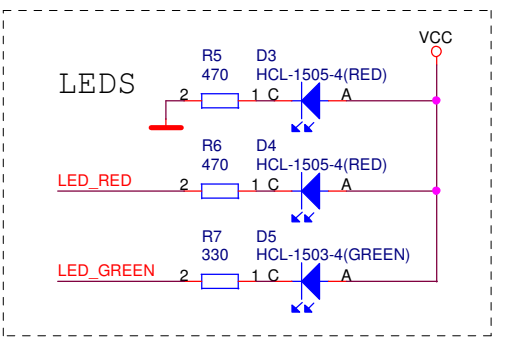
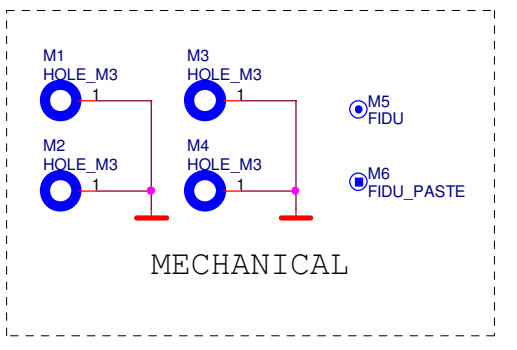
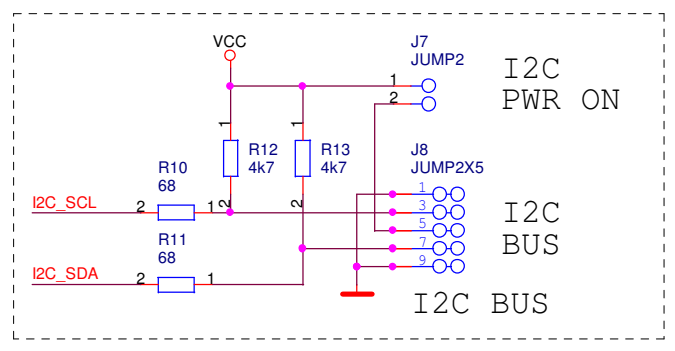
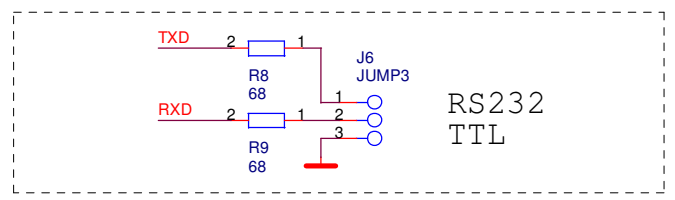
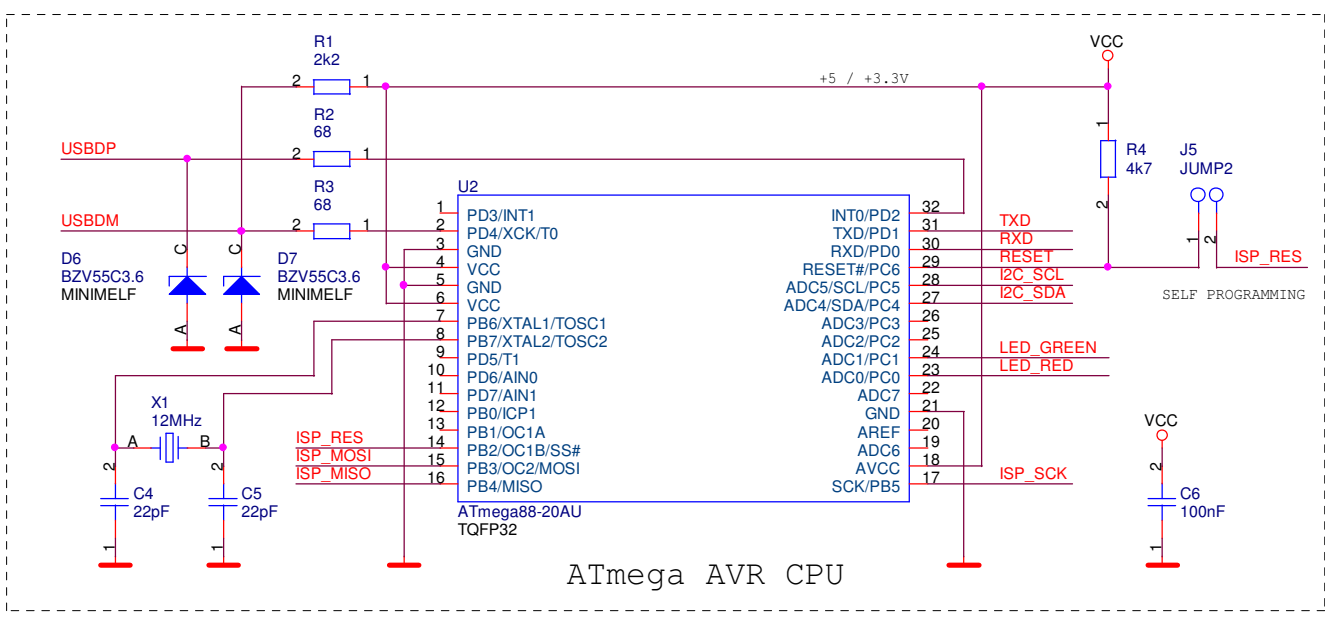
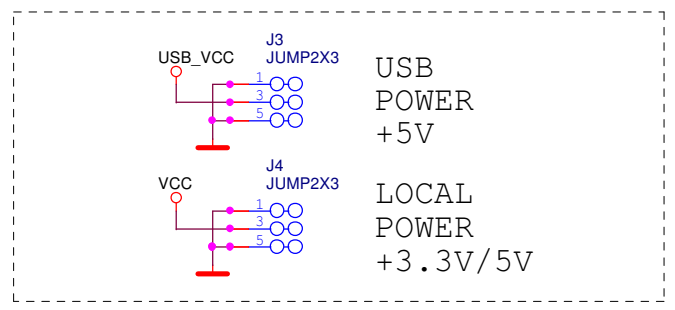
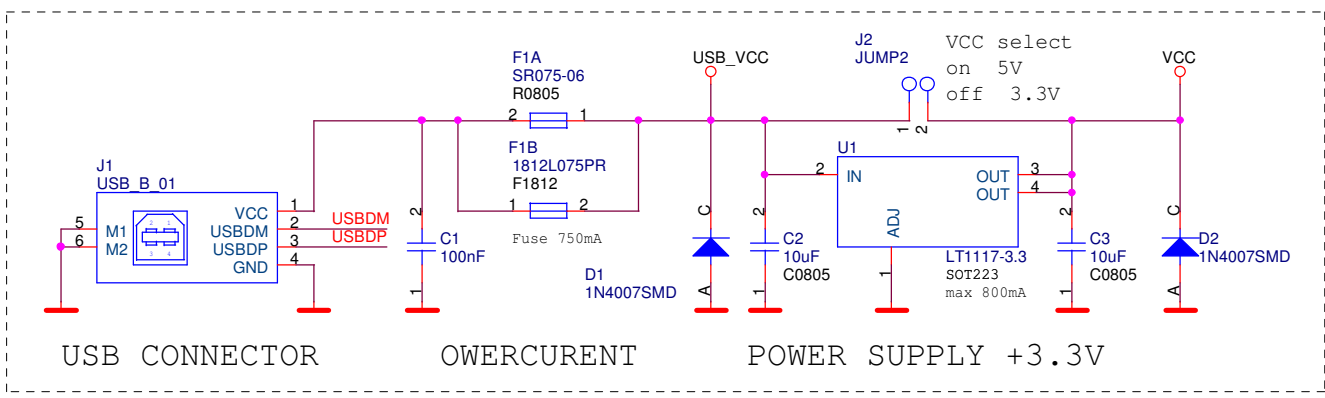
I2C-tiny-USB

USBasp

## HISTORY

1.00 New Module

Firma		<b>MLAB</b>		Author	
				MIHO	
Size	Project Name	Schematic Name	Rev		
A4	MLAB	AVRUSB01A	1.00		
Date:	Sunday, February 02, 2014	Sheet	1	of	2
		2		1	



Firma		<b>MLAB</b>		Author MIHO	
Size A4	Project Name <b>MLAB</b>	Schematic Name AVRUSB01A		Rev 1.00	
Date: 2	Sunday, February 02, 2014		Sheet 2	of 2	Rev 1