

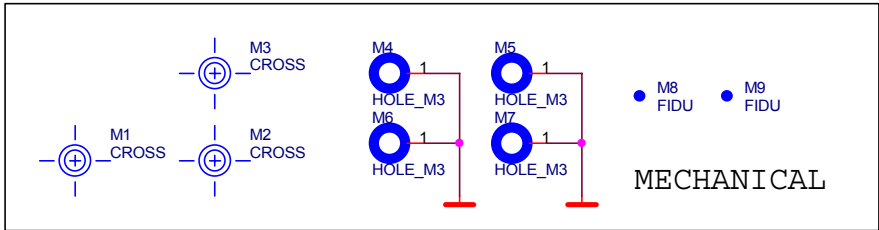
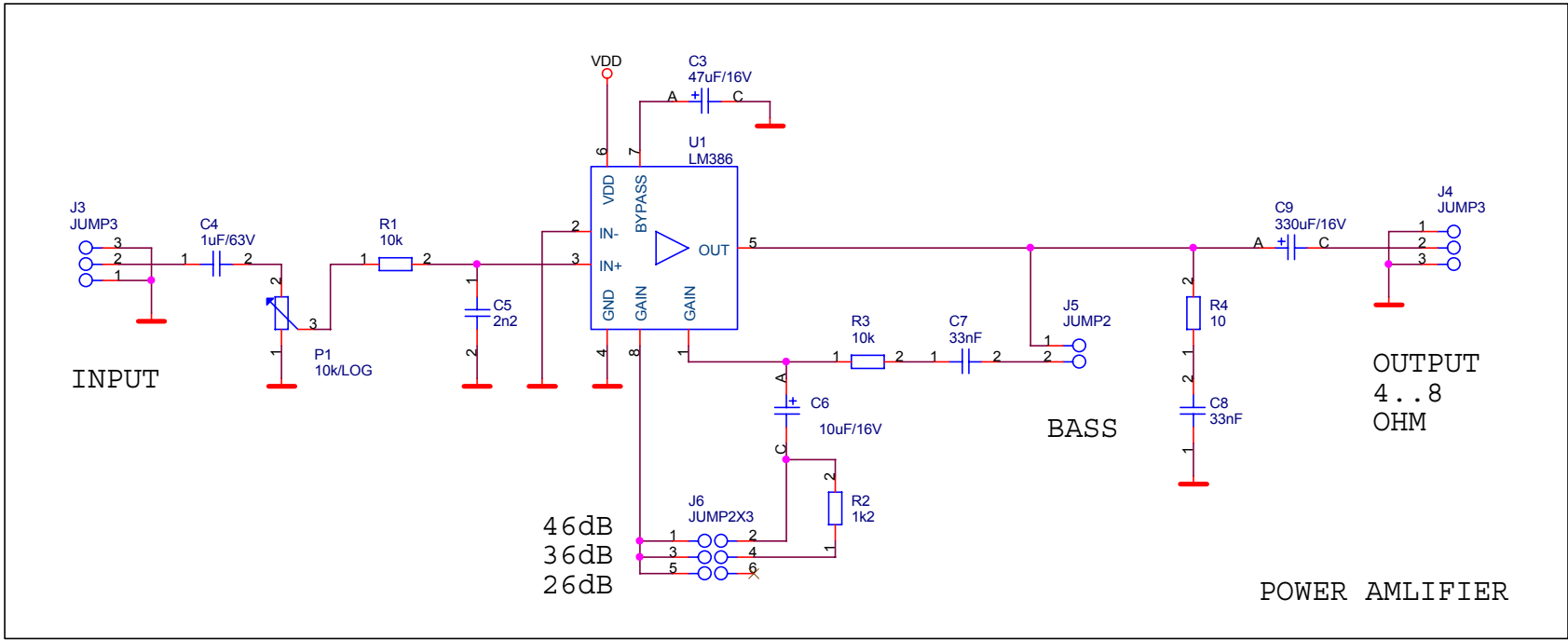
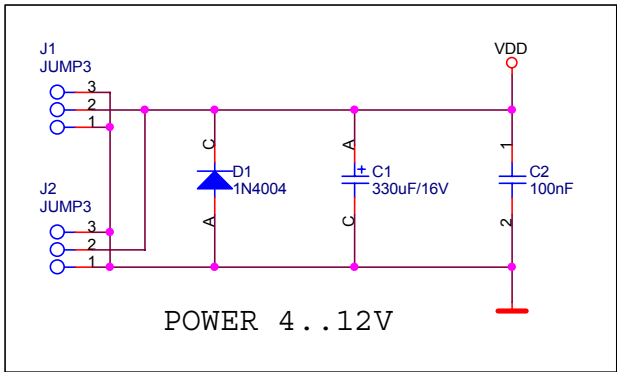
# LM38601A

## History

1.00 First Version

1.01 Correction U2 -> U1

Firma		<b>MLAB</b>		Author	
				MIHO	
Size	Project Name	Schematic Name	Rev		
A4	MLAB	LM38601A	1.01		
Date:	Wednesday, December 28, 2005	Sheet	1	of	2
		2		1	



Firma		Author	
<b>MLAB</b>		MIHO	
Size A4	Project Name MLAB	Schematic Name LM38601A	Rev 1.01
Date:	Wednesday, December 28, 2005	Sheet	2 of 2