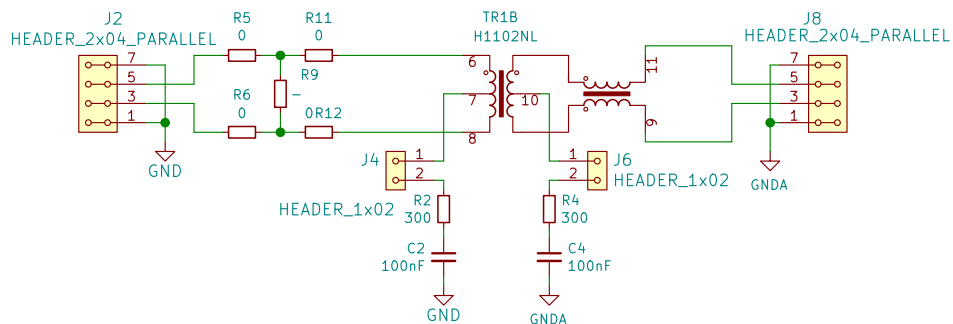
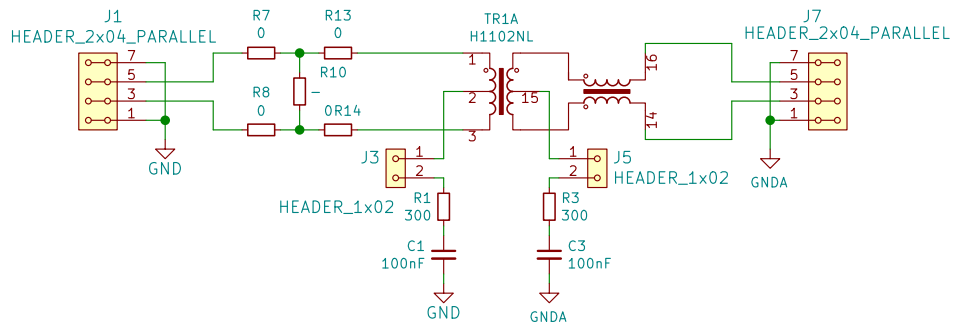


<http://www.tme.eu/cz/details/h1102nl/tlumivy-smd-ostatni/pulse/>



BSD	
nickname <email@example.com>	
Short description	
Two lines are maximum	
VERSION	
Mlab www.mlab.cz	
Sheet: /	
File: SYMTRANS01A.sch	
Title: NAME	
Size: A4	Date: %F
KiCad E.D.A. kicad 4.1.0-alpha+201609050731+711850ubuntu16.04.1	beta1