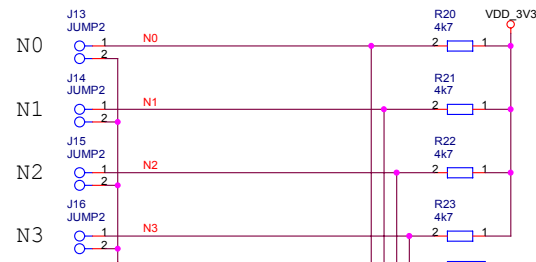
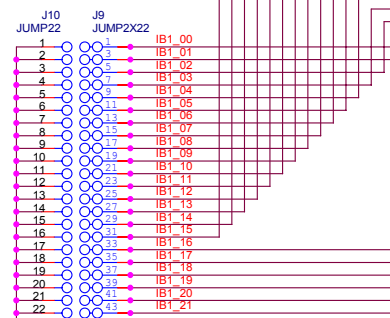


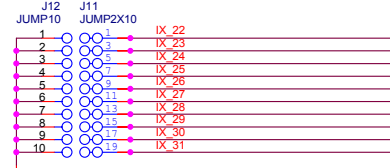
Firma		Author	
MLAB		MIHO	
Size	Project Name	Schematic Name	Rev
A3	MLAB	S3AN01A	1.00
Date:	Wednesday, January 19, 2011	Sheet	0 of 4



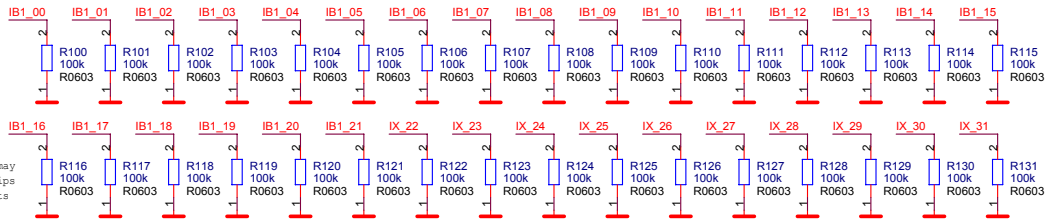
NIBBLE
ENABLE



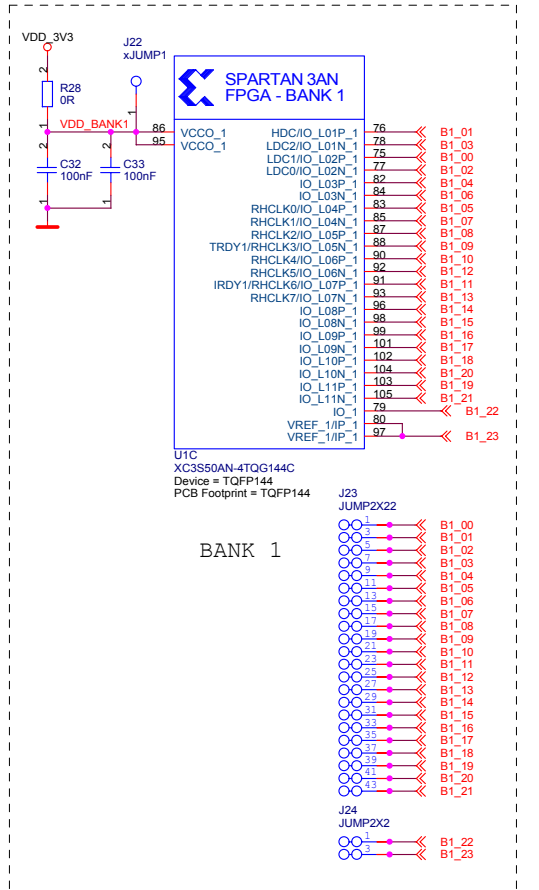
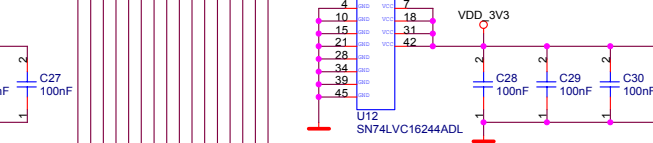
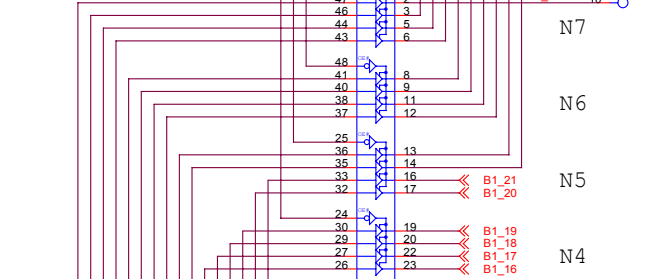
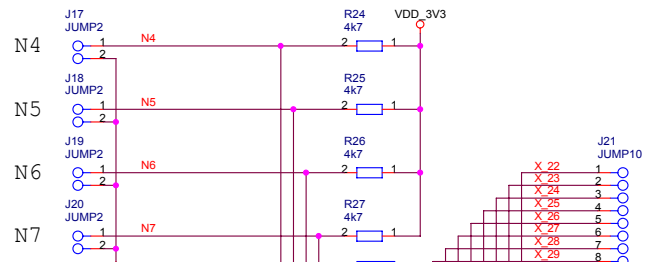
5V TOLERANT INPUTS (BANK 1)



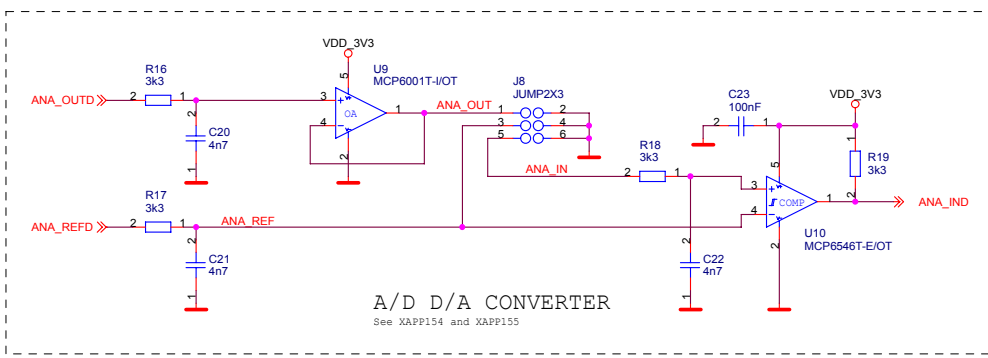
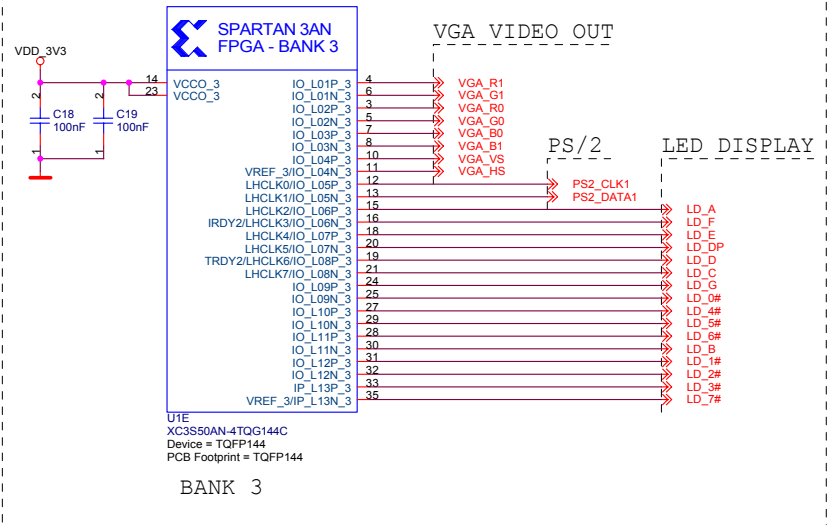
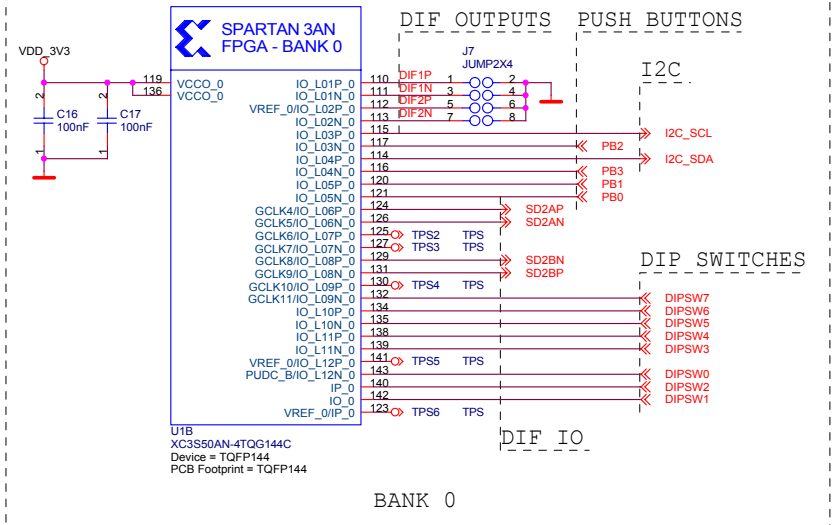
5V TOLERANT INPUTS



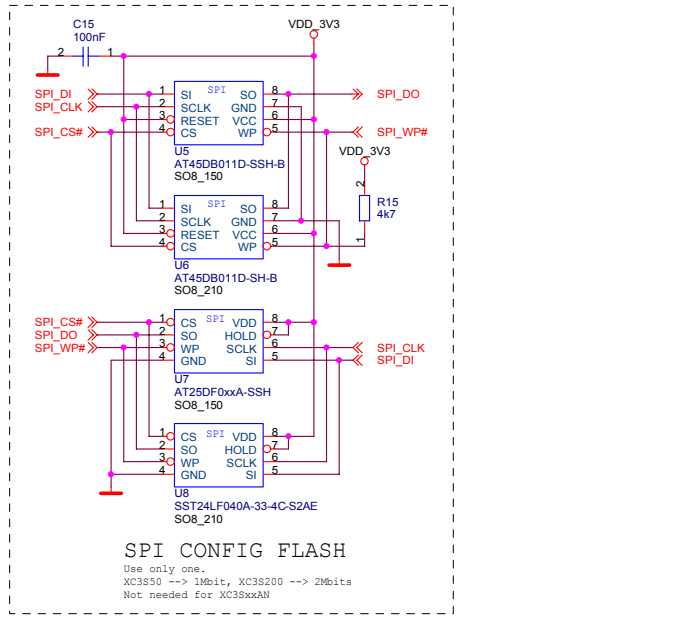
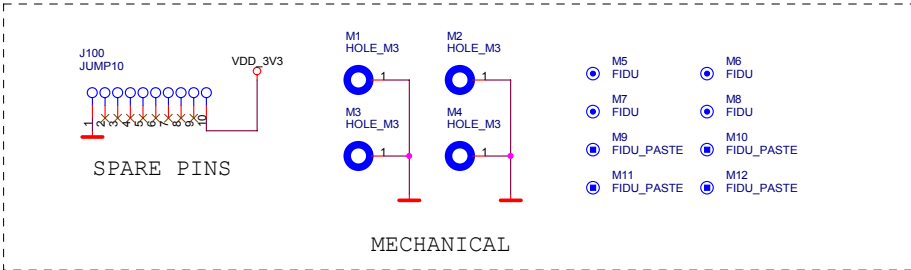
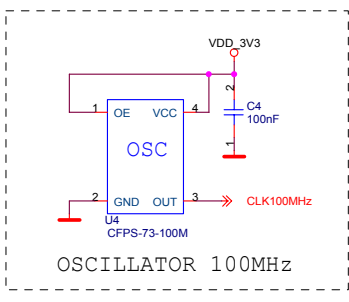
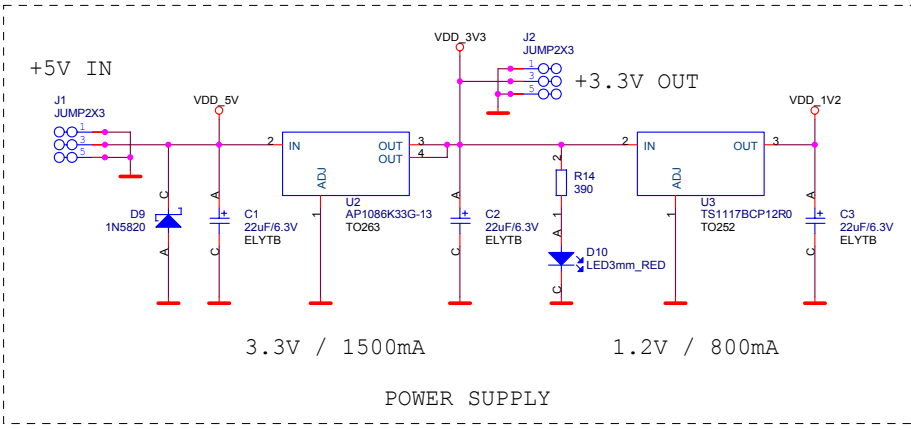
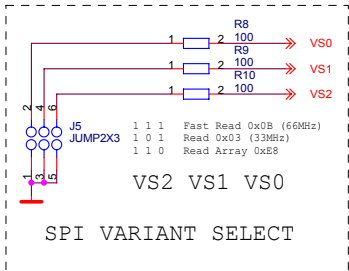
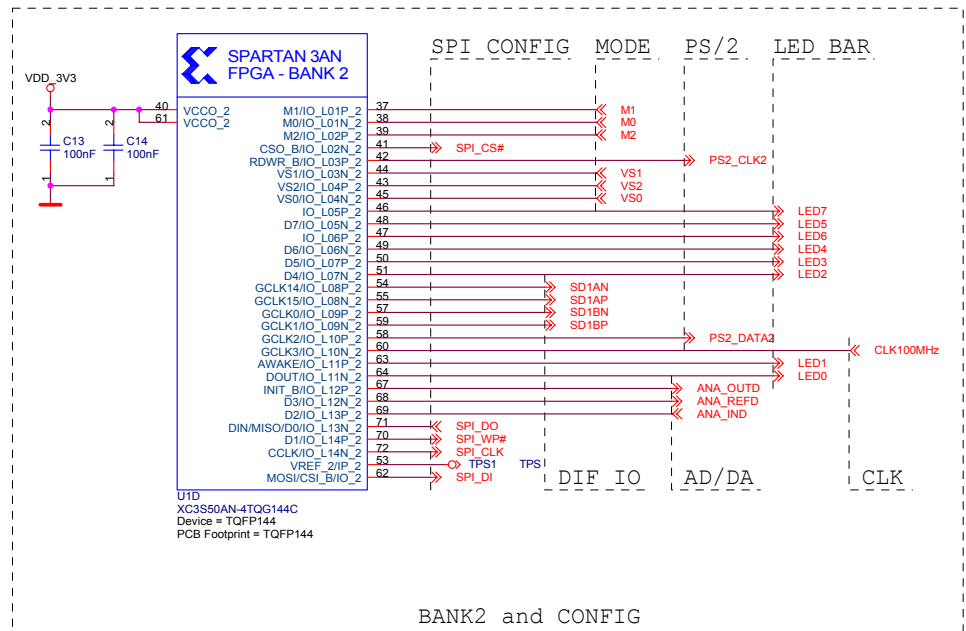
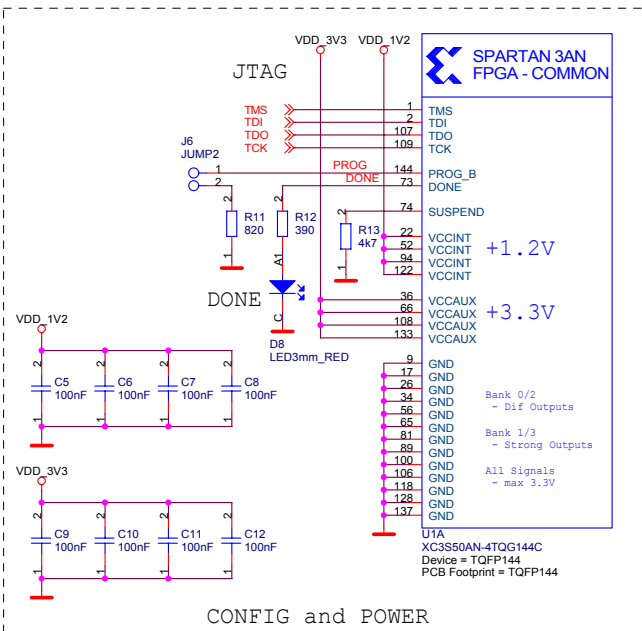
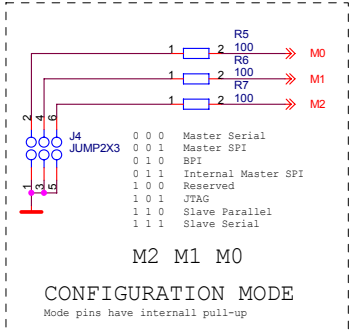
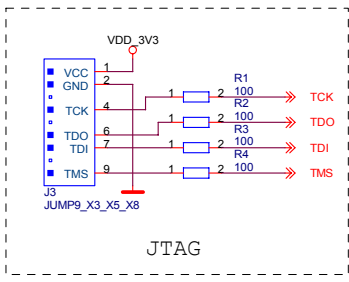
5V TOLERANT INPUTS for BANK 1



Firma		Author	
MLAB		MIHO	
Size	Project Name	Schematic Name	Rev
A3	MLAB	S3AN01A	1.00
Date:	Wednesday, January 19, 2011	Sheet	0 of 4



Firma		MLAB		Author	MIHO
Size	A3	Project Name	MLAB	Schematic Name	S3AN01A
Date:	Wednesday, January 19, 2011	Sheet	0	of	4
				Rev	0.00



Firma		Author MIHO	
MLAB			
Size A3	Project Name MLAB	Schematic Name S3AN01A	Rev 1.00
Date: Wednesday, January 19, 2011	Sheet 0 of 4		