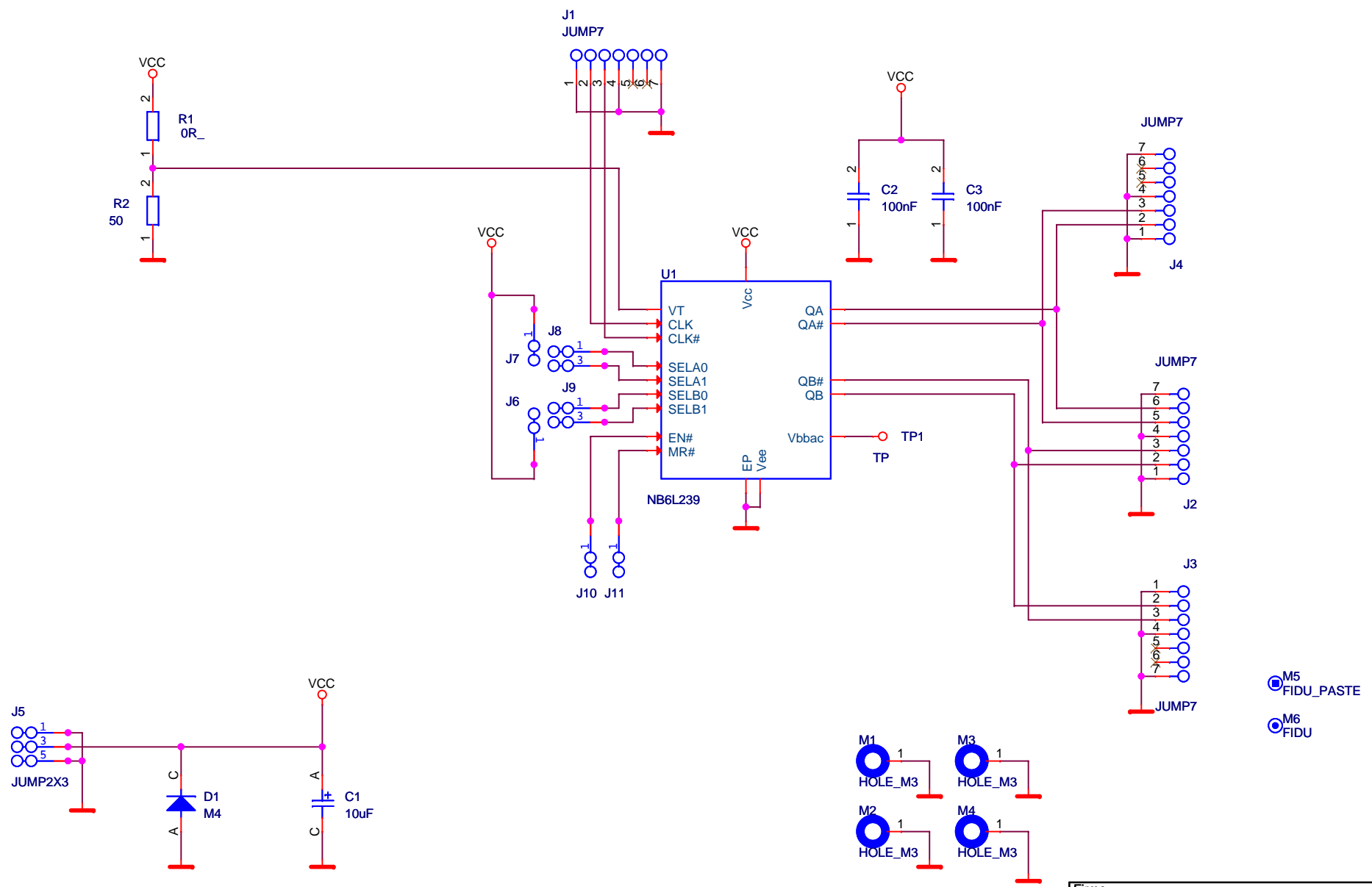


D

C

B

A



Firma		Author	
MLAB		KAKLIK	
Size	Project Name	Schematic Name	Rev
A4	CLK DIVIDER	CLKDIV	A
Date:	Saturday, December 14, 2013	Sheet	1 of 1