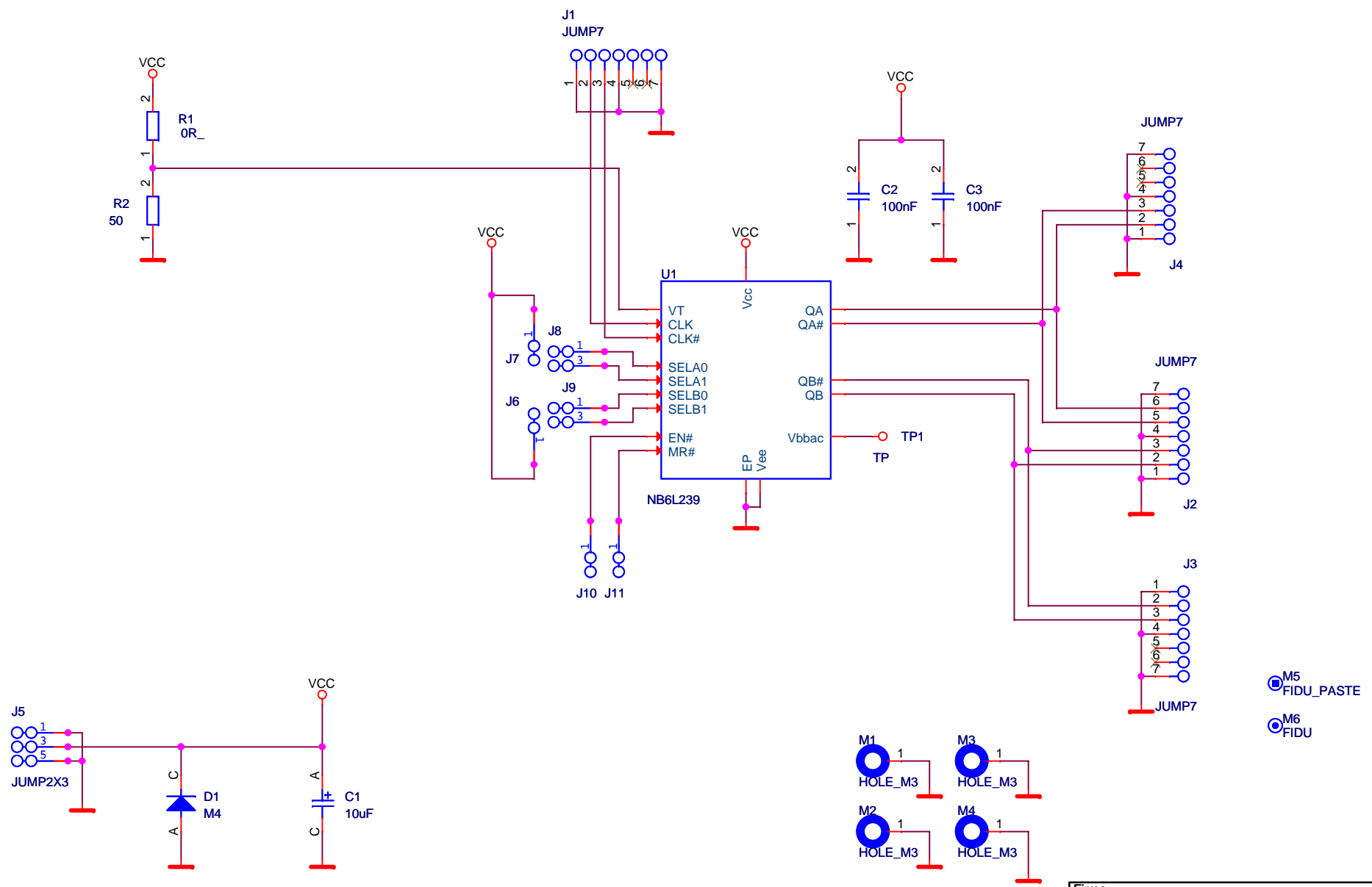


D

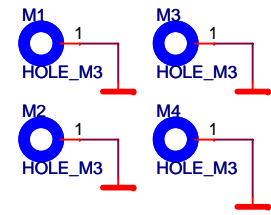
C

B

A



M5 FIDU\_PASTE  
 M6 FIDU



Firma		Author	
<b>MLAB</b>		KAKLIK	
Size	Project Name	Schematic Name	Rev
A4	CLK DIVIDER	CLKDIV	A
Date:	Saturday, December 14, 2013	Sheet	1 of 1