

LOW-VOLTAGE 1:10 LVPECL WITH SELECTABLE INPUT CLOCK DRIVER

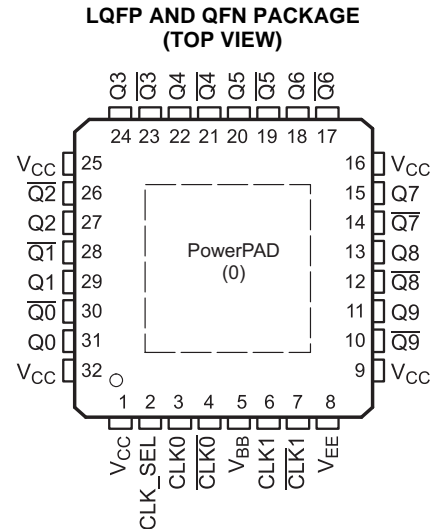
Check for Samples: [CDCLVP111](#)

FEATURES

- Distributes One Differential Clock Input Pair LVPECL to 10 Differential LVPECL
- Fully Compatible With LVECL/LVPECL
- Supports a Wide Supply Voltage Range From 2.375 V to 3.8 V
- Selectable Clock Input Through CLK_SEL
- Low-Output Skew (Typ 15 ps) for Clock-Distribution Applications
 - Additive Jitter Less Than 1 ps
 - Propagation Delay Less Than 350 ps
 - Open Input Default State
 - LVDS, CML, SSTL input compatible
- V_{BB} Reference Voltage Output for Single-Ended Clocking
- Available in a 32-Pin LQFP and QFN Package
- Frequency Range From DC to 3.5 GHz
- Pin-to-Pin Compatible With MC100 Series EP111, ES6111, LVEP111, PTN1111

APPLICATIONS

- Designed for Driving 50 Ω Transmission Lines
- High Performance Clock Distribution



DESCRIPTION

The CDCLVP111 clock driver distributes one differential clock pair of LVPECL input, (CLK0, CLK1) to ten pairs of differential LVPECL clock (Q0, Q9) outputs with minimum skew for clock distribution. The CDCLVP111 can accept two clock sources into an input multiplexer. The CDCLVP111 is specifically designed for driving 50- Ω transmission lines. When an output pin is not used, leaving it open is recommended to reduce power consumption. If only one of the output pins from a differential pair is used, the other output pin must be identically terminated to 50 Ω .

The V_{BB} reference voltage output is used if single-ended input operation is required. In this case, the V_{BB} pin should be connected to CLK0 and bypassed to GND via a 10-nF capacitor.

However, for high-speed performance up to 3.5 GHz, the differential mode is strongly recommended.

The CDCLVP111 is characterized for operation from -40°C to 85°C .

Table 1. FUNCTION TABLE

CLK_SEL	ACTIVE CLOCK INPUT
0	CLK0, $\overline{\text{CLK0}}$
1	CLK1, $\overline{\text{CLK1}}$



Please be aware that an important notice concerning availability, standard warranty, and use in critical applications of Texas Instruments semiconductor products and disclaimers thereto appears at the end of this data sheet.

PowerPAD is a trademark of Texas Instruments.

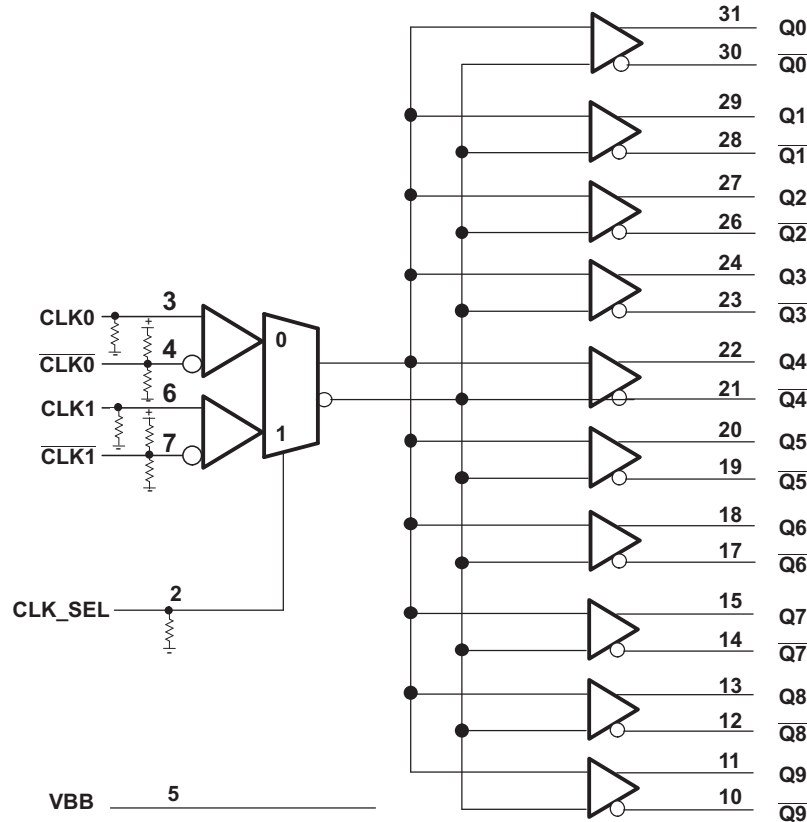
CDCLVP111

SCAS859D – JANUARY 2009 – REVISED MARCH 2010

www.ti.com


These devices have limited built-in ESD protection. The leads should be shorted together or the device placed in conductive foam during storage or handling to prevent electrostatic damage to the MOS gates.

DEVICE INFORMATION



PIN FUNCTIONS⁽¹⁾

PIN		DESCRIPTION
NAME	NO.	
CLK_SEL	2	Clock select. Used to select between CLK0 and CLK1 input pairs. LVTTTL/LVCMOS functionality compatible.
CLK0, $\overline{\text{CLK0}}$	3, 4	Differential LVECL/LVPECL input pair
CLK1, $\overline{\text{CLK1}}$	6, 7	
Q [9:0]	11, 13, 15, 18, 20, 22, 24, 27, 29, 31	LVECL/LVPECL clock outputs, these outputs provide low-skew copies of CLK _n .
$\overline{\text{Q}}$ [9:0]	10, 12, 14, 17, 19, 21, 23, 26, 28, 30	LVECL/LVPECL complementary clock outputs, these outputs provide copies of $\overline{\text{CLK}}_n$.
V _{BB}	5	Reference voltage output for single-ended input operation
V _{CC}	1, 9, 16, 25, 32	Supply voltage
V _{EE}	8	Device ground or negative supply voltage in ECL mode
PowerPAD™	0	The PowerPAD of the QFN32 and LQFP package is thermally connected to the die to improve the heat transfer out of the package. The pad of the LQFP with PowerPAD must be left floating or connected to V _{EE} . The pad of the QFN32 with PowerPAD must be connected to V _{EE} .

(1) CLK_n, CLK_SEL pull down resistor = 75 kΩ; $\overline{\text{CLK}}_n$ pull up resistor = 37.5 kΩ; $\overline{\text{CLK}}_n$ pull down resistor = 50 kΩ.

ABSOLUTE MAXIMUM RATINGS⁽¹⁾

		VALUE	UNIT
V_{CC}	Supply voltage (Relative to V_{EE})	-0.3 to 4.6	V
V_I	Input voltage	-0.3 to $V_{CC} + 0.5$	V
V_O	Output voltage	-0.3 to $V_{CC} + 0.5$	V
I_{IN}	Input current	± 20	mA
V_{EE}	Negative supply voltage (Relative to V_{CC})	-4.6 to 0.3	V
I_{BB}	Sink/source current	-1 to 1	mA
I_O	DC output current	-50	mA
T_{stg}	Storage temperature range	-65 to 150	°C
T_J	Maximum operating junction temperature	125	°C

(1) Stresses beyond those listed under "absolute maximum ratings" may cause permanent damage to the device. These are stress ratings only, and functional operation of the device at these or any other conditions beyond those indicated under "recommended operating conditions" is not implied. Exposure to absolute-maximum-rated conditions for extended periods may affect device reliability.

RECOMMENDED OPERATING CONDITIONS

		MIN	NOM	MAX	UNIT
V_{CC}	Supply voltage (relative to V_{EE})	2.375	2.5/3.3	3.8	V
T_A	Operating free-air temperature	-40		85	°C/W
T_J	Operating junction temperature			110	°C

PACKAGE THERMAL IMPEDANCE, VF (LQFP)

		TEST CONDITION	VALUE	UNIT
θ_{JA}	Thermal resistance junction to ambient ⁽¹⁾	0 LFM	74	°C/W
		150 LFM	66	°C/W
		250 LFM	64	°C/W
		500 LFM	61	°C/W
θ_{JC}	Thermal resistance junction to case		39	°C/W

(1) According to JESD 51-7 standard.

PACKAGE THERMAL IMPEDANCE, RHB (QFN)

		TEST CONDITION	VALUE	UNIT
θ_{JA}	Thermal resistance junction to ambient ⁽¹⁾	0 LFM	49	°C/W
		150 LFM	37	°C/W
		250 LFM	36	°C/W
		500 LFM	32	°C/W
θ_{JC}	Thermal resistance junction to case		19	°C/W

(1) According to JESD 51-7 standard.

LVECL DC ELECTRICAL CHARACTERISTICS

V_{supply} : $V_{CC} = 0$ V, $V_{EE} = -2.375$ V to -3.8 V over operating free-air temperature range (unless otherwise noted)

PARAMETER	TEST CONDITIONS	MIN	TYP	MAX	UNIT
I_{EE}	Supply internal current Absolute value of current			85	mA
I_{CC}	Output and internal supply current All outputs terminated 50 Ω to $V_{CC} - 2$ V	-40°C		354	mA
		25°C		380	
		85°C		405	
I_{IN}	Input current Includes pullup/pulldown resistors, $V_{IH} = V_{CC}$, $V_{IL} = V_{CC} - 2$ V			150	μ A

CDCLVP111

SCAS859D – JANUARY 2009 – REVISED MARCH 2010

www.ti.com

LVECL DC ELECTRICAL CHARACTERISTICS (continued)

 Vsupply: $V_{CC} = 0\text{ V}$, $V_{EE} = -2.375\text{ V to } -3.8\text{ V}$ over operating free-air temperature range (unless otherwise noted)

PARAMETER		TEST CONDITIONS		MIN	TYP	MAX	UNIT
V_{BB}	Internally generated bias voltage	For $V_{EE} = -3\text{ to } -3.8\text{ V}$, $I_{BB} = -0.2\text{ mA}$	-40°C, 25°C, 85°C	-1.45	-1.3	-1.15	V
		$V_{EE} = -2.375\text{ to } -2.75\text{ V}$, $I_{BB} = -0.2\text{ mA}$	-40°C, 25°C, 85°C	-1.4	-1.25	-1.1	
V_{IH}	High-level input voltage (CLK_SEL)		-40°C, 25°C, 85°C	-1.165		-0.88	V
V_{IL}	Low-level input voltage (CLK_SEL)		-40°C, 25°C, 85°C	-1.81		-1.475	V
V_{ID}	Input amplitude (CLKn, CLKn)	Difference of input $ V_{IH} - V_{IL} $, See (1)	-40°C, 25°C, 85°C	0.5		1.3	V
V_{CM}	Common-mode voltage (CLKn, CLKn)	DC offset relative to V_{EE}	-40°C, 25°C, 85°C	$V_{EE} + 1$		-0.3	V
V_{OH}	High-level output voltage	$I_{OH} = -21\text{ mA}$	-40°C	-1.26		-0.85	V
			25°C	-1.2		-0.85	
			85°C	-1.15		-0.85	
V_{OL}	Low-level output voltage	$I_{OL} = -5\text{ mA}$	-40°C	-1.85		-1.5	V
			25°C	-1.85		-1.45	
			85°C	-1.85		-1.4	
V_{OD}	Differential output voltage swing	Terminated with 50 Ω to $V_{CC} - 2\text{ V}$, See Figure 3	-40°C, 25°C, 85°C	600			mV

 (1) V_{ID} minimum and maximum is required to maintain ac specifications, actual device function tolerates a minimum V_{ID} of 100 mV.

LVPECL DC ELECTRICAL CHARACTERISTICS

 Vsupply: $V_{CC} = 2.375\text{ V to } 3.8\text{ V}$, $V_{EE} = 0\text{ V}$ over operating free-air temperature range (unless otherwise noted)

PARAMETER		TEST CONDITIONS		MIN	TYP	MAX	UNIT
I_{EE}	Supply internal current	Absolute value of current	-40°C, 25°C, 85°C	40		85	mA
I_{CC}	Output and internal supply current	All outputs terminated 50 Ω to $V_{CC} - 2\text{ V}$	-40°C			354	mA
			25°C			380	
			85°C			405	
I_{IN}	Input current	Includes pullup/pulldown resistors $V_{IH} = V_{CC}$, $V_{IL} = V_{CC} - 2\text{ V}$	-40°C, 25°C, 85°C	-150		150	μA
V_{BB}	Internally generated bias voltage	$V_{CC} = 3\text{ to } 3.8\text{ V}$, $I_{BB} = -0.2\text{ mA}$	-40°C, 25°C, 85°C	$V_{CC} - 1.45$	$V_{CC} - 1.3$	$V_{CC} - 1.15$	V
		$V_{CC} = 2.375\text{ to } 2.75\text{ V}$, $I_{BB} = -0.2\text{ mA}$	-40°C, 25°C, 85°C	$V_{CC} - 1.4$	$V_{CC} - 1.25$	$V_{CC} - 1.1$	
V_{IH}	High-level input voltage (CLK_SEL)		-40°C, 25°C, 85°C	$V_{CC} - 1.165$		$V_{CC} - 0.88$	V
V_{IL}	Low-level input voltage (CLK_SEL)		-40°C, 25°C, 85°C	$V_{CC} - 1.81$		$V_{CC} - 1.475$	V
V_{ID}	Input amplitude (CLKn, CLKn)	Difference of input $ V_{IH} - V_{IL} $, see (1)	-40°C, 25°C, 85°C	0.5		1.3	V
V_{CM}	Common-mode voltage (CLKn, CLKn)	DC offset relative to V_{EE}	-40°C, 25°C, 85°C	1		$V_{CC} - 0.3$	V
V_{OH}	High-level output voltage	$I_{OH} = -21\text{ mA}$	-40°C	$V_{CC} - 1.26$		$V_{CC} - 0.85$	V
			25°C	$V_{CC} - 1.2$		$V_{CC} - 0.85$	
			85°C	$V_{CC} - 1.15$		$V_{CC} - 0.85$	

 (1) V_{ID} minimum and maximum is required to maintain ac specifications, actual device function tolerates a minimum V_{ID} of 100 mV.

LVPECL DC ELECTRICAL CHARACTERISTICS (continued)

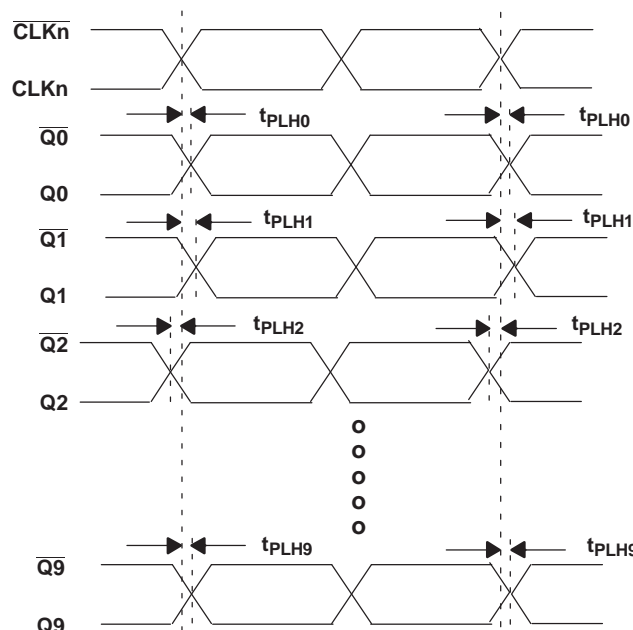
Vsupply: $V_{CC} = 2.375\text{ V to }3.8\text{ V}$, $V_{EE} = 0\text{ V}$ over operating free-air temperature range (unless otherwise noted)

PARAMETER	TEST CONDITIONS	MIN	TYP	MAX	UNIT
V_{OL} Low-level output voltage	$I_{OL} = -5\text{ mA}$	-40°C		$V_{CC} - 1.5$	V
		25°C	$V_{CC} - 1.85$	$V_{CC} - 1.45$	
		85°C	$V_{CC} - 1.85$	$V_{CC} - 1.4$	
V_{OD} Differential output voltage swing	Terminated with 50 Ω to $V_{CC} - 2\text{ V}$, See Figure 3	-40°C, 25°C, 85°C	600		mV

AC ELECTRICAL CHARACTERISTICS

Vsupply: $V_{CC} = 2.375\text{ V to }3.8\text{ V}$, $V_{EE} = 0\text{ V}$ or LVECL/LVPECL input $V_{CC} = 0\text{ V}$, $V_{EE} = -2.375\text{ V to }-3.8\text{ V}$ over operating free-air temperature range (unless otherwise noted)

PARAMETER	TEST CONDITIONS	MIN	TYP	MAX	UNIT
t_{pd} Differential propagation delay CLK_n , CLK_n to all $Q_0, Q_0 \dots Q_9, Q_9$	See	200		350	ps
$t_{sk(o)}$ Output-to-output skew	See , and Figure 1		15	30	ps
$t_{sk(pp)}$ Part-to-part skew	See , and Figure 1			70	ps
t_{aj} Additive phase jitter	Integration bandwidth of 20 kHz to 20 MHz, $f_{out} = 125\text{ MHz}$ at 25°C		0.04	< 0.8	ps
$f_{(max)}$ Maximum frequency	Functional up to 3.5 GHz, see Figure 3			3500	MHz
t_r/t_f Output rise and fall time (20%, 80%)	See	90		200	ps



- Output skew is calculated as the greater of: The difference between the fastest and the slowest t_{PLH_n} ($n = 0, 1, \dots, 9$) or the difference between the fastest and the slowest t_{PHL_n} ($n = 0, 1, \dots, 9$).
- Part-to-part skew, is calculated as the greater of: The difference between the fastest and the slowest t_{PLH_n} ($n = 0, 1, \dots, 9$) across multiple devices or the difference between the fastest and the slowest t_{PHL_n} ($n = 0, 1, \dots, 9$) across multiple devices.
- Typical value measured at ambient when clock input is 155.52MHz for an integration bandwidth of 20 kHz to 5 MHz.
- Input conditions: $V_{CM} = 1\text{ V}$, $V_{ID} = 0.5\text{ V}$ and $F_{IN} = 1\text{ GHz}$.

Figure 1. Waveform for Calculating Both Output and Part-to-Part Skew

CDCLVP111

SCAS859D – JANUARY 2009 – REVISED MARCH 2010

www.ti.com

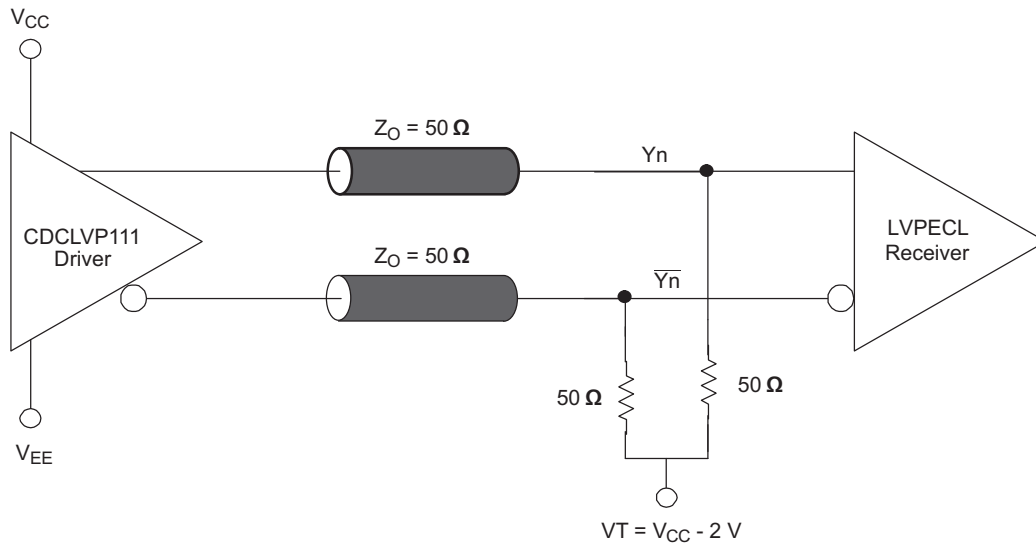


Figure 2. Typical Termination for Output Driver (See the Interfacing Between LVPECL, LVDS, and CML Application Note, Literature Number [SCAA056](#))

DIFFERENTIAL OUTPUT VOLTAGE SWING
VS
FREQUENCY

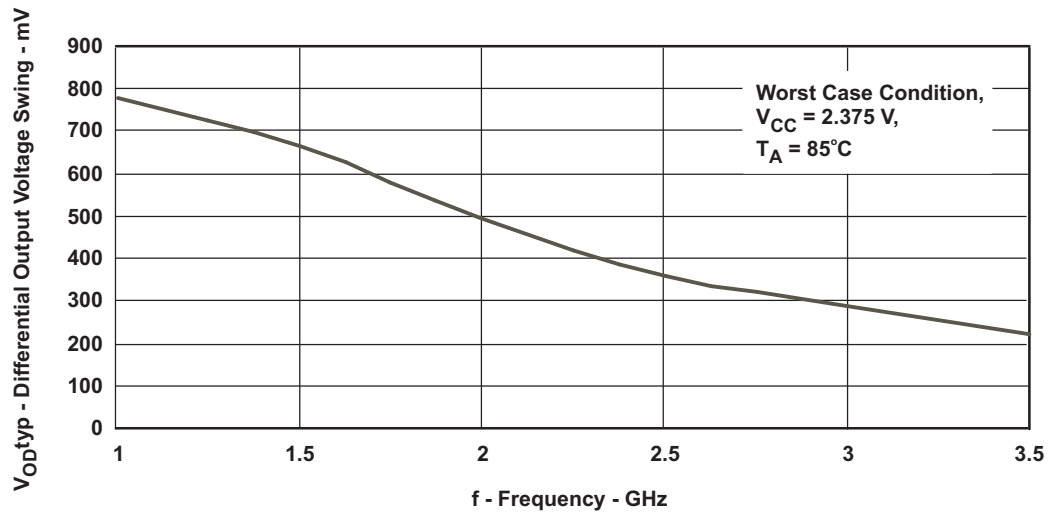


Figure 3. LVPECL Input Using CLK0 Pair, $V_{CM} = 1\text{ V}$, $V_{ID} = 0.5\text{ V}$

REVISION HISTORY

Changes from Original (January 2009) to Revision A	Page
<ul style="list-style-type: none"> • Changed note refernces within the AC ELECTRICAL CHARACTERISTICS table 5 • Added a Typ value of 0.04ps to the Additive phase jitter in the AC ELECTRICAL CHARACTERISTICS 5 	5
Changes from Revision A (March 2009) to Revision B	Page
<ul style="list-style-type: none"> • Added LVTTTL/LVCMOS functionality compatible. 2 	2
Changes from Revision B (April 2009) to Revision C	Page
<ul style="list-style-type: none"> • Changed PowerPAD information to the Pinout Package 1 • Added PowerPAD information to the Pin Functions table 2 	1 2
Changes from Revision C (November 2009) to Revision D	Page
<ul style="list-style-type: none"> • Changed the PowerPAD description in the PIN FUNCTIONS table to include the LQFP package information. 2 • Deleted duplicate information covering the PowerPAD from Note 1 of the Pin Functions table. 2 	2 2

PACKAGING INFORMATION

Orderable Device	Status ⁽¹⁾	Package Type	Package Drawing	Pins	Package Qty	Eco Plan ⁽²⁾	Lead/Ball Finish	MSL Peak Temp ⁽³⁾
CDCLVP111RHBR	ACTIVE	QFN	RHB	32	3000	Green (RoHS & no Sb/Br)	CU NIPDAU	Level-2-260C-1 YEAR
CDCLVP111RHBT	ACTIVE	QFN	RHB	32	250	Green (RoHS & no Sb/Br)	CU NIPDAU	Level-2-260C-1 YEAR
CDCLVP111VF	ACTIVE	LQFP	VF	32	250	Green (RoHS & no Sb/Br)	CU NIPDAU	Level-1-260C-UNLIM
CDCLVP111VFR	ACTIVE	LQFP	VF	32	1000	Green (RoHS & no Sb/Br)	CU NIPDAU	Level-1-260C-UNLIM

⁽¹⁾ The marketing status values are defined as follows:

ACTIVE: Product device recommended for new designs.

LIFEBUY: TI has announced that the device will be discontinued, and a lifetime-buy period is in effect.

NRND: Not recommended for new designs. Device is in production to support existing customers, but TI does not recommend using this part in a new design.

PREVIEW: Device has been announced but is not in production. Samples may or may not be available.

OBSOLETE: TI has discontinued the production of the device.

⁽²⁾ Eco Plan - The planned eco-friendly classification: Pb-Free (RoHS), Pb-Free (RoHS Exempt), or Green (RoHS & no Sb/Br) - please check <http://www.ti.com/productcontent> for the latest availability information and additional product content details.

TBD: The Pb-Free/Green conversion plan has not been defined.

Pb-Free (RoHS): TI's terms "Lead-Free" or "Pb-Free" mean semiconductor products that are compatible with the current RoHS requirements for all 6 substances, including the requirement that lead not exceed 0.1% by weight in homogeneous materials. Where designed to be soldered at high temperatures, TI Pb-Free products are suitable for use in specified lead-free processes.

Pb-Free (RoHS Exempt): This component has a RoHS exemption for either 1) lead-based flip-chip solder bumps used between the die and package, or 2) lead-based die adhesive used between the die and leadframe. The component is otherwise considered Pb-Free (RoHS compatible) as defined above.

Green (RoHS & no Sb/Br): TI defines "Green" to mean Pb-Free (RoHS compatible), and free of Bromine (Br) and Antimony (Sb) based flame retardants (Br or Sb do not exceed 0.1% by weight in homogeneous material)

⁽³⁾ MSL, Peak Temp. -- The Moisture Sensitivity Level rating according to the JEDEC industry standard classifications, and peak solder temperature.

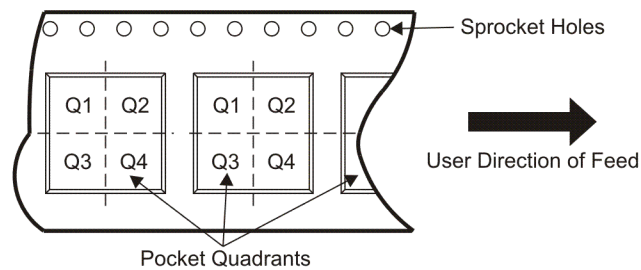
Important Information and Disclaimer: The information provided on this page represents TI's knowledge and belief as of the date that it is provided. TI bases its knowledge and belief on information provided by third parties, and makes no representation or warranty as to the accuracy of such information. Efforts are underway to better integrate information from third parties. TI has taken and continues to take reasonable steps to provide representative and accurate information but may not have conducted destructive testing or chemical analysis on incoming materials and chemicals. TI and TI suppliers consider certain information to be proprietary, and thus CAS numbers and other limited information may not be available for release.

In no event shall TI's liability arising out of such information exceed the total purchase price of the TI part(s) at issue in this document sold by TI to Customer on an annual basis.

TAPE AND REEL INFORMATION



QUADRANT ASSIGNMENTS FOR PIN 1 ORIENTATION IN TAPE



*All dimensions are nominal

Device	Package Type	Package Drawing	Pins	SPQ	Reel Diameter (mm)	Reel Width W1 (mm)	A0 (mm)	B0 (mm)	K0 (mm)	P1 (mm)	W (mm)	Pin1 Quadrant
CDCLVP111RHBR	QFN	RHB	32	3000	330.0	12.4	5.3	5.3	1.5	8.0	12.0	Q2
CDCLVP111RHBT	QFN	RHB	32	250	330.0	12.4	5.3	5.3	1.5	8.0	12.0	Q2
CDCLVP111VFR	LQFP	VF	32	1000	330.0	16.4	9.6	9.6	1.9	12.0	16.0	Q2

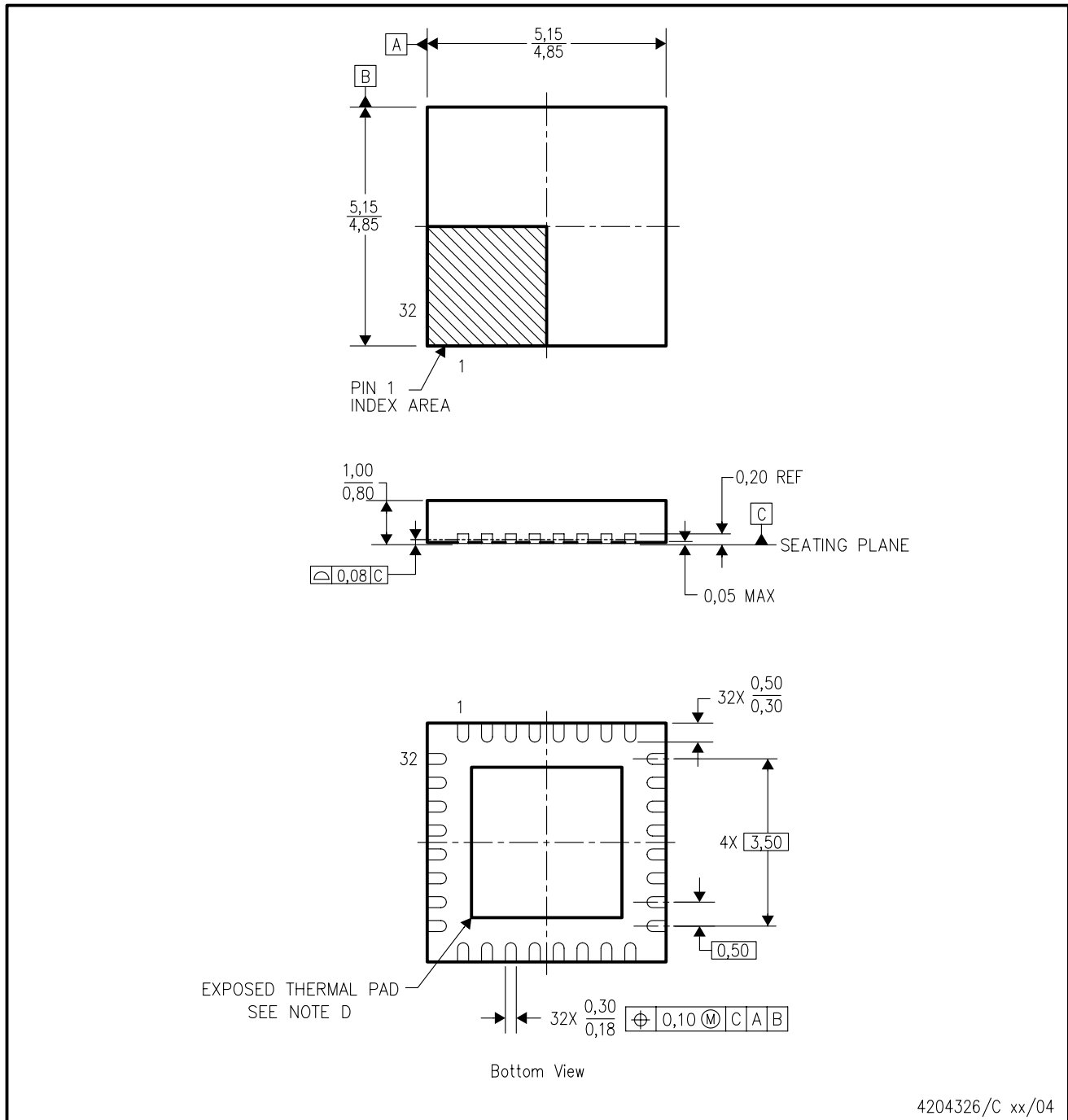
TAPE AND REEL BOX DIMENSIONS


*All dimensions are nominal

Device	Package Type	Package Drawing	Pins	SPQ	Length (mm)	Width (mm)	Height (mm)
CDCLVP111RHBR	QFN	RHB	32	3000	340.5	333.0	20.6
CDCLVP111RHBT	QFN	RHB	32	250	340.5	333.0	20.6
CDCLVP111VFR	LQFP	VF	32	1000	333.2	345.9	28.6

RHB (S-PQFP-N32)

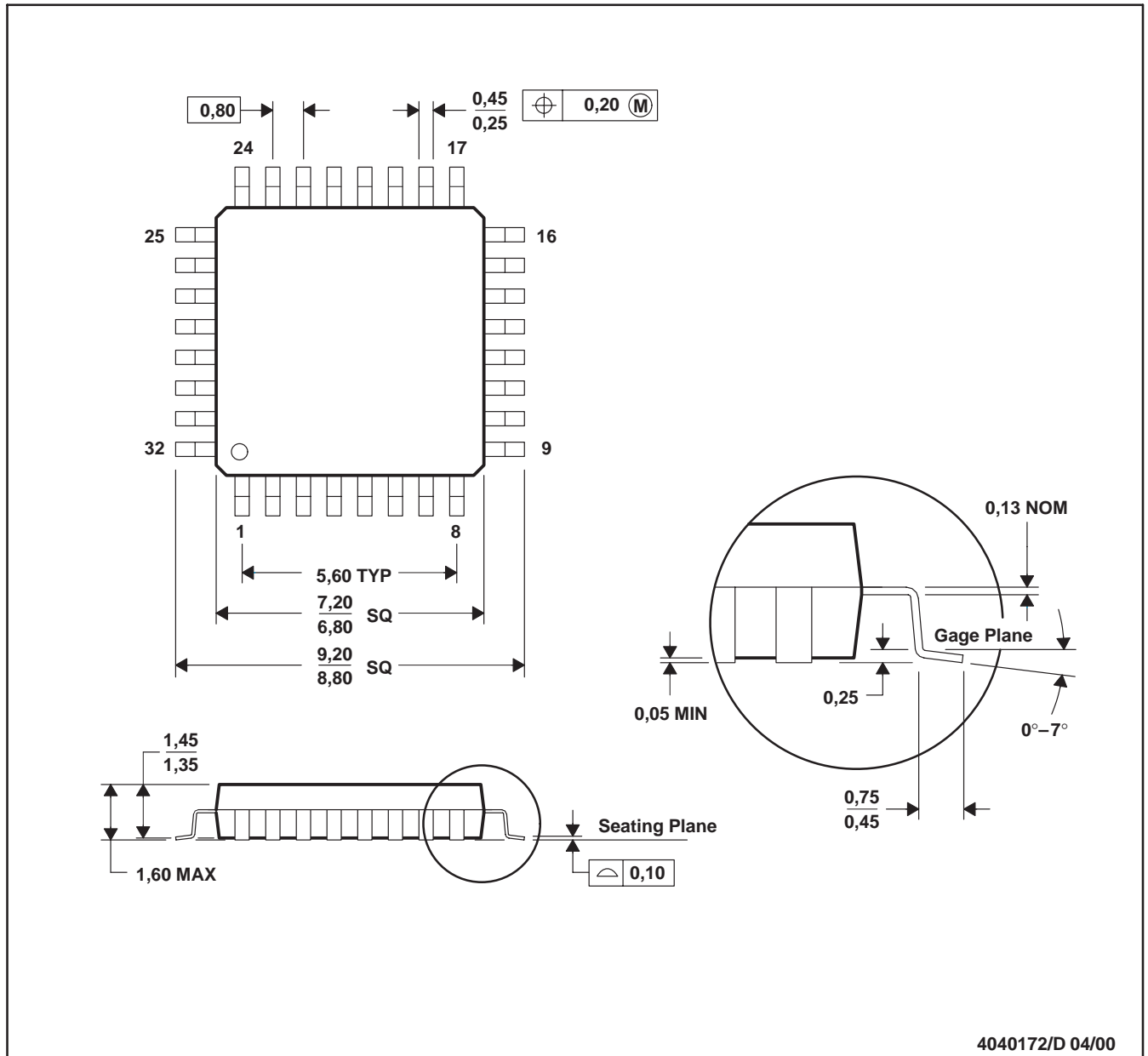
PLASTIC QUAD FLATPACK



- NOTES:
- A. All linear dimensions are in millimeters.
 - B. This drawing is subject to change without notice.
 - C. QFN (Quad Flatpack No-Lead) Package configuration.
 - D. The Package thermal pad must be soldered to the board for thermal and mechanical performance. See product data sheet for details regarding the exposed thermal pad dimensions.
 - E. Falls within JEDEC MO-220.

VF (S-PQFP-G32)

PLASTIC QUAD FLATPACK



- NOTES: A. All linear dimensions are in millimeters.
 B. This drawing is subject to change without notice.

IMPORTANT NOTICE

Texas Instruments Incorporated and its subsidiaries (TI) reserve the right to make corrections, modifications, enhancements, improvements, and other changes to its products and services at any time and to discontinue any product or service without notice. Customers should obtain the latest relevant information before placing orders and should verify that such information is current and complete. All products are sold subject to TI's terms and conditions of sale supplied at the time of order acknowledgment.

TI warrants performance of its hardware products to the specifications applicable at the time of sale in accordance with TI's standard warranty. Testing and other quality control techniques are used to the extent TI deems necessary to support this warranty. Except where mandated by government requirements, testing of all parameters of each product is not necessarily performed.

TI assumes no liability for applications assistance or customer product design. Customers are responsible for their products and applications using TI components. To minimize the risks associated with customer products and applications, customers should provide adequate design and operating safeguards.

TI does not warrant or represent that any license, either express or implied, is granted under any TI patent right, copyright, mask work right, or other TI intellectual property right relating to any combination, machine, or process in which TI products or services are used. Information published by TI regarding third-party products or services does not constitute a license from TI to use such products or services or a warranty or endorsement thereof. Use of such information may require a license from a third party under the patents or other intellectual property of the third party, or a license from TI under the patents or other intellectual property of TI.

Reproduction of TI information in TI data books or data sheets is permissible only if reproduction is without alteration and is accompanied by all associated warranties, conditions, limitations, and notices. Reproduction of this information with alteration is an unfair and deceptive business practice. TI is not responsible or liable for such altered documentation. Information of third parties may be subject to additional restrictions.

Resale of TI products or services with statements different from or beyond the parameters stated by TI for that product or service voids all express and any implied warranties for the associated TI product or service and is an unfair and deceptive business practice. TI is not responsible or liable for any such statements.

TI products are not authorized for use in safety-critical applications (such as life support) where a failure of the TI product would reasonably be expected to cause severe personal injury or death, unless officers of the parties have executed an agreement specifically governing such use. Buyers represent that they have all necessary expertise in the safety and regulatory ramifications of their applications, and acknowledge and agree that they are solely responsible for all legal, regulatory and safety-related requirements concerning their products and any use of TI products in such safety-critical applications, notwithstanding any applications-related information or support that may be provided by TI. Further, Buyers must fully indemnify TI and its representatives against any damages arising out of the use of TI products in such safety-critical applications.

TI products are neither designed nor intended for use in military/aerospace applications or environments unless the TI products are specifically designated by TI as military-grade or "enhanced plastic." Only products designated by TI as military-grade meet military specifications. Buyers acknowledge and agree that any such use of TI products which TI has not designated as military-grade is solely at the Buyer's risk, and that they are solely responsible for compliance with all legal and regulatory requirements in connection with such use.

TI products are neither designed nor intended for use in automotive applications or environments unless the specific TI products are designated by TI as compliant with ISO/TS 16949 requirements. Buyers acknowledge and agree that, if they use any non-designated products in automotive applications, TI will not be responsible for any failure to meet such requirements.

Following are URLs where you can obtain information on other Texas Instruments products and application solutions:

Products		Applications	
Amplifiers	amplifier.ti.com	Audio	www.ti.com/audio
Data Converters	dataconverter.ti.com	Automotive	www.ti.com/automotive
DLP® Products	www.dlp.com	Communications and Telecom	www.ti.com/communications
DSP	dsp.ti.com	Computers and Peripherals	www.ti.com/computers
Clocks and Timers	www.ti.com/clocks	Consumer Electronics	www.ti.com/consumer-apps
Interface	interface.ti.com	Energy	www.ti.com/energy
Logic	logic.ti.com	Industrial	www.ti.com/industrial
Power Mgmt	power.ti.com	Medical	www.ti.com/medical
Microcontrollers	microcontroller.ti.com	Security	www.ti.com/security
RFID	www.ti-rfid.com	Space, Avionics & Defense	www.ti.com/space-avionics-defense
RF/IF and ZigBee® Solutions	www.ti.com/lprf	Video and Imaging	www.ti.com/video
		Wireless	www.ti.com/wireless-apps