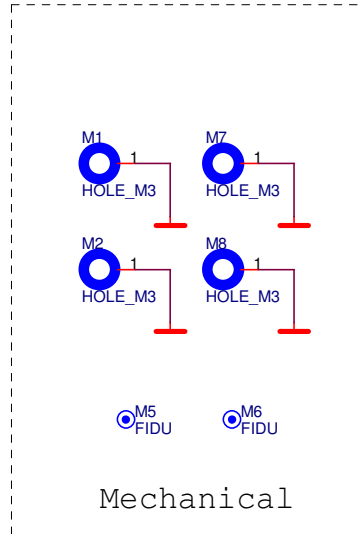
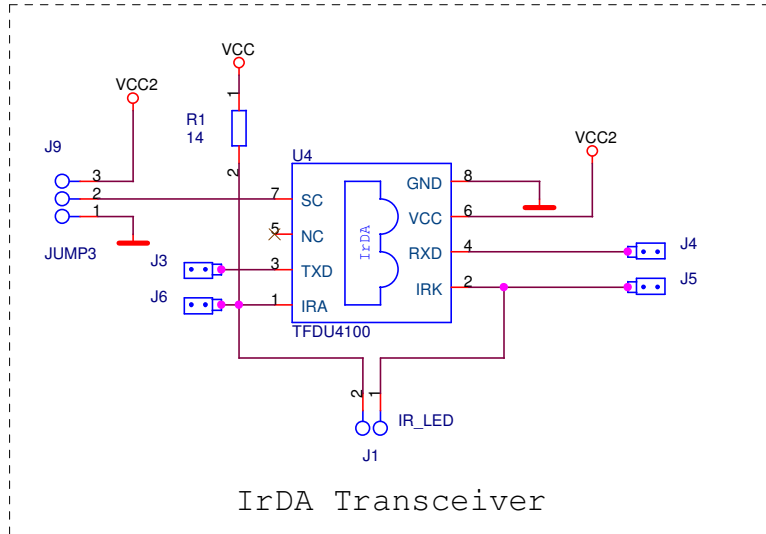
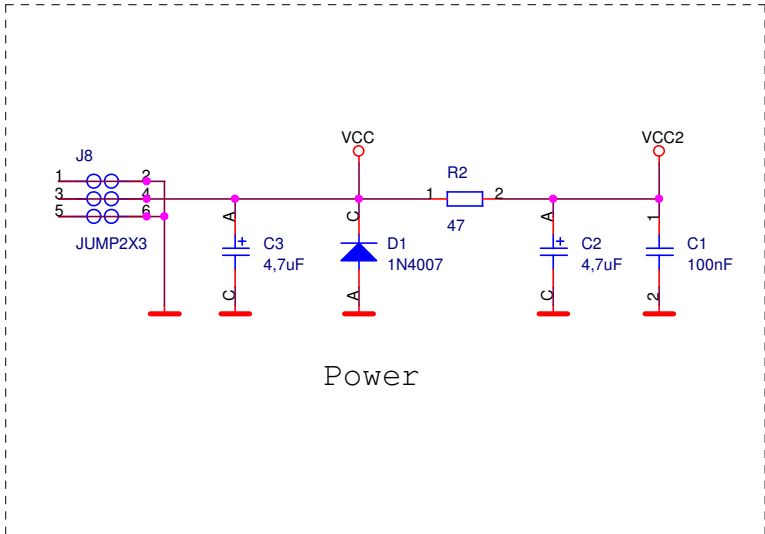


IrDA01A

History

0.00 New Schematic
1.00 Finished Schematic

Firma		MLAB		Author		KAKLIK	
Size	Project Name	Schematic Name		Rev			
A4	MLAB	IRDA01A		1.00			
Date:	Monday, July 30, 2007	Sheet		1		of 2	



Firma		MLAB		Author		KAKLIK	
Size	A4	Project Name	MLAB	Schematic Name	IRDA01A	Rev	1.00
Date:	Monday, July 30, 2007	Sheet	2	of	2		