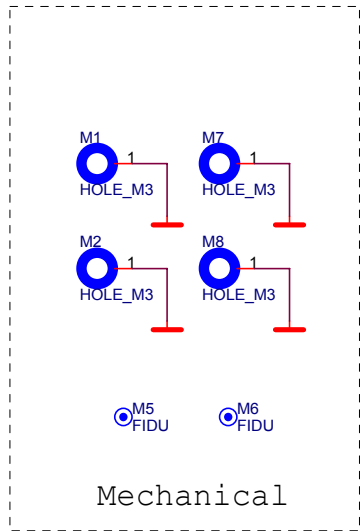
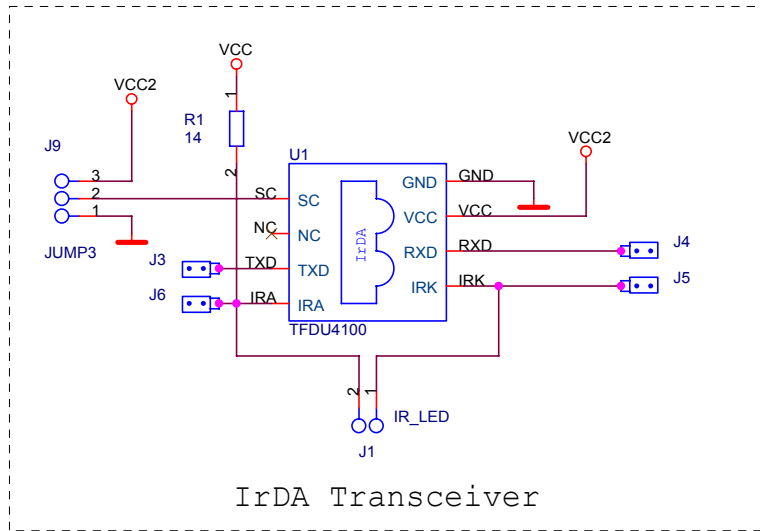
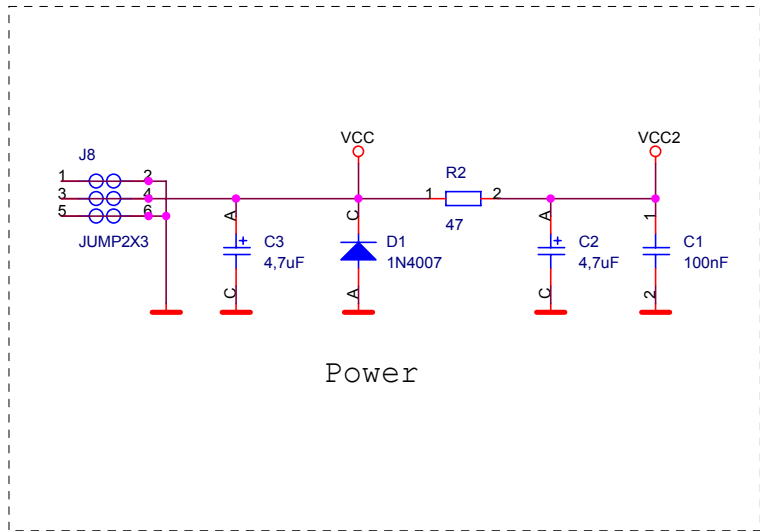


IrDA01A

History

0.00 New Schematic
1.00 Finished Schematic

Firma		MLAB		Author		KAKLIK	
Size	Project Name	Schematic Name		Rev			
A4	MLAB	IRDA01A		1.00			
Date: Tuesday, July 24, 2007		Sheet		1		of 2	
				2		1	



Firma		Author	
MLAB		KAKLIK	
Size	Project Name	Schematic Name	Rev
A4	MLAB	IRDA01A	1.00
Date:	Tuesday, July 24, 2007	Sheet	2 of 2
		1	