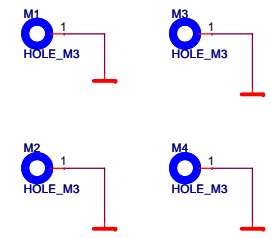
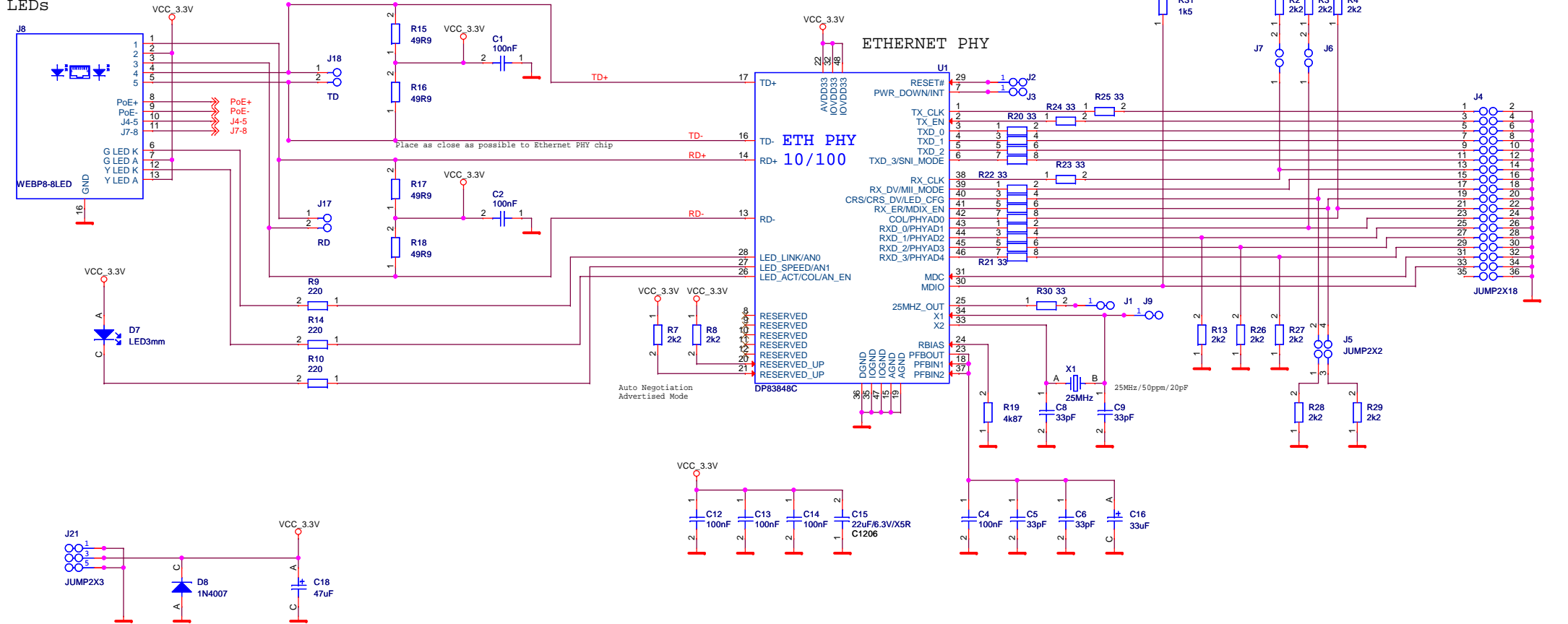
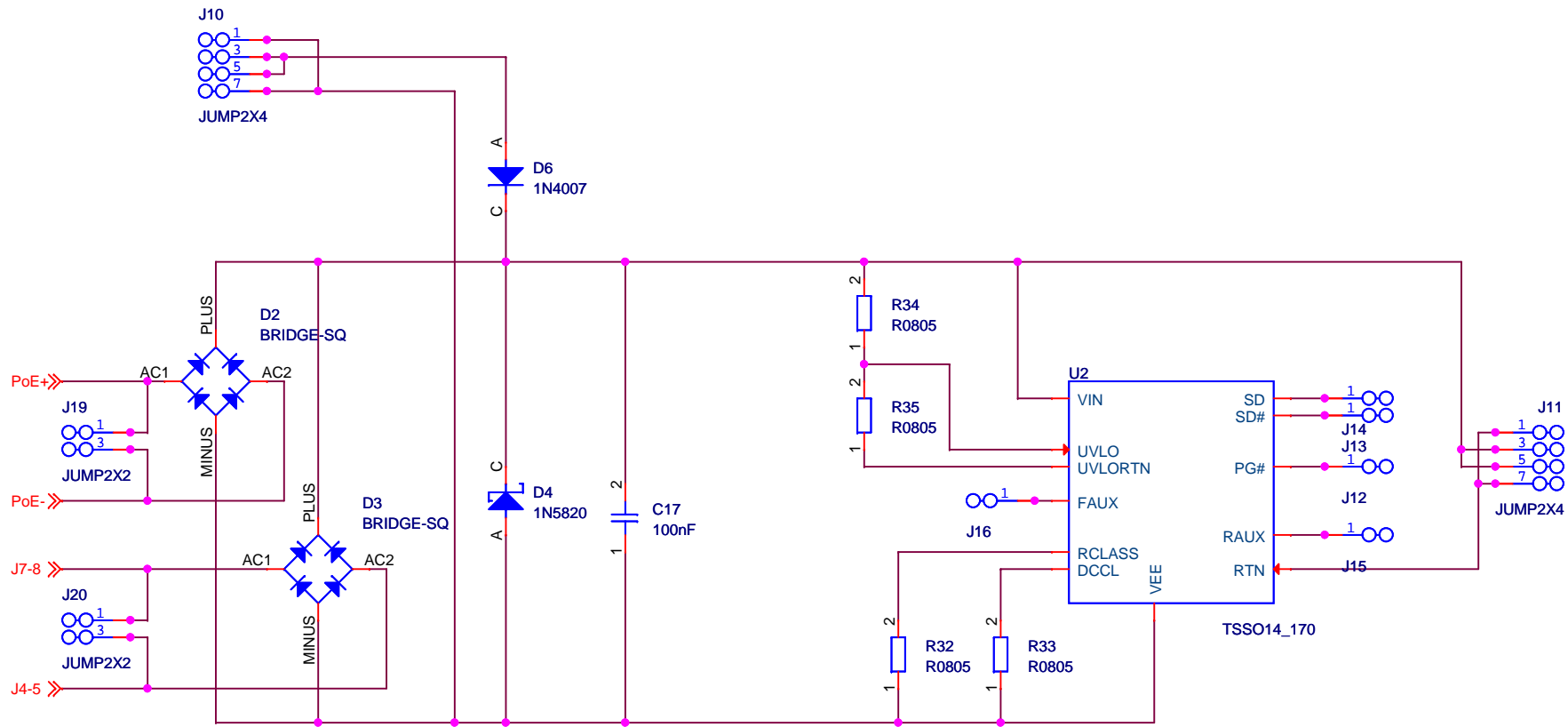


ETHERNET  
connector with  
magnetics and  
LEDs

ETHERNET Terminators



Firma		Author	
MLAB		KAKLIK	
Size	Project Name	Schematic Name	Rev
A3	ETHERNET	ETH01	A
Date:	Wednesday, February 16, 2011	Sheet	1 of 1



Firma		<b>MLAB</b>		Author		Kaklik	
Size	Project Name	Schematic Name		Rev			
A4	ETHERNET	POE		A			
Date:	Wednesday, February 16, 2011	Sheet	1	of	1		