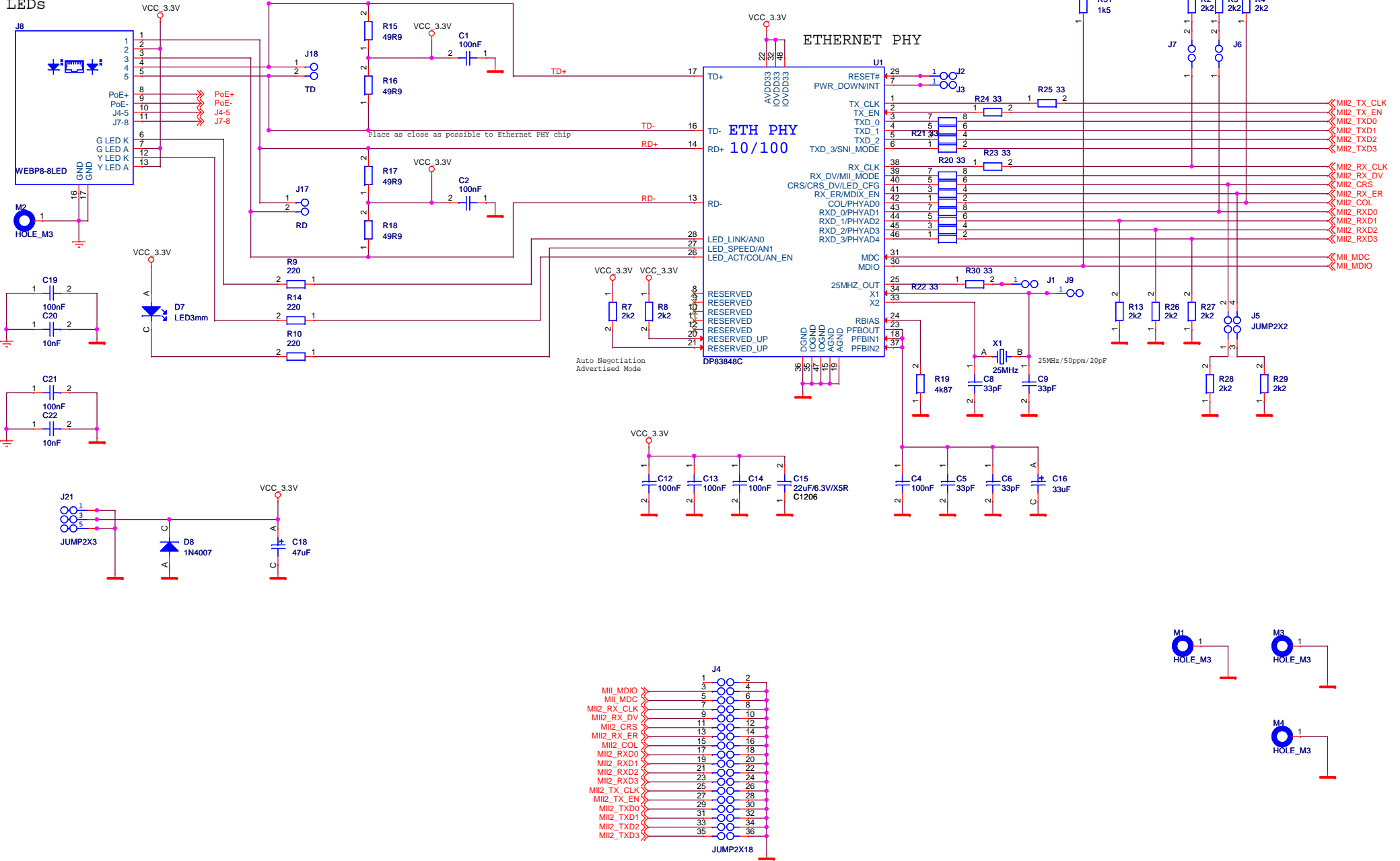
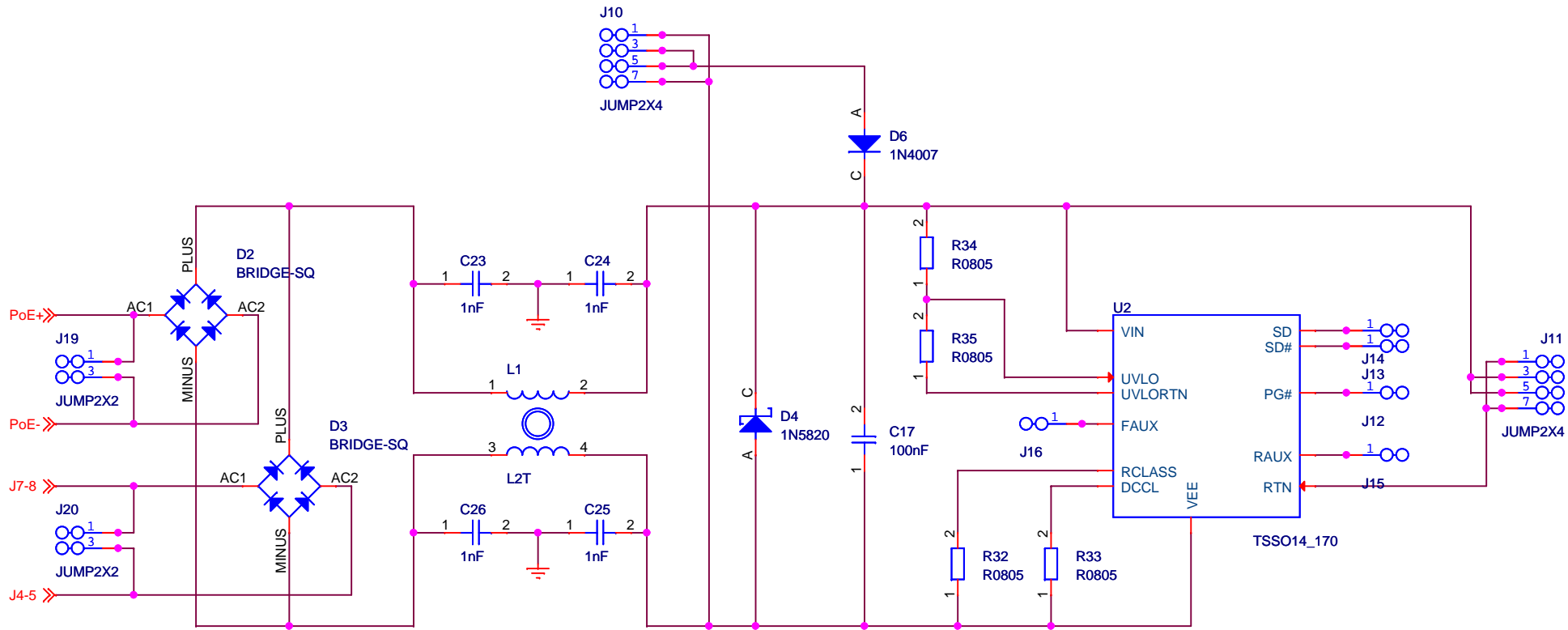


ETHERNET connector with magnetics and LEDs

ETHERNET Terminators



Firma MLAB		Author KAKLIK	
Size A3	Project Name ETHERNET	Schematic Name ETH01	Rev A
Date: Tuesday, February 22, 2011	Sheet	1	of 1



Firma		MLAB		Author		Kaklik	
Size	Project Name	Schematic Name		Rev			
A4	ETHERNET	POE		A			
Date:	Tuesday, February 22, 2011	Sheet	1	of	1		