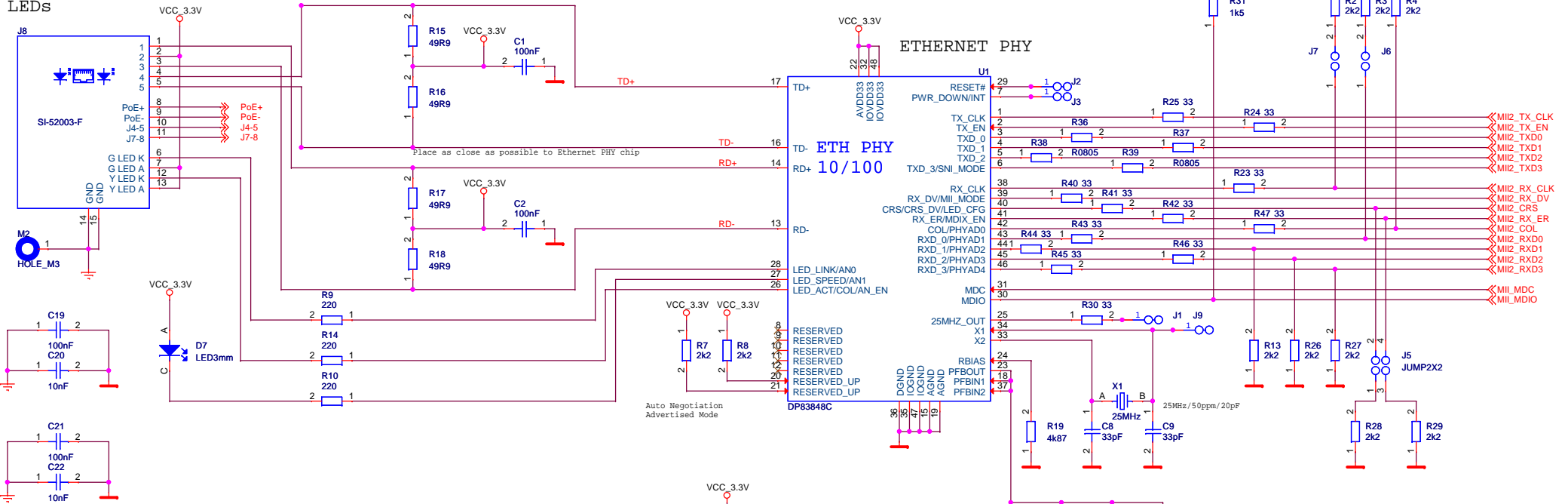
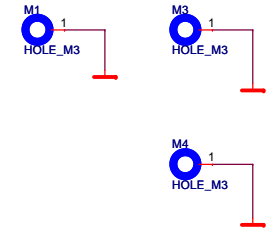
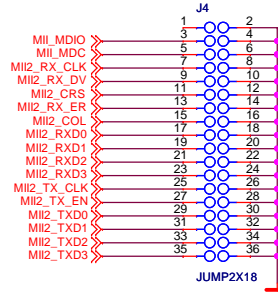
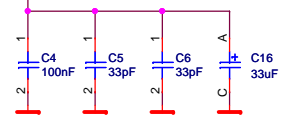
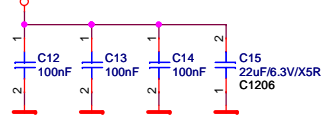
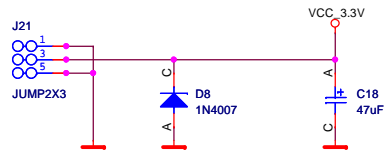


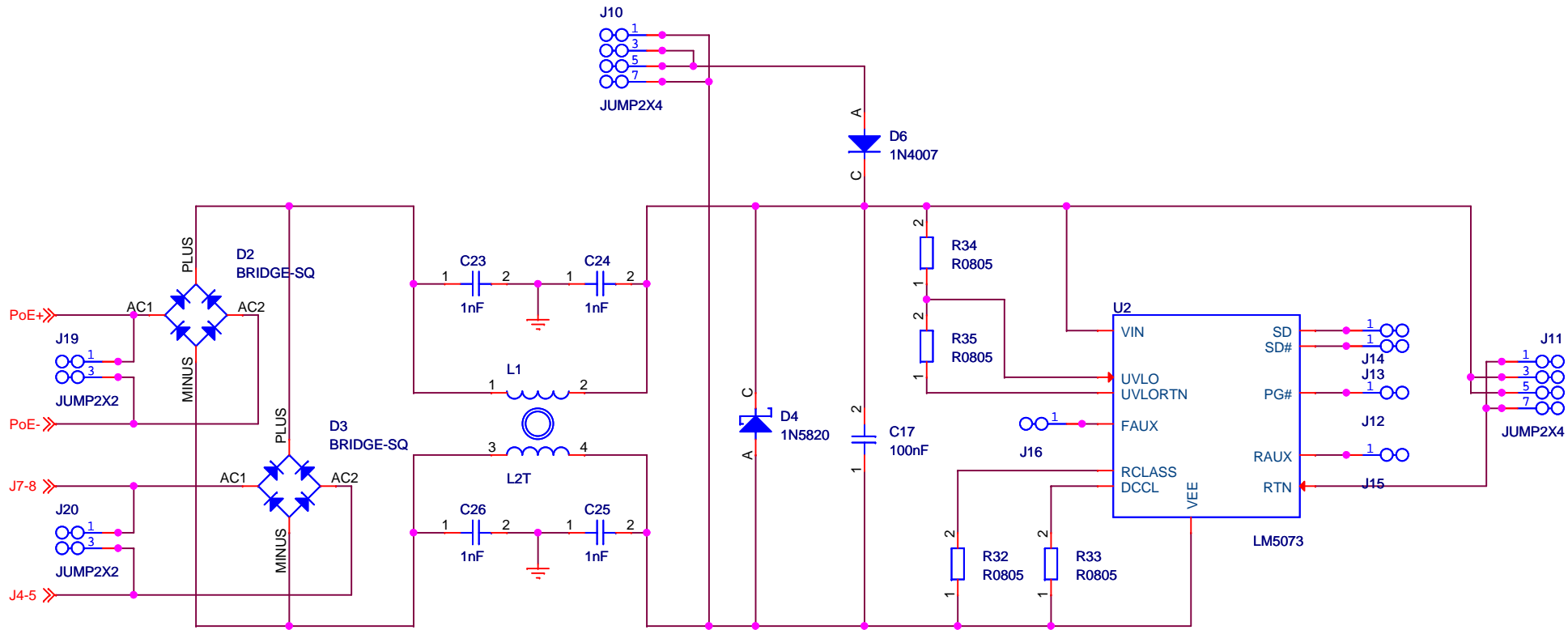
ETHERNET connector with magnetics and LEDs

ETHERNET Terminators





Firma		Author	
MLAB		KAKLIK	
Size	Project Name	Schematic Name	Rev
A3	ETHERNET	ETH01	A
Date:	Monday, July 01, 2013	Sheet	1 of 1



Firma		MLAB		Author	Kaklik
Size	A4	Project Name	ETHERNET	Schematic Name	POE
Date:	Monday, July 01, 2013	Sheet	1	of	1
Rev	A				