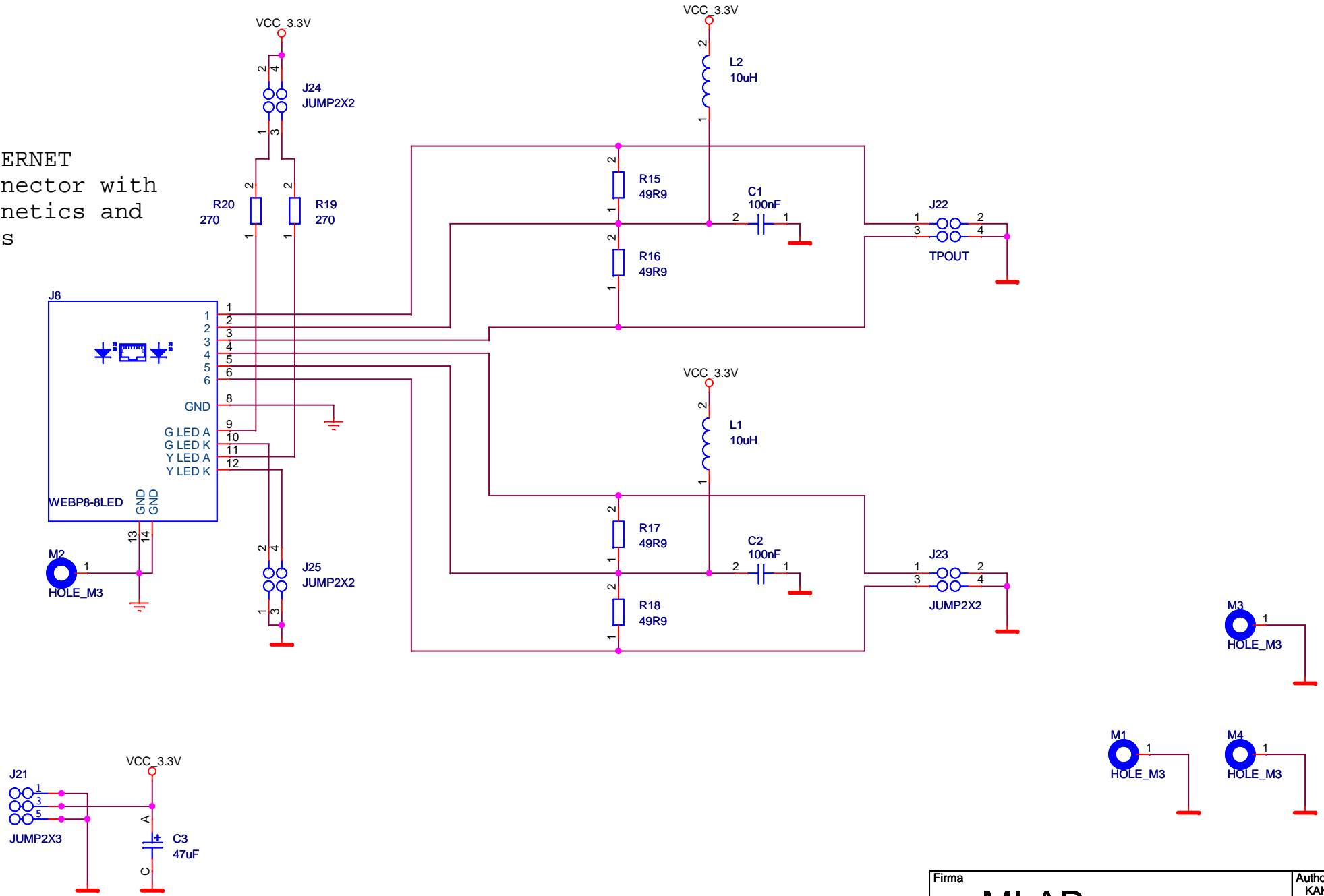


ETHERNET
connector with
magnetics and
LEDs



Firma		Author	
MLAB		KAKLIK	
Size	Project Name	Schematic Name	Rev
A4	ETHERNET	ETH02	A
Date:	Monday, March 07, 2011	Sheet	1 of 1