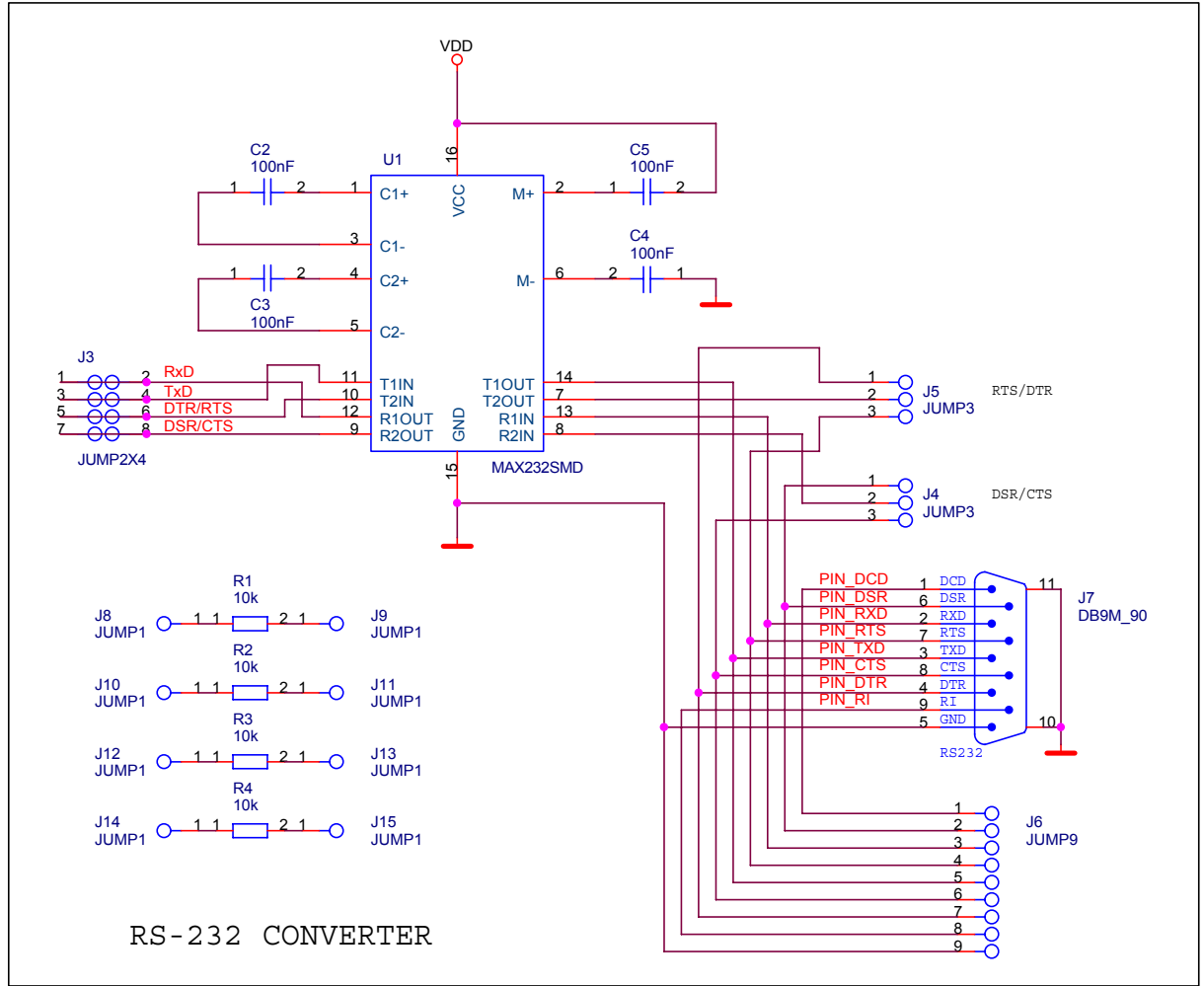
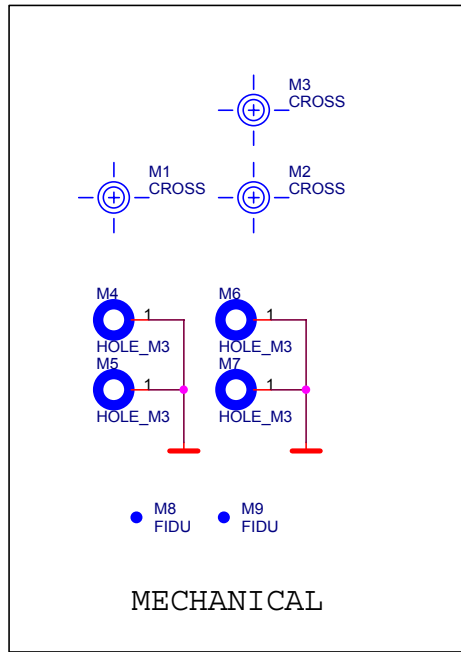
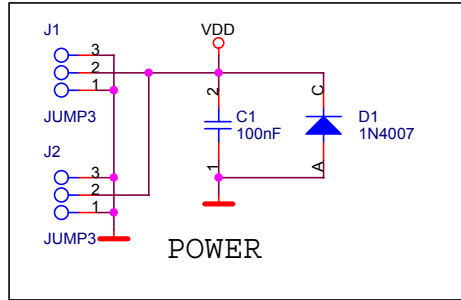


RS23201A

History

1.00 First official version based on work done by PEFI

Firma		MLAB		Author PEFI, MIHO	
Size A4	Project Name MLAB	Schematic Name RS23201A	Rev 1.00		
Date: Tuesday, September 20, 2005		Sheet 1 of 2			



Firma		MLAB		Author	PEFI, MIHO
Size	Project Name	Schematic Name	Rev		
A4	MLAB	RS23201A	1.00		
Date:	Tuesday, September 20, 2005	Sheet	2	of	2