

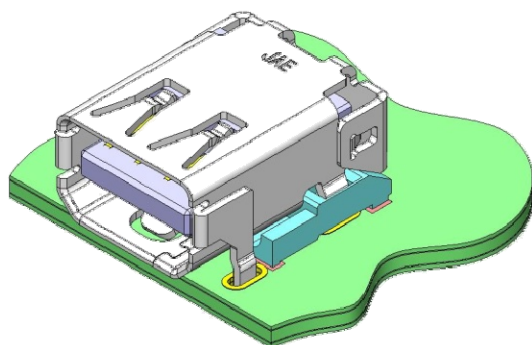
**NEW**



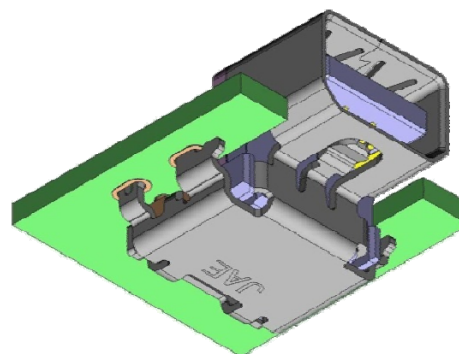
## Thunderbolt Compatible Connector DP3 Series

CONNECTOR  
MB-0248-1  
June 2012

**RoHS Compliant**



On-board Standard



Reverse Sunk-into-the-board

The DP3 Series has been developed as an I/O connector compatible with Thunderbolt™ Technology for high-speed transmission between PCs and peripheral devices.

\*Thunderbolt is a trademark of Intel in the US and other countries.

### Features

- 10Gbps high-speed transmission connector for Thunderbolt.
- Available in standard and reverse mounting, sunk-into-the-board type is also available.
- Enhanced board mounting strength with through-hole hold-downs on the metal shell.
- Friction lock with the metal shell enhances cable plug retention strength and creates a clear click feeling when mated.
- Connector is supplied in embossed reel.

### General Information

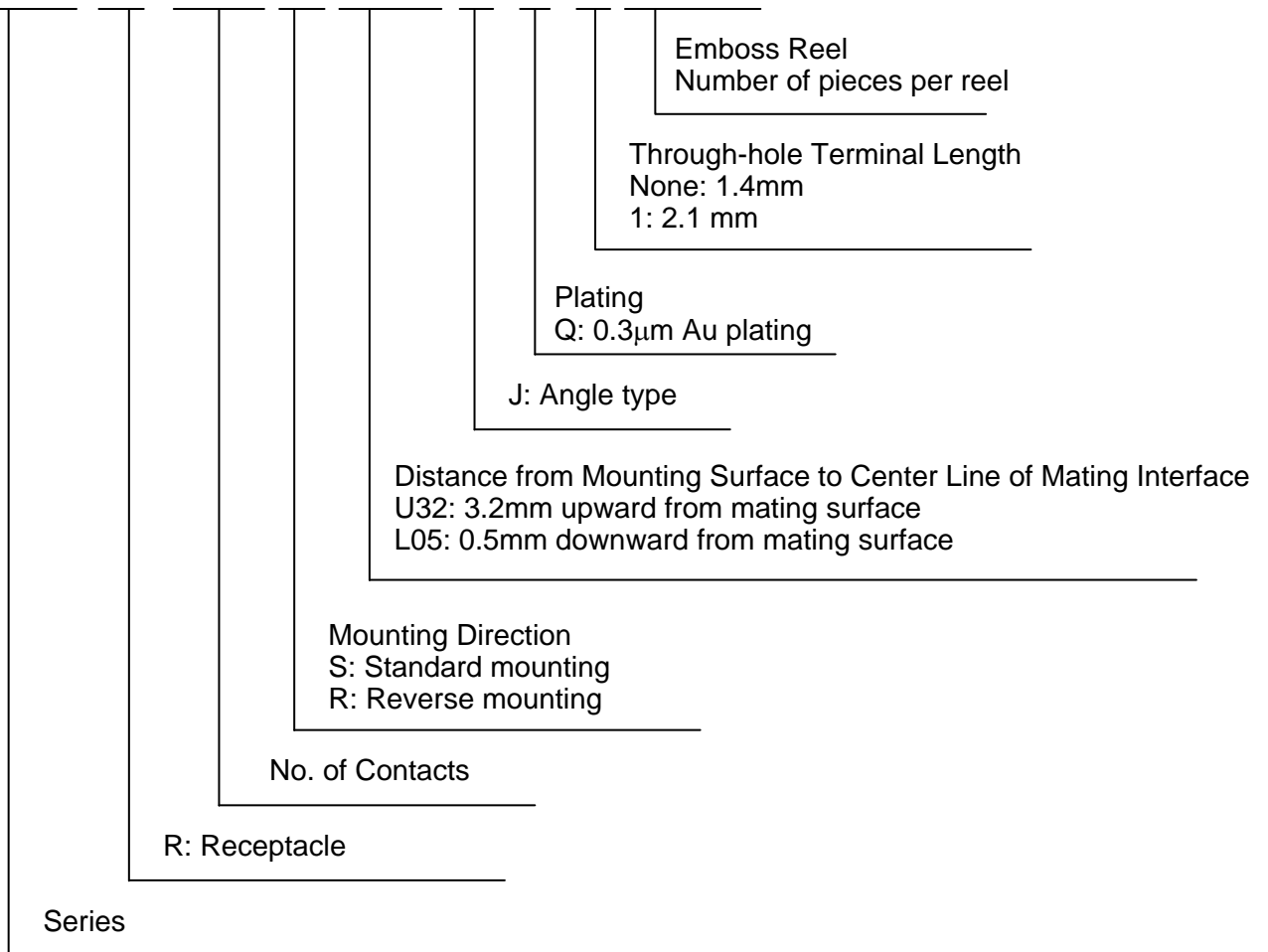
- |  |                                    |
|--|------------------------------------|
| ■ No. of Contacts: 20  | ■ Rated Current: 0.5A (signal pin) |
| ■ Contact Resistance: 100m Ω max.                              | ■ Insulation Resistance: 10MΩ min. |
| ■ Dielectric Withstanding Voltage:<br>AC300Vr.m.s per 1 minute | ■ Durability: 10,000 mating cycles |
| ■ Operating Temperature:<br>-20 Deg. C to +85 Deg. C           |                                    |

Materials / Finishes

Component	Material / Finish
Contact	Copper alloy / 0.3 $\mu$ Au plating over Ni (contact area) Sn plating over Ni (terminal area)
Housing	Glass filled LCP / None
Shell	Stainless steel / Ni

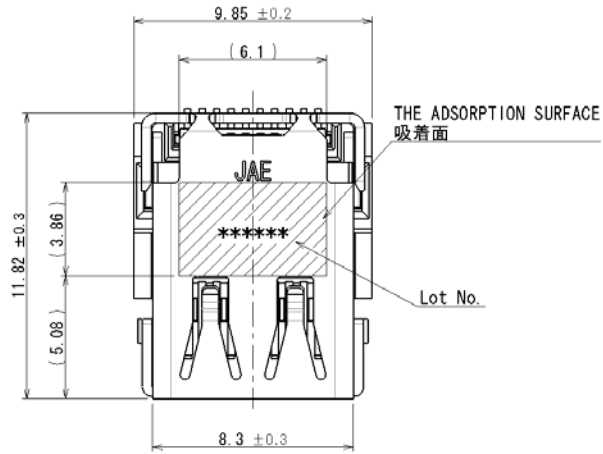
Ordering Information

DP3 R 020 S U32 J Q 1 R\*\*\*\*

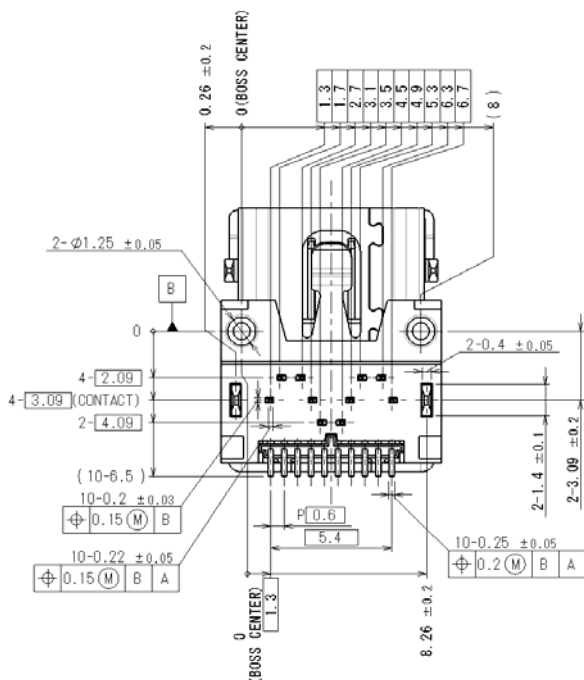
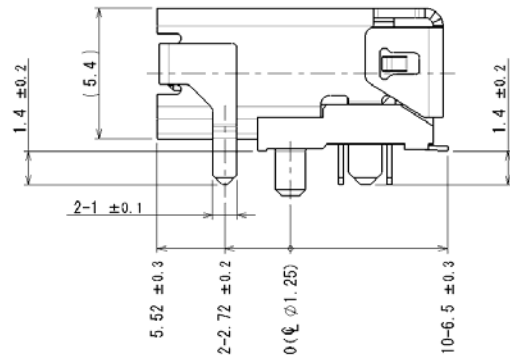
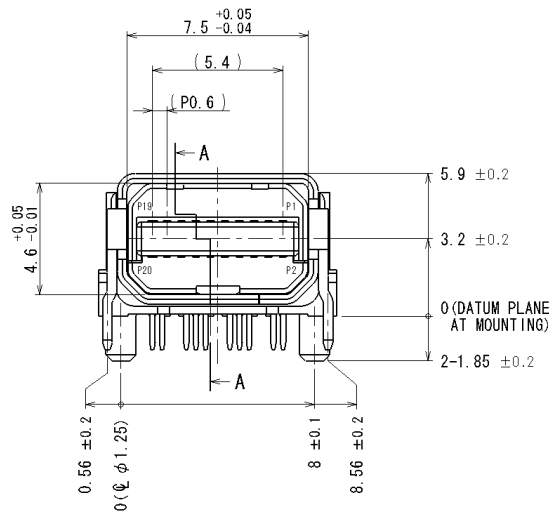


Part Number	SJ Drawing No.
DP3R020SU32JQ (Individual Connector)	SJ112287
DP3R020SU32JQR400 (Embossed Reel)	SJ112331

On-board  
Standard Type

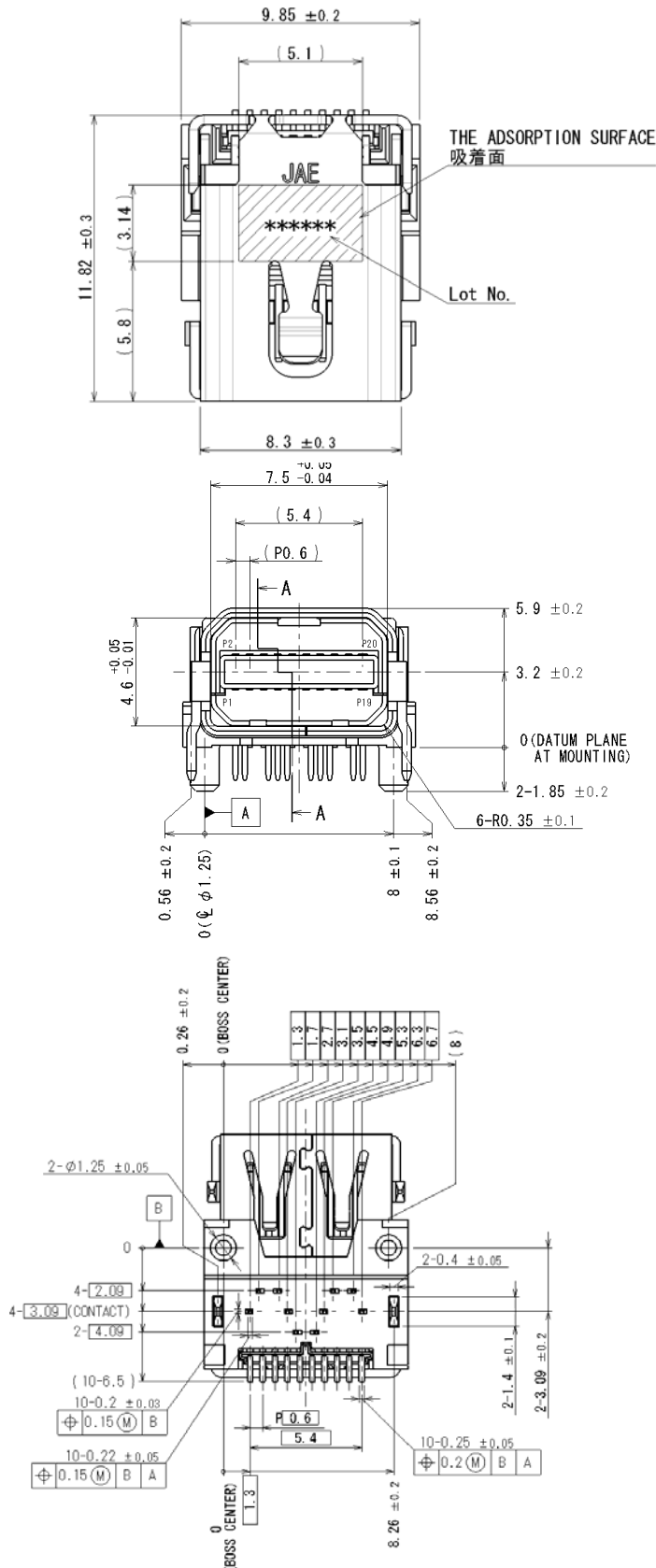


Unit: mm

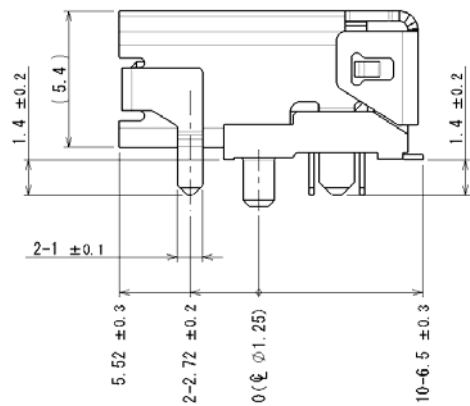


Part Number	SJ Drawing No.
DP3R020RU32JQ (Individual Connector)	SJ112289
DP3R020RU32JQR400 (Embossed Reel)	SJ112333

On-board  
Reverse Type

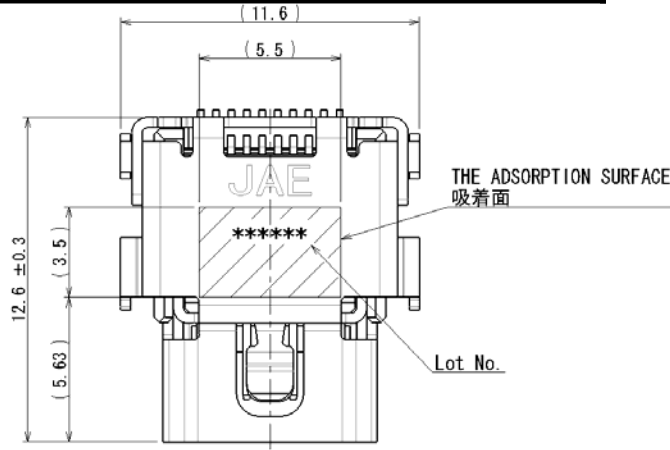


Unit: mm

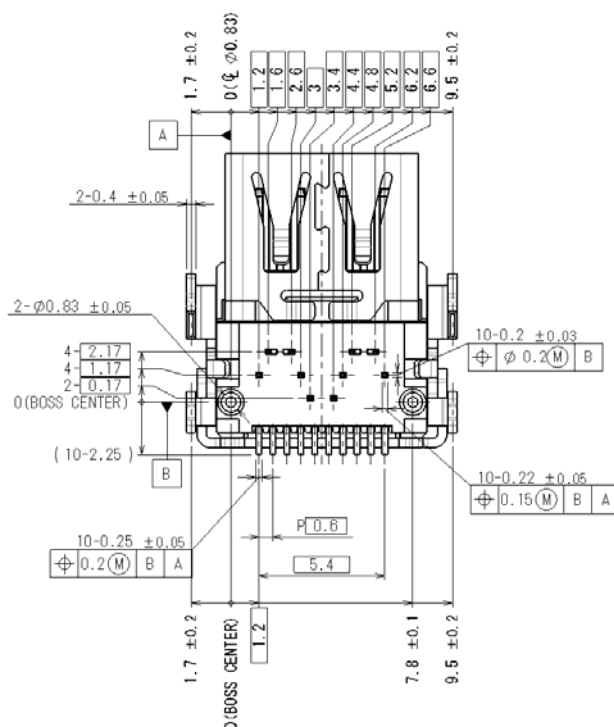
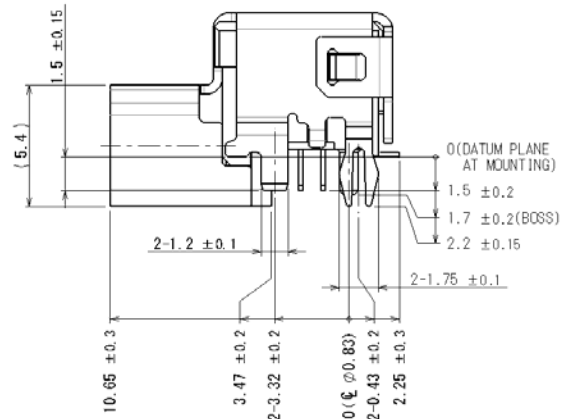
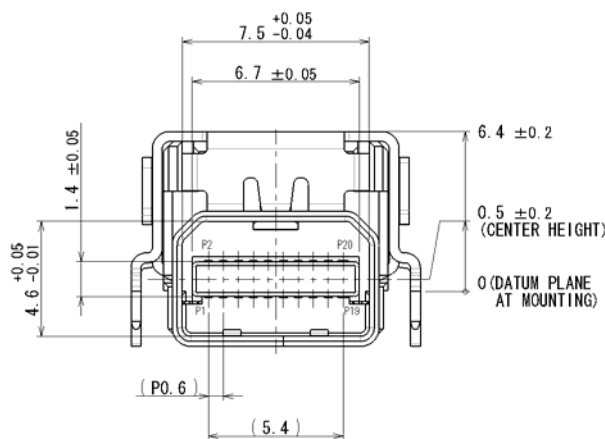


Part Number	SJ Drawing No.
DP3RB20RU05JQ (Individual Connector)	SJ112304
DP3RB20RU05JQR400 (Embossed Reel)	SJ112336

Sunk-into-the-board  
Reverse Type



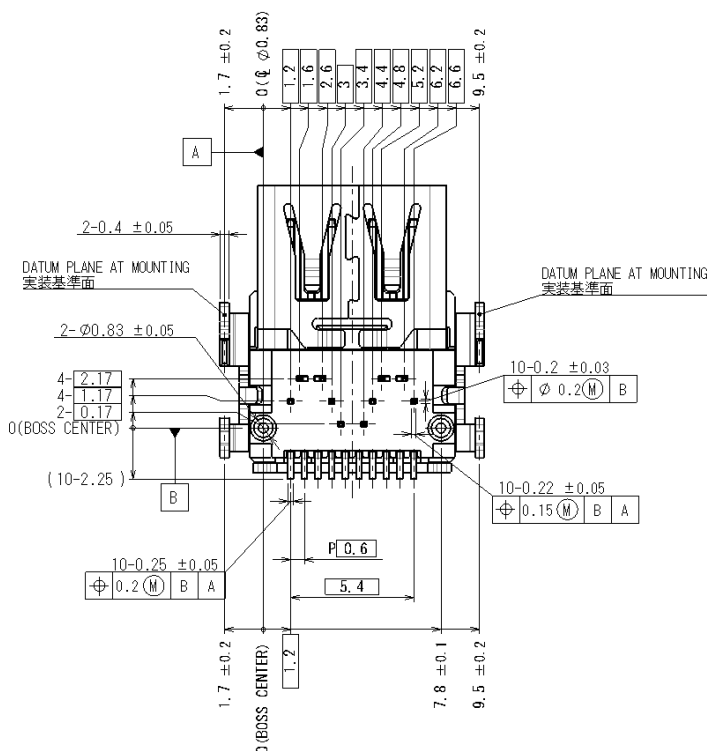
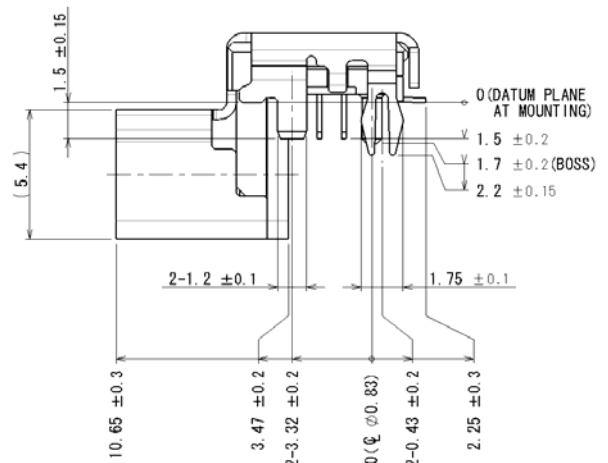
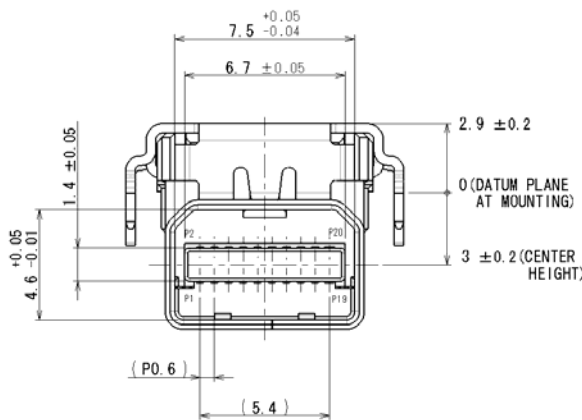
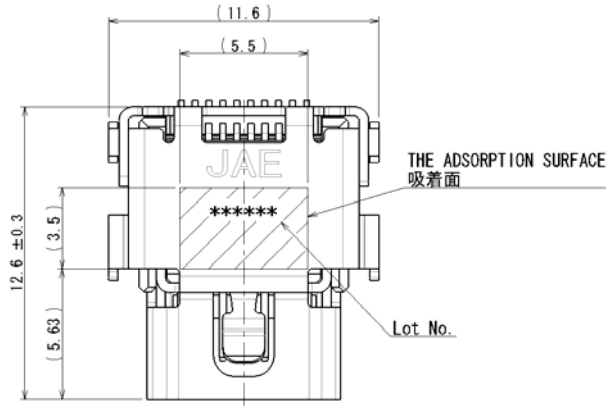
Unit: mm



Part Number	SJ Drawing No.
DP3R020RL30JQ (Individual Connector)	SJ112303
DP3R020RL30JQR400 (Embossed Reel)	SJ112335

Sunk-into-the-board  
Reverse Type

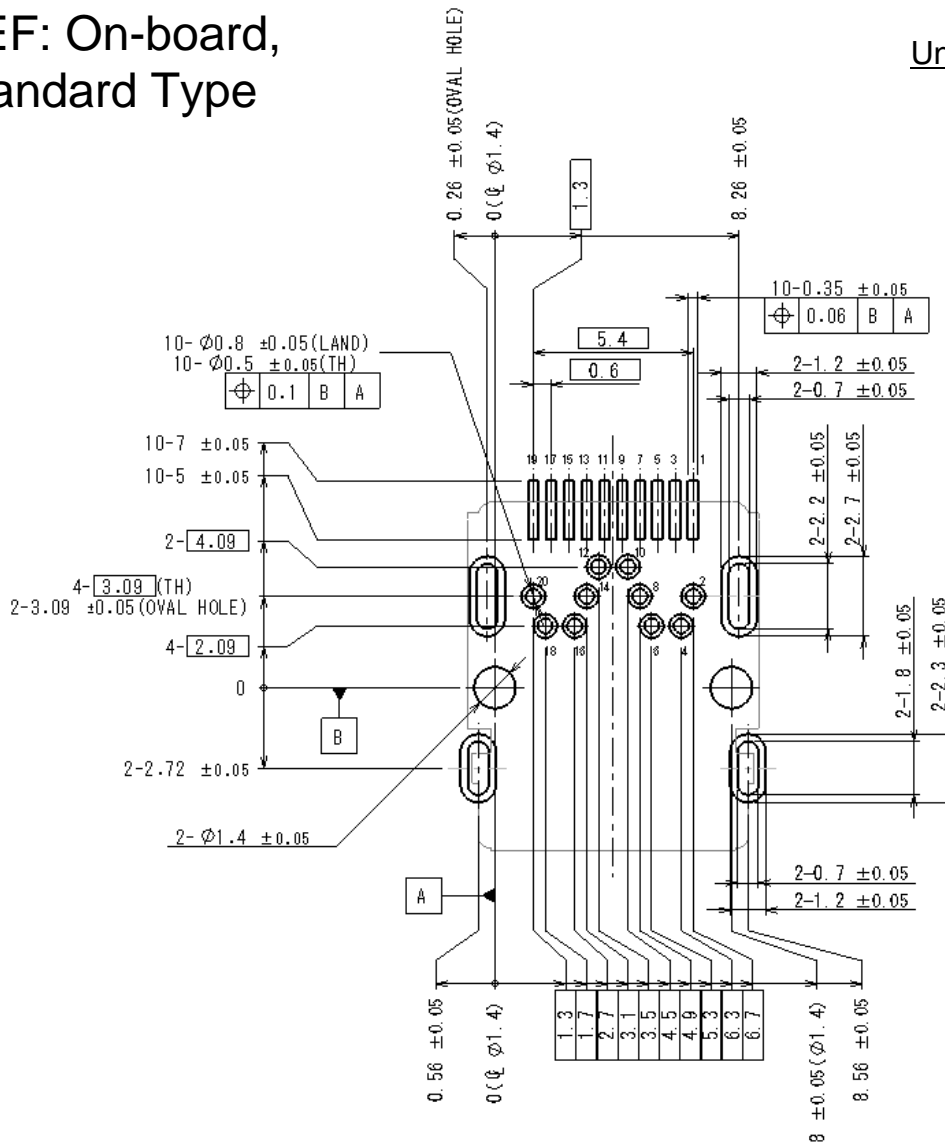
Unit: mm



# Applicable Dimensions of Board

REF: On-board,  
Standard Type

Unit: mm



APPLICABLE P.C.B DIMENSION (REF.)  
適合基板寸法 (参考)

\* Please refer to SJ drawing when considering use of this product.

## Japan Aviation Electronics Industry, Limited

Product Marketing Division  
Aobadai Building, 3-1-19, Aobadai, Meguro-ku, Tokyo 153-8539  
Phone: +81-3-3780-2787 FAX: +81-3-3780-2946

**Notice:** Products shown in this brochure are made for the applications listed below. However, if the above-mentioned products are to be used in aerospace devices, marine cable-connection devices, atomic power control systems, medical equipment for life-support systems, or any other specific application requiring extremely high reliability, please contact JAE for further information.  
Recommended applications: Computers, Office machines, Measuring devices, Telecommunication devices (Terminals, Mobile devices), AV devices, Household applications, FA devices, etc.

\* The specifications in this brochure are subject to change without notice. Please contact JAE for information.