

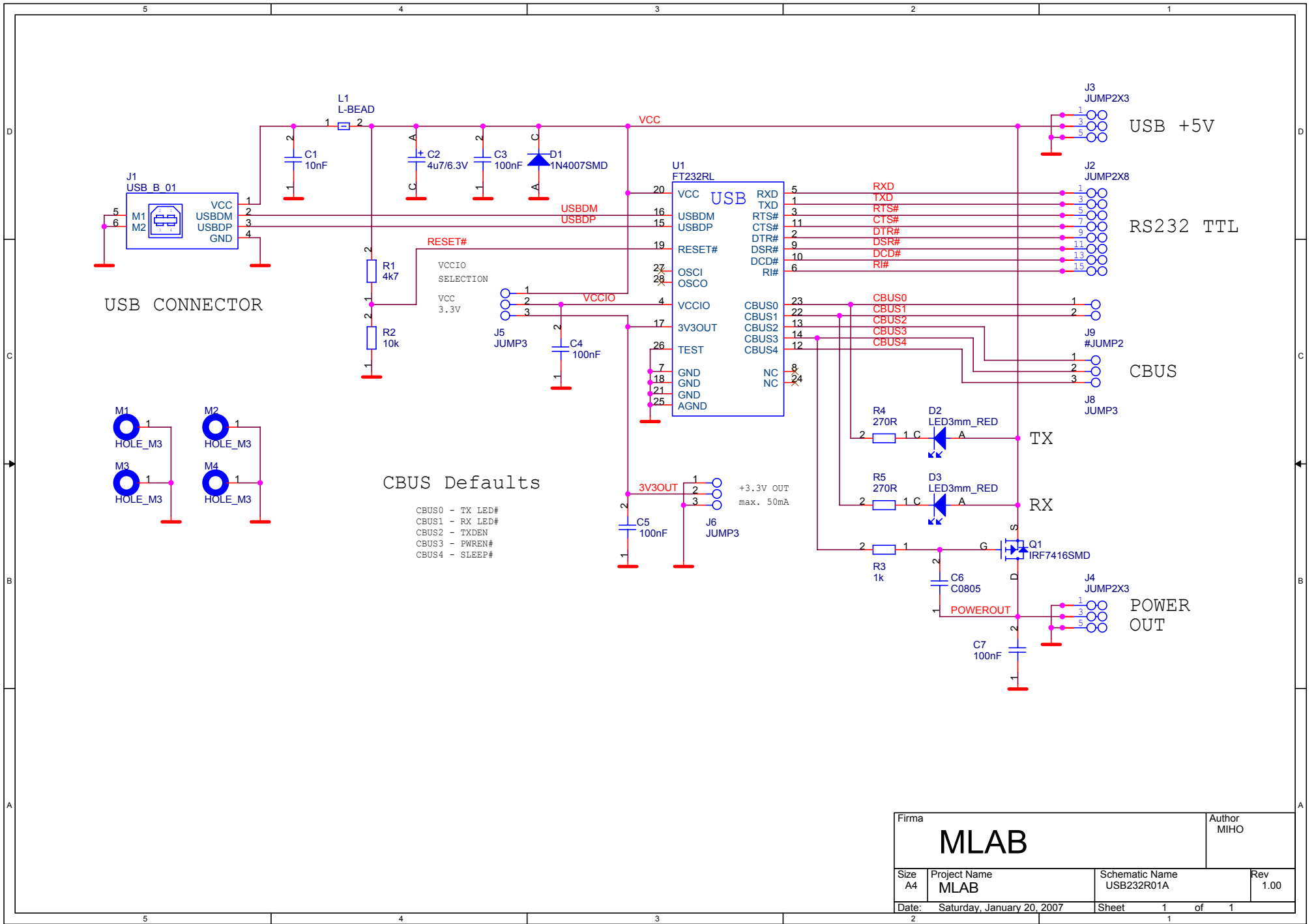
# USB232R01A

USB - RS232 Convertor  
Uses FTDI FT232R Chip

## HISTORY

1.00 New Module

|                                  |              |                |  |        |  |      |  |
|----------------------------------|--------------|----------------|--|--------|--|------|--|
| Firma                            |              | <b>MLAB</b>    |  | Author |  | MIHO |  |
| Size                             | Project Name | Schematic Name |  | Rev    |  |      |  |
| A4                               | MLAB         | USB232R01A     |  | 1.00   |  |      |  |
| Date: Saturday, January 20, 2007 |              | Sheet          |  | 1      |  | of 1 |  |
|                                  |              | 2              |  |        |  | 1    |  |



|                                  |              |                |        |
|----------------------------------|--------------|----------------|--------|
| Firma                            |              | Author         |        |
| MLAB                             |              | MIHO           |        |
| Size                             | Project Name | Schematic Name | Rev    |
| A4                               | MLAB         | USB232R01A     | 1.00   |
| Date: Saturday, January 20, 2007 |              | Sheet          | 1 of 1 |
| 2                                |              | 1              |        |