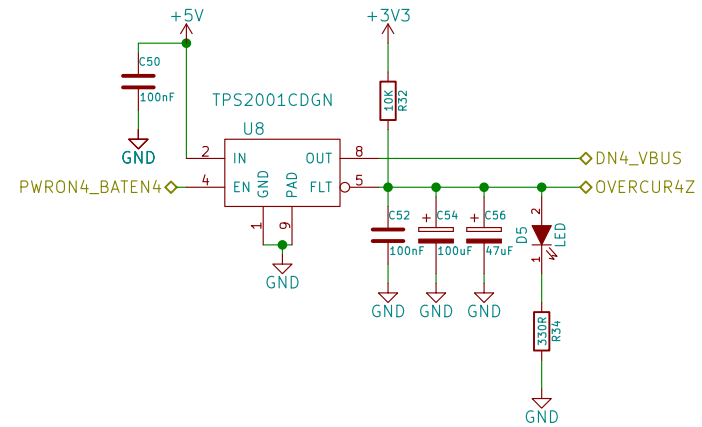
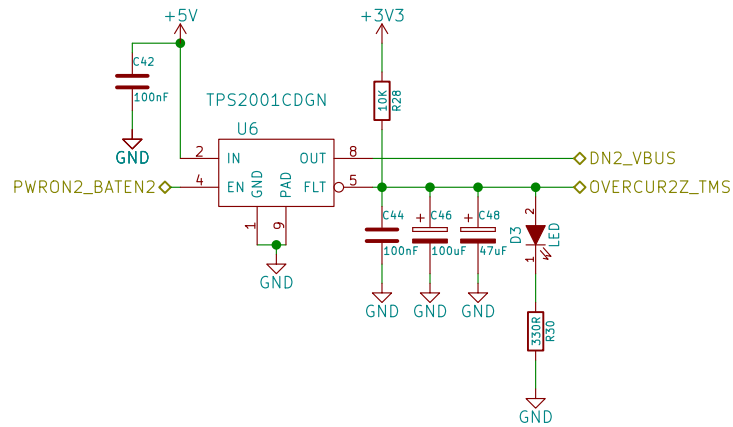
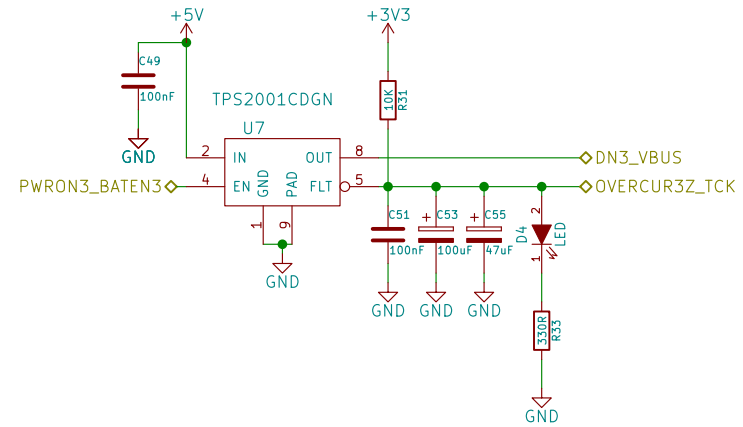
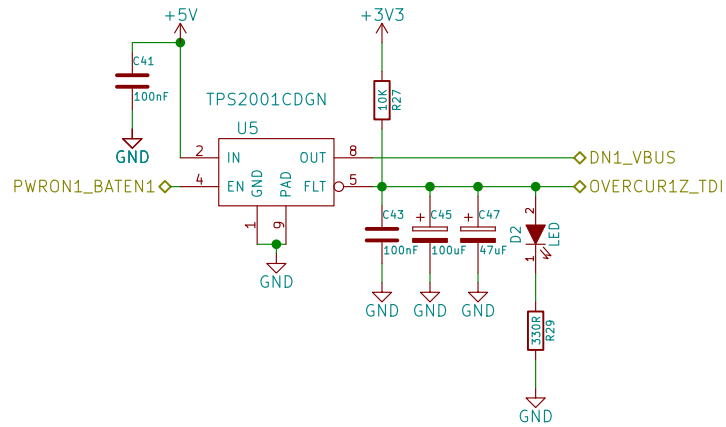


Sheet: /POWER/
File: power.sch

Title:

Size: A4 Date:
KiCad E.D.A. kicad (2015-05-13 BZR 5653)-product

Rev:
Id: 2/4



Sheet: /DOWNSTREAM PORT POWER SWITCHES/
 File: downstream.sch

Title:

Size: A4 Date:
 KiCad E.D.A. kicad (2015-05-13 BZR 5653)-product

Rev:
 Id: 3/4

