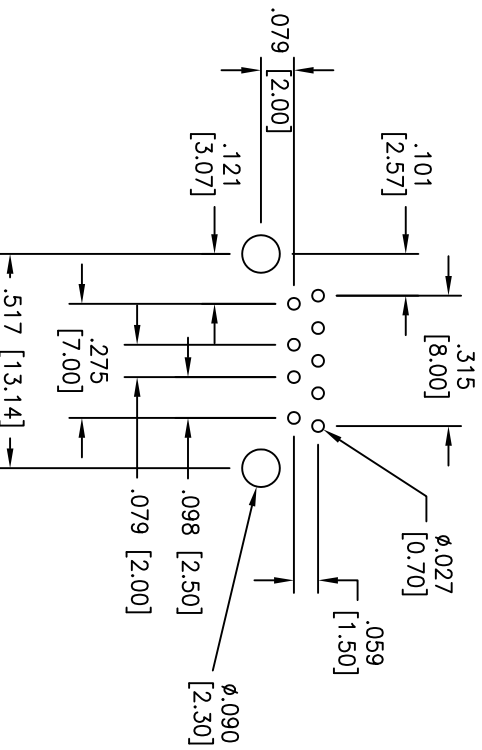
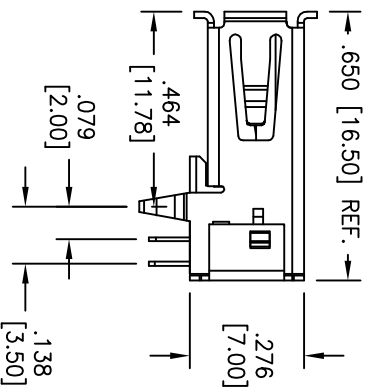
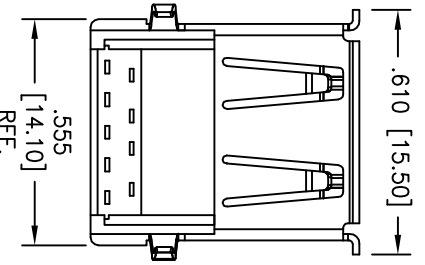
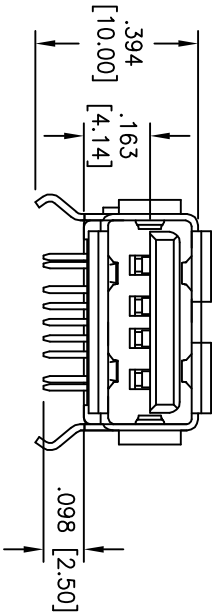


Rev	AWO #	Description	Date	Appr
-		RELEASED	12/18/09	

APPROVED: _____
 DATE: _____ TITLE: _____



RECOMMENDED PCB LAYOUT

SPECIFICATIONS:

- Material: Insulator: PBT, glass reinforced, rated UL 94V-0
- Insulator color: Blue
- Contacts: Copper Alloy
- Shell: Copper Alloy, Nickel plated
- Plating: Gold over Nickel underplate on contact area, Tin over Copper underplate on solder tails.
- Electrical: Current rating: 1.8 A AC/DC
- Contact resistance: 30 mohms max. initial for VBUS and GND contact
- Insulation resistance: 100 Mohms min.
- Dielectric strength: 100 Volts AC(RMS)
- Temperature Rating: Operating temperature: -40°C to +85°C
- Environmental: Lead free, RoHS compliant.



ADAM TECH

909 Railway Avenue, Union, NJ 07083
 Phone: 908-687-5000 Fax: 908-687-5710

UNIVERSAL SERIAL BUS, TYPE A
 FEMALE, RIGHT ANGLE, DIP TYPE

UNLESS OTHERWISE SPECIFIED ALL DIMENSIONS ARE MM TOLERANCES: EXCEPT AS NOTED INCHES	
X ± .10	ØX ± .10
.XX ± .020	ØXX ± .015
.XXX ± .015	ØXXX ± .010
APPROVALS	DATE
DRAWN	DY
CHECKED	
APPROVED	

TITLE		PART NO.		REV.
UNIVERSAL SERIAL BUS, TYPE A		USB-A3-S-RA		-
FEMALE, RIGHT ANGLE, DIP TYPE		SCALE:	NTS	SHEET 1 OF 1
REF:	S00013T			