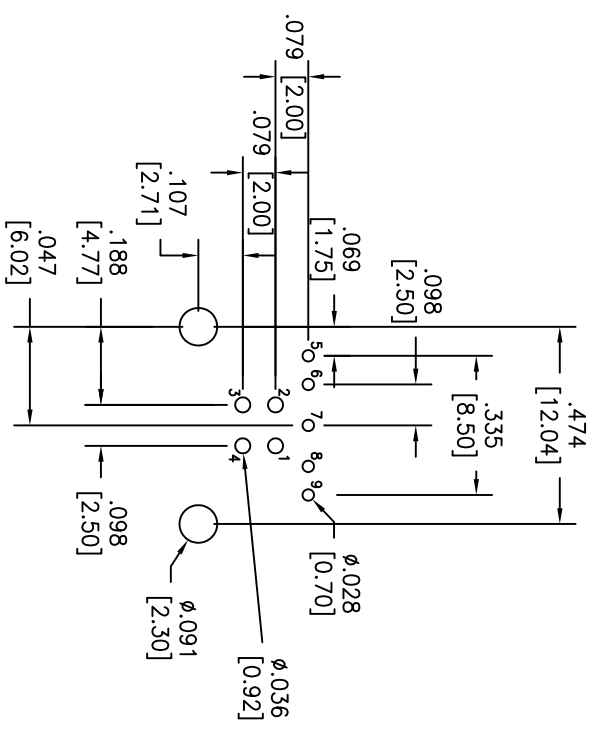
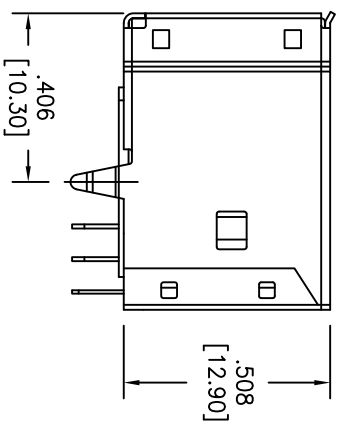
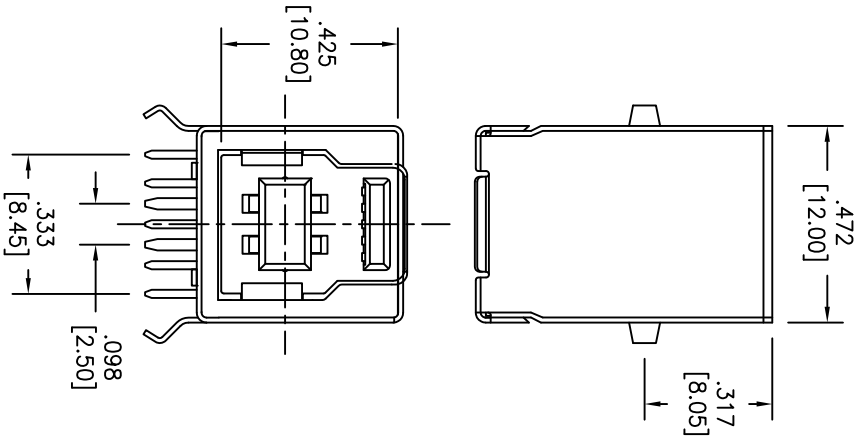


Rev	AWQ #	Description	Date	Appr
-		RELEASED	12/18/09	

APPROVED: _____ TITLE: _____
 DATE: _____



RECOMMENDED PCB LAYOUT

SPECIFICATIONS:

- Material:** Insulator: PBT, glass reinforced, rated UL 94V-0
- Insulator color:** Blue
- Contacts:** Phosphor Bronze
- Shell:** Brass, nickel plated
- Plating:** Gold over Nickel underplate on contact area, Tin over Copper underplate on solder tails.
- Electrical:** Current rating: 1.8 A AC/DC
 Contact resistance: 30 mohms max.
 Insulation resistance: 100 Mohms min.
 Temperature Rating: Operating temperature: -40°C to +85°C
- Environmental:** Lead free, RoHS compliant.

UNLESS OTHERWISE SPECIFIED ALL DIMENSIONS ARE MM TOLERANCES: EXCEPT AS NOTED	
INCHES	HOLES
X ± .10	Ø X ± .10
.XX ± .020	Ø.XXX ± .015
.XXX ± .015	Ø.XXX ± .010
APPROVALS	DATE
DRAWN	DY
CHECKED	12/18/09
APPROVED	

ADAM TECH
 909 Railway Avenue, Union, NJ 07083
 Phone: 908-687-5000 Fax: 908-687-5710

TITLE: UNIVERSAL SERIAL BUS, TYPE B FEMALE, RIGHT ANGLE, DIP TYPE

SIZE	PART NO.	REV.
X	USB-B3-S-RA	-
REF: S00106T	SCALE: NTS	SHEET 1 OF 1

