

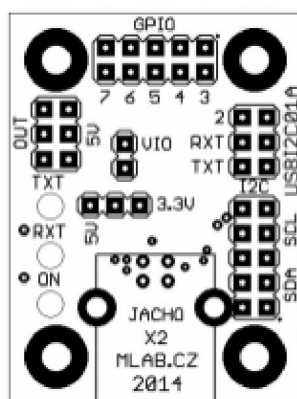
USBI2C01A

MILAB

USBHID TO I2C/TWI

Jan Chroust

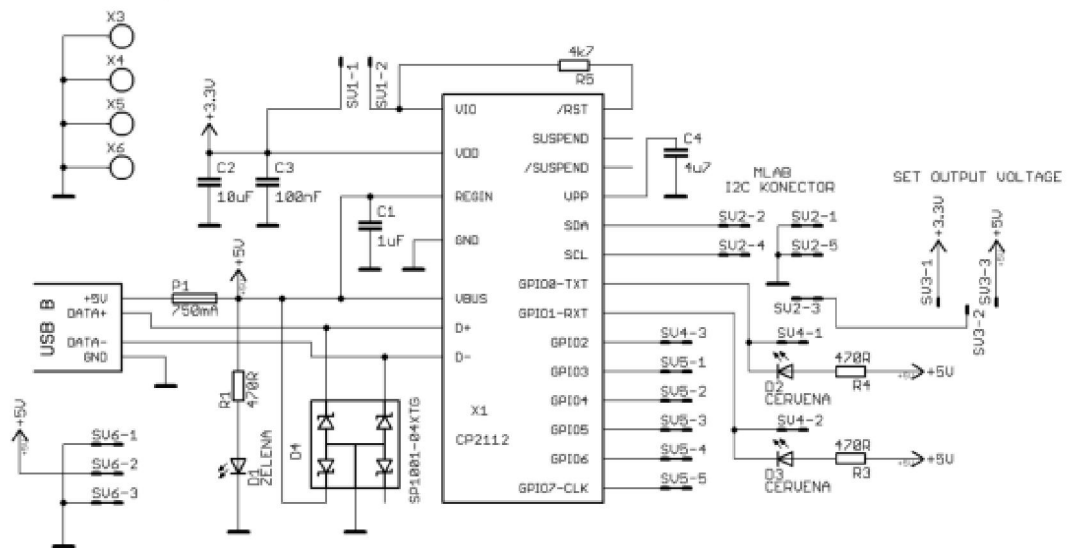
The conversion from USB to I2C.



Technical Parameters

<u>Parameter</u>	<u>Value</u>	<u>Description</u>
<i>Interface</i>	USBHID 2.0	Full Speed (12Mb/s)
<i>Connector</i>	USB B	Full Size USB B Female
<i>Power Consumption</i>	56mA Minimum	500mA Maximum
<i>Signals</i>	Serial	Serial & Digital
<i>Flow Control</i>	N/A	N/A
<i>Sleep</i>	130µA	
<i>Power Management PC</i>	N/A	N/A
<i>Board Dimensions</i>	51x31x18mm	

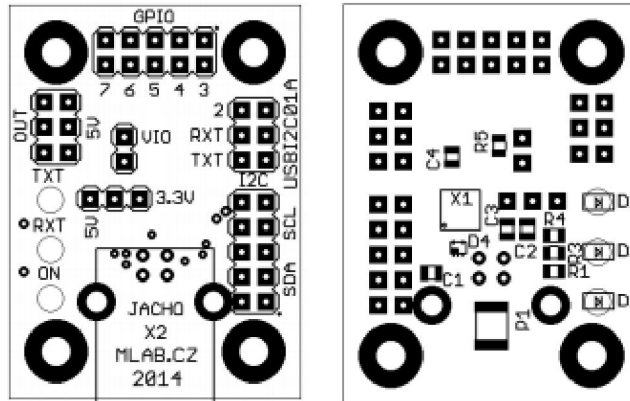
PCB Overview & Parts List



Parts List

<i>Components</i>	<i>Values</i>	<i>Package</i>
C1	1 μ F	0805
C2	10 μ F	0805
C3	100 μ F	0805
C4	4.7 μ F	0805
R1 , R3 , R4	470R	0805
R5	4K7	0805
D1	LED On	1206
D2 , D3	LED Transmission	1206
D4	SP1001-04XTG	SOT553
P1	750mA	1812
X1	CP2112	QFN24
X2		USB-B
SV1	Jumper	1Row 2Pins
SV2 , SV5	Jumper	2Rows 5Pins
SV3	Jumper	1Row 3Pins
SV4 , SV6	Jumper	2Rows 3Pins

Silkscreen & Component Layout



Customisation & Configuration

Silabs CP2112 provides OTP to specify unique Vendor & Product information. End user can configure GPIO , Power Management & other programmable settings.

Refer to manufacturers Datasheets & Application Notes.

Reference Materials

CP210x-CP211x-Overview-Technical.pdf

Datasheets

CP2112.pdf – SINGLE CHIP HID USB TO SMBUS MASTER BRIDGE

AN495.pdf - CP2112 INTERFACE SPECIFICATION

AN496.pdf - HID USB-TO-SMBUS API SPECIFICATION

AN721.pdf - CP21XX DEVICE CUSTOMIZATION GUIDE

[Http://www.silabs.com](http://www.silabs.com)