

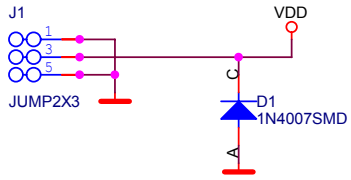
MPC17511HB01A

H-Bridge with Freescale MPC17511A Chip
2-6.8V, 1A (max 3A peek)

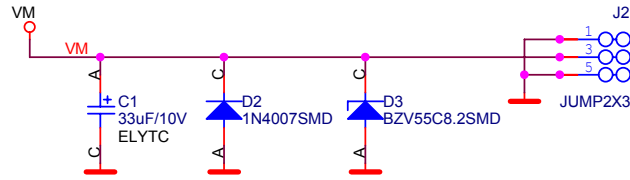
1.00 First Version

Firma		MLAB		Author	
				MIHO	
Size	Project Name	Schematic Name	Rev		
A4	MLAB	MPC17511HB01A	0.00		
Date:	Sunday, November 25, 2007	Sheet	1	of	2
			2		1

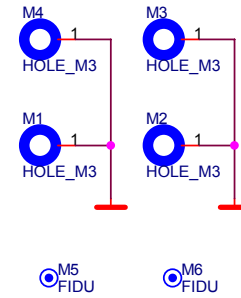
Interface Power
2.7 .. 5.7V



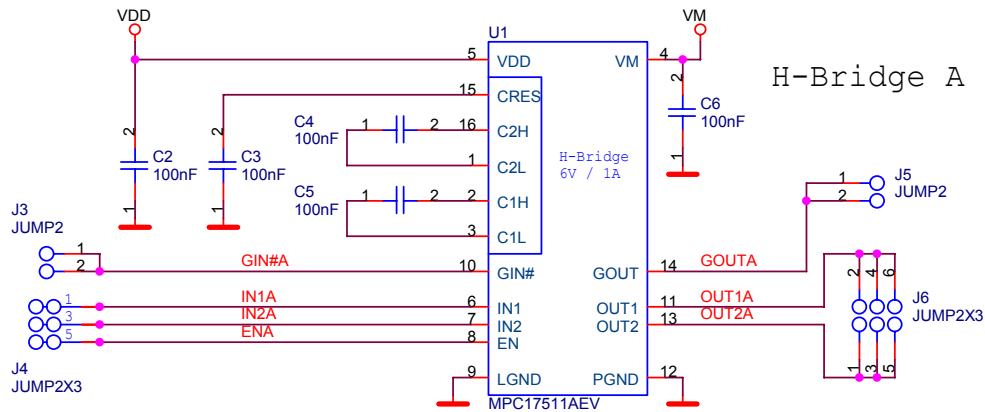
Motor Power
2.0 .. 6.8V



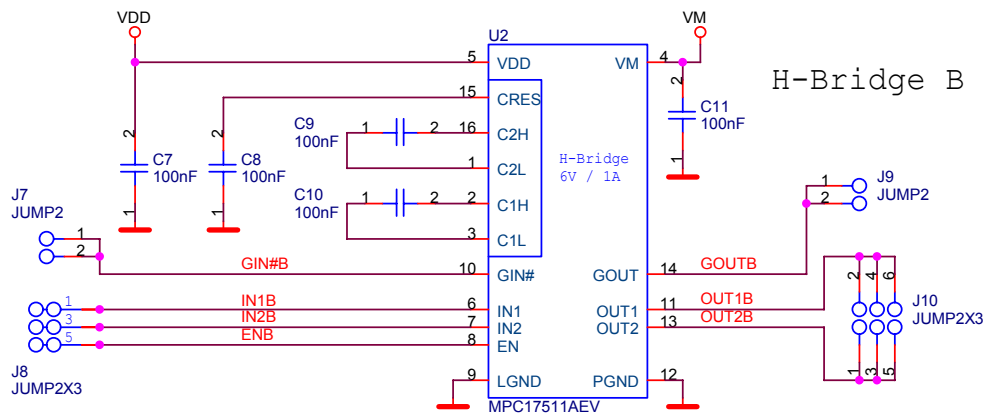
MECHANICAL



H-Bridge A



H-Bridge B



EN	IN2	IN1	OUT2	OUT1	FUNCTION
L	X	X	L	L	BRAKE
H	L	L	Z	Z	OFF
H	L	H	L	H	FORWARD
H	H	L	H	L	REVERSE
H	H	H	L	L	BRAKE

EN	GIN#	GOUT	FUNCTION
L	X	L	OFF
H	L	H	ON
H	H	L	OFF