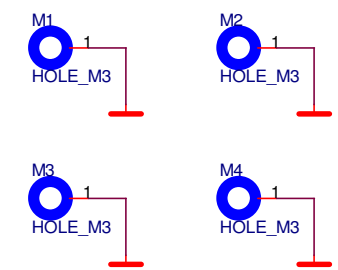
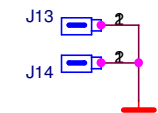
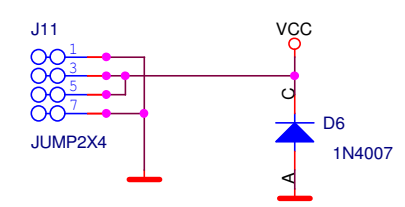
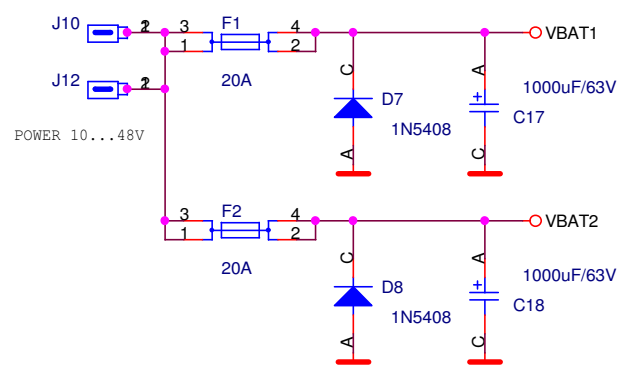
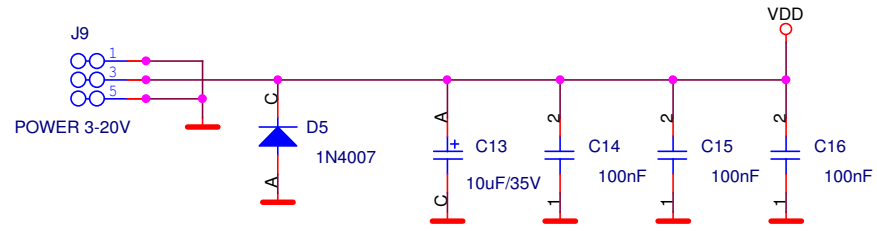
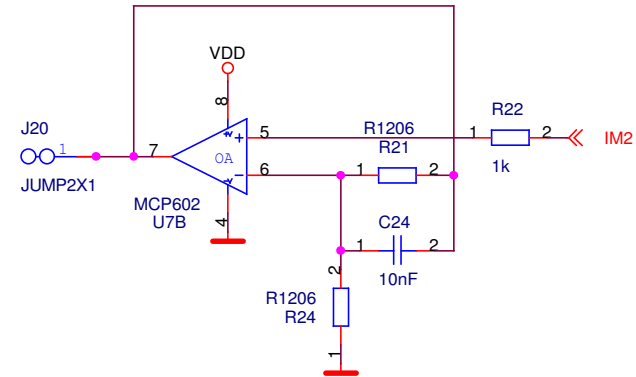
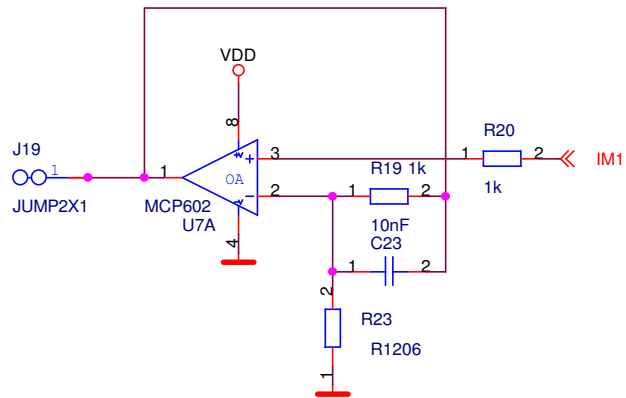
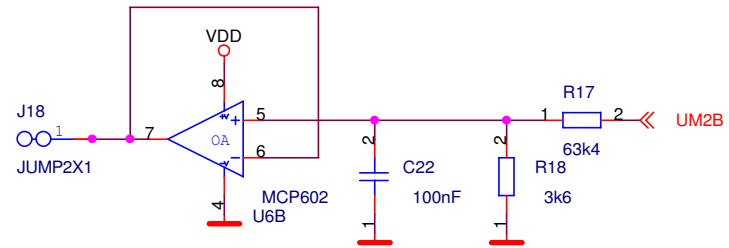
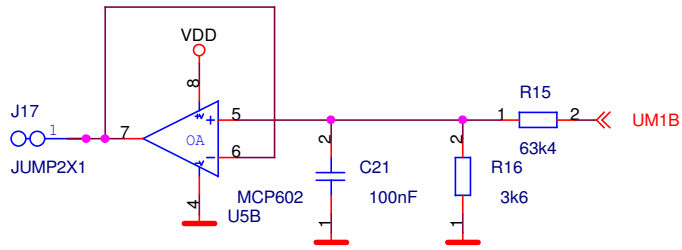
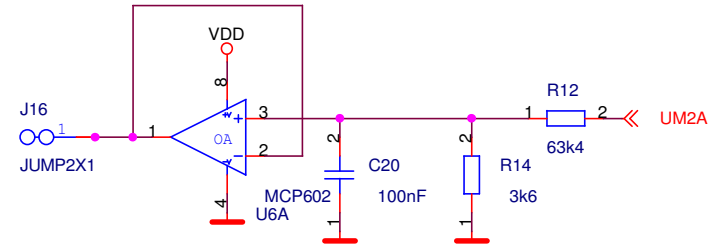
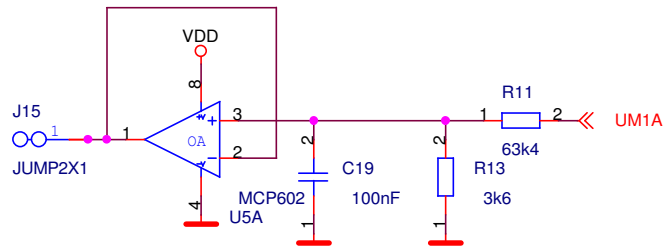


Firma		Author	
MLAB		Kaklik	
Size	Project Name	Schematic Name	Rev
A4	HB2FET02A	HBRIDGE	A
Date:	Monday, September 03, 2007	Sheet	1 of 3



Firma		Author	
MLAB		KAKLIK	
Size A4	Project Name HB2FET02A	Schematic Name POWER	Rev A
Date:	Monday, September 03, 2007	Sheet	2 of 3



Firma		Author	
MLAB		KAKLIK	
Size	Project Name	Schematic Name	Rev
A4	HB2FET02A	SENSORS	A
Date:	Monday, September 03, 2007	Sheet	3 of 3